



# MACK CUSTOMER ADAPTION CENTER / CAC

**Section 1 - MRU Twin & Tri-Steer Chassis Arrangements**

**Section 2 - GU8 80" Twin Steer**

**Section 3 - Mechanical All-Wheel Drive – GU, GU MHD, MRU**

**Section 4 – Split-Shaft PTOs (for compressors, drilling rigs, etc.)**



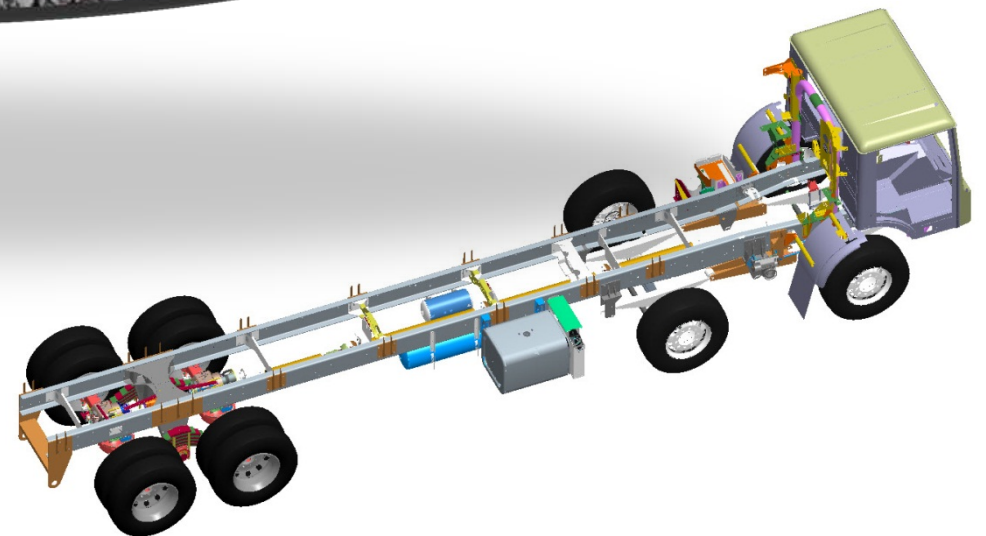
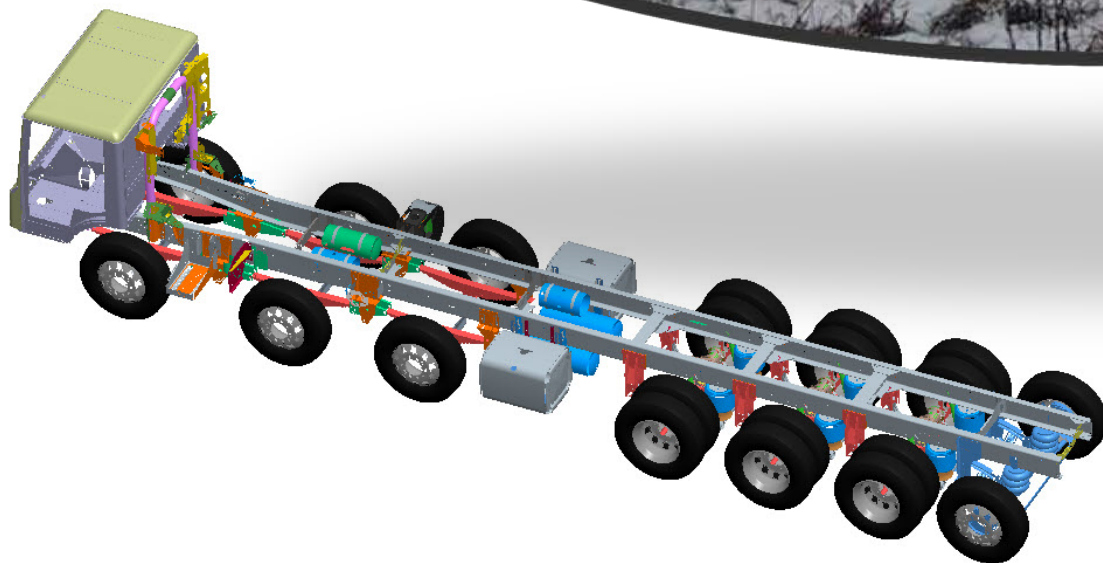
# MACK CUSTOMER ADAPTION CENTER / CAC

## Section 1

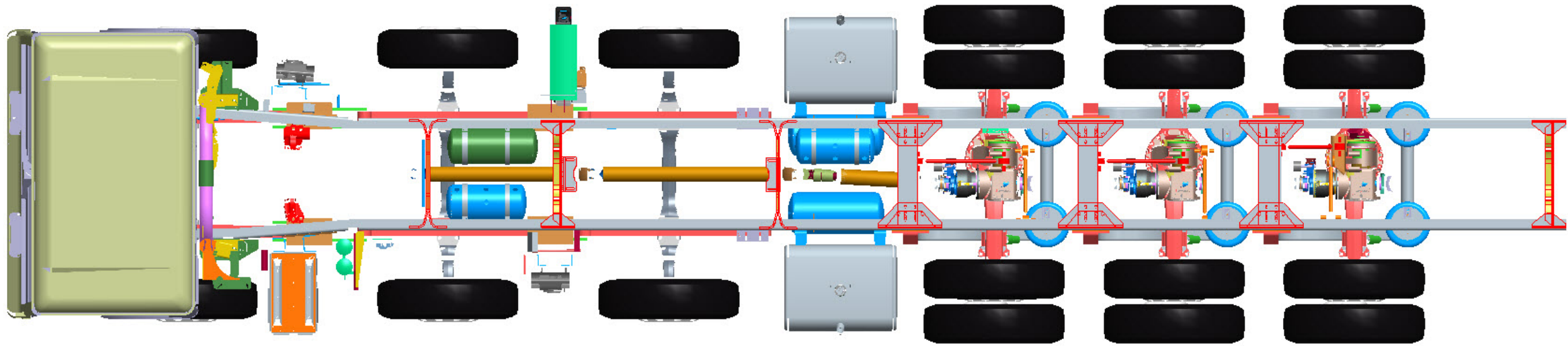
### MRU Twin & Tri-Steer Chassis Arrangements

- Built with equalizing suspensions
- Steer axle spacing from 62" thru 96"
- Installations covered by Mack Factory warranty

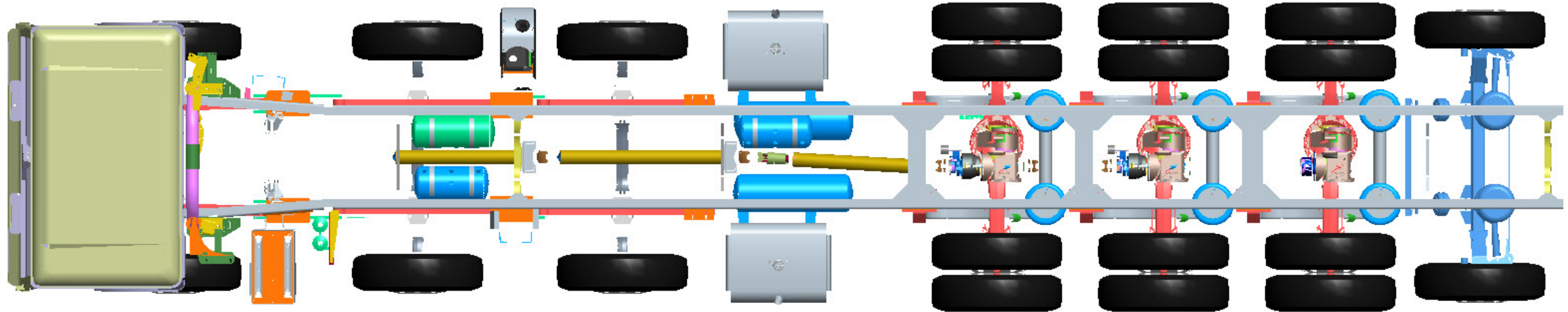
# MRU Twin & Tri-Steer Chassis Arrangements



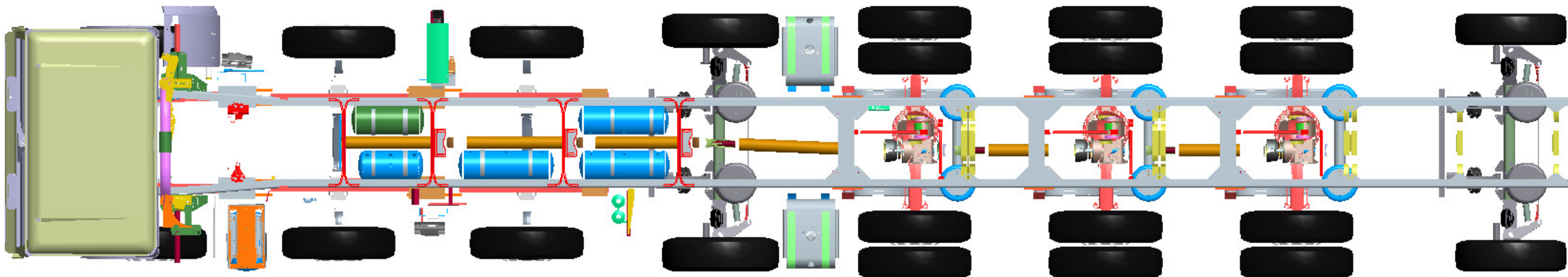
MRU TRI-STEER 78"/66" w/54" TRI-DRIVE w/TWIN 80 GAL. FUEL TANKS



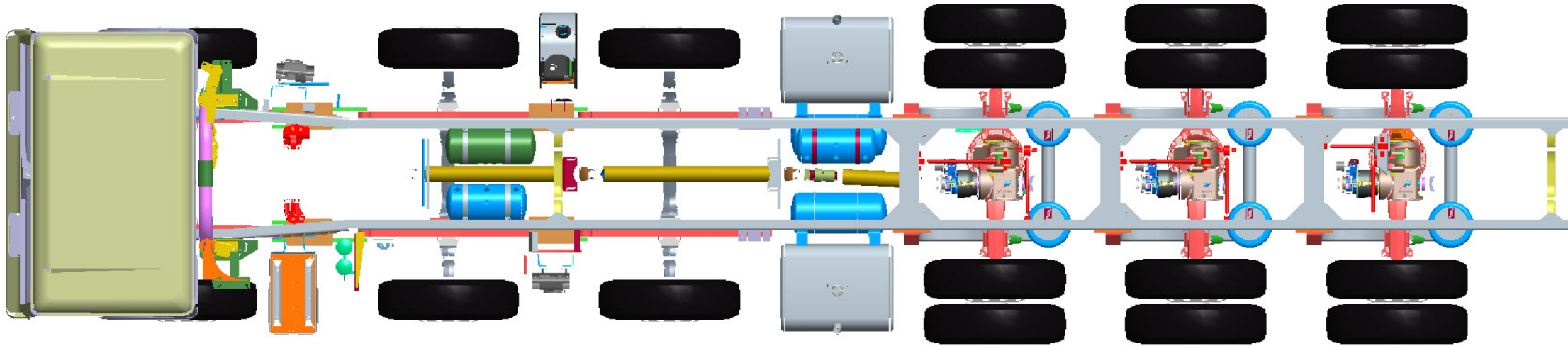
MRU TRI-STEER 78"/66" w/54" TRI-DRIVE w/48" SCV LIFT AXLE & TWIN 80 GAL. FUEL TANKS



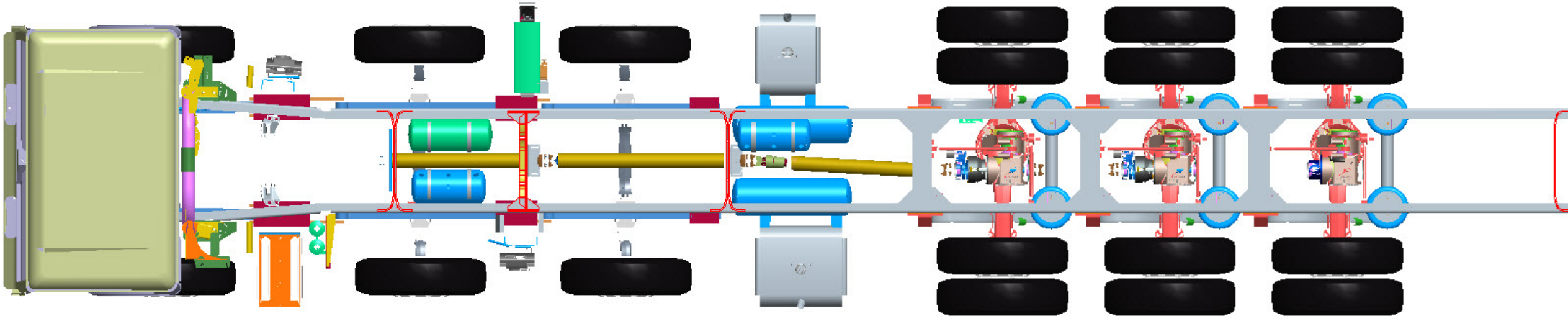
MRU TRI-STEER 70"/70" w/71" TRI-DRIVE w/TWIN 50 GAL. FUEL TANKS w/SCV20C PUSHER & TAG AXLES



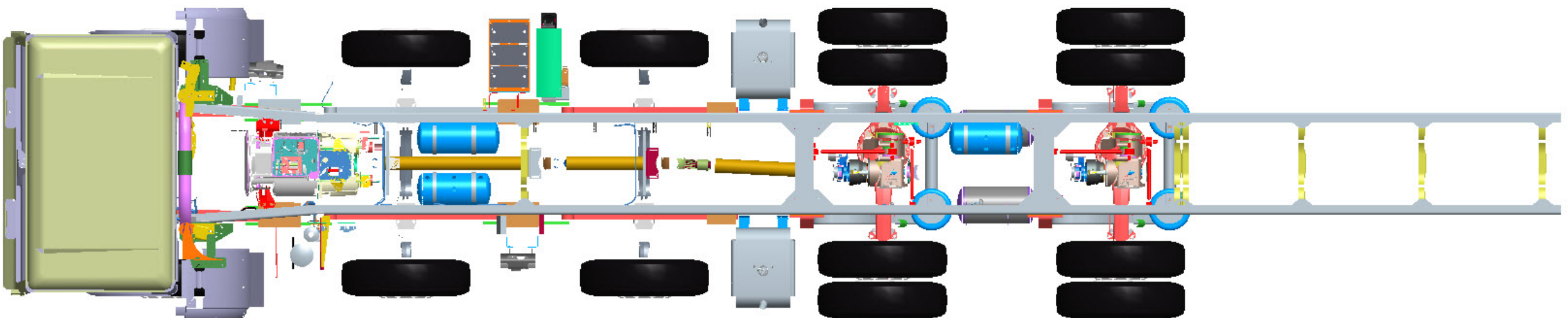
MRU TRI-STEER 78"/66" w/60" TRI-DRIVE w/TWIN 80 GAL. FUEL TANKS



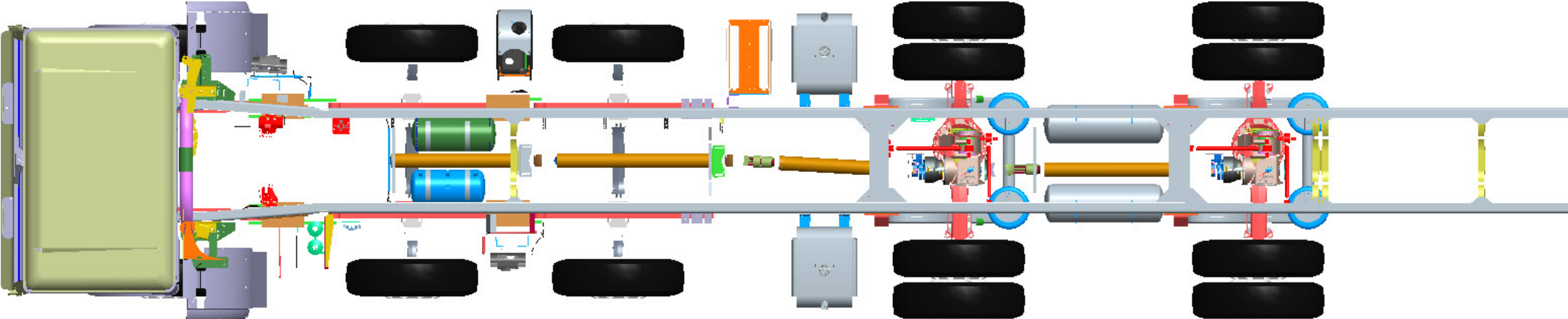
MRU TRI-STEER 80"/66" w/54" TRI-DRIVE w/265L L.H FUEL TANK & 190L RH FUEL TANK



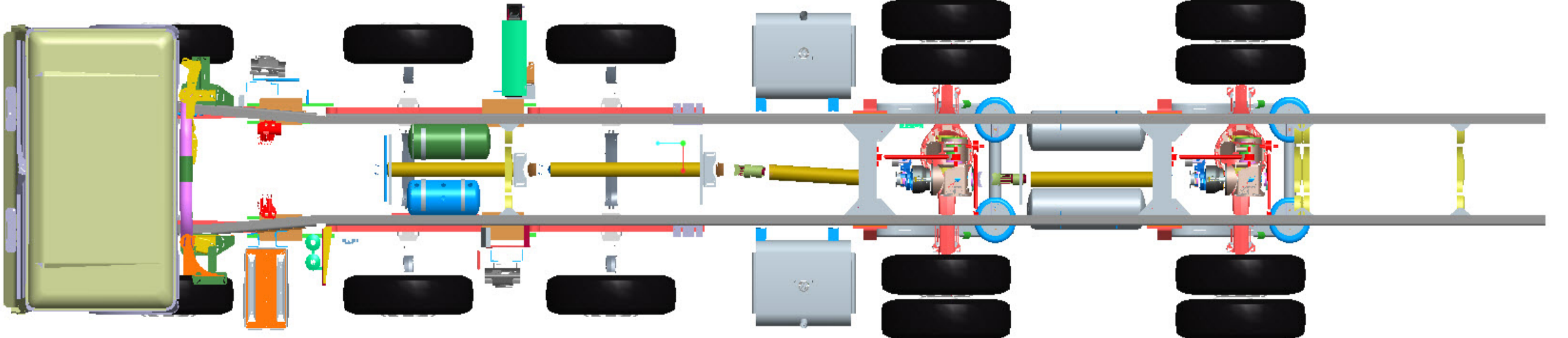
MRU TRI-STEER 78"/78"/78"/78" BS, TWIN 50 GL FUEL TANKS



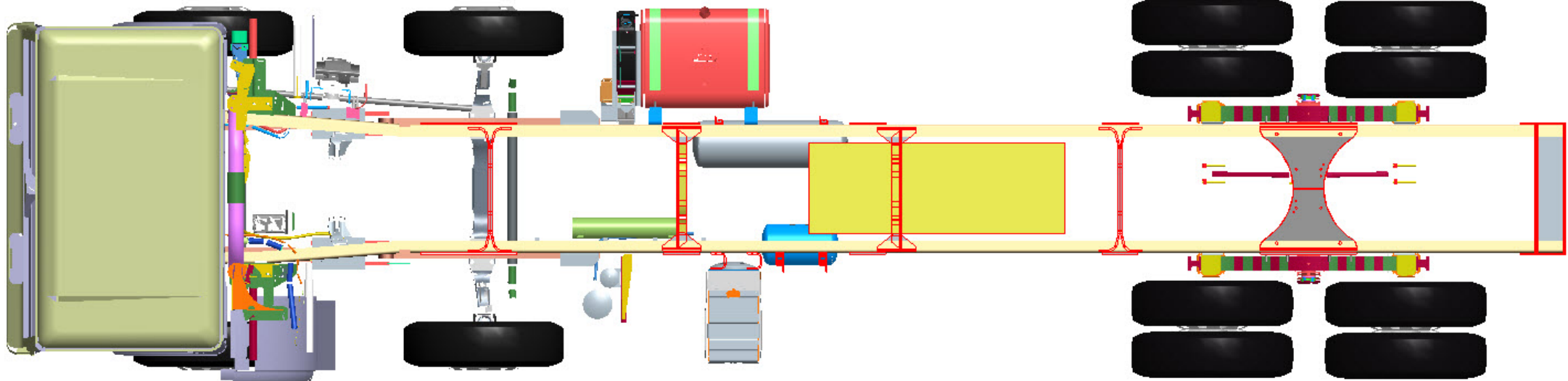
MRU TRI-STEER 78"/66" w/96" BS w/TWIN 50 GAL. FUEL TANKS



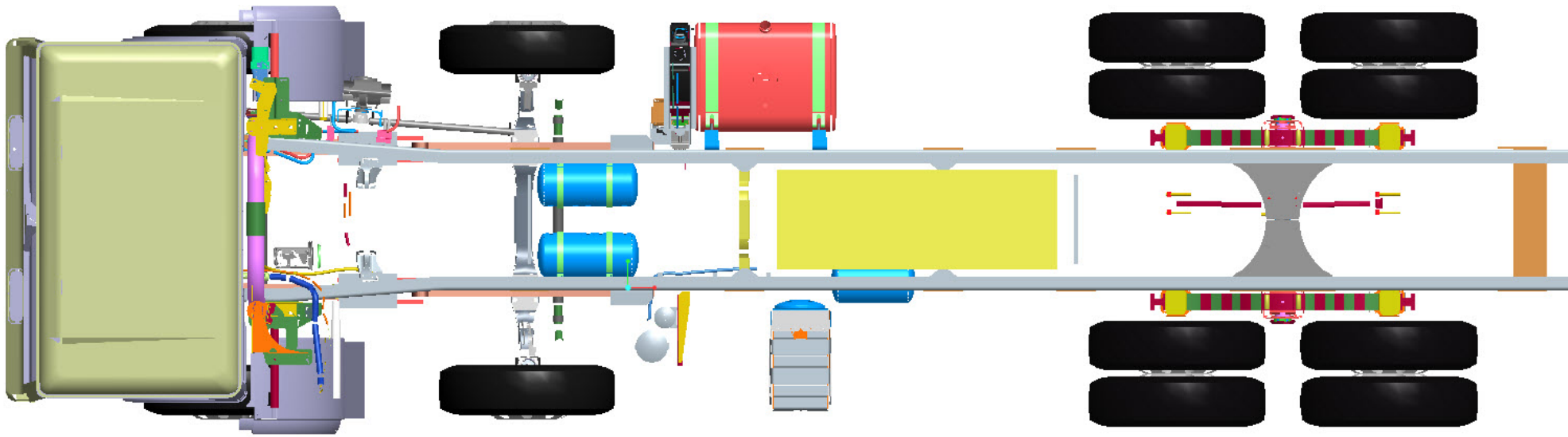
MRU TRI-STEER 78"/66" w/96" BS w/TWIN 80 GAL. FUEL TANKS



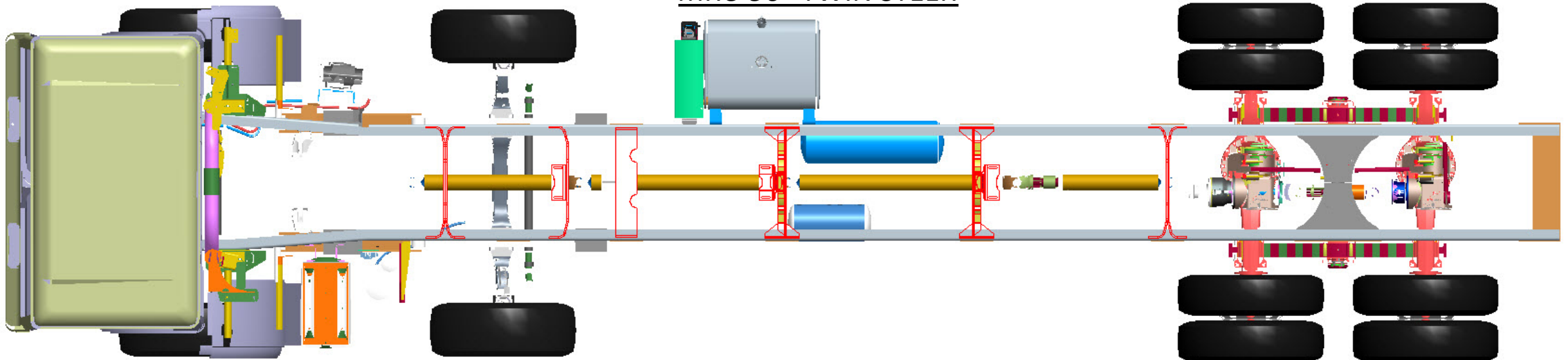
MRU 70" TWIN STEER



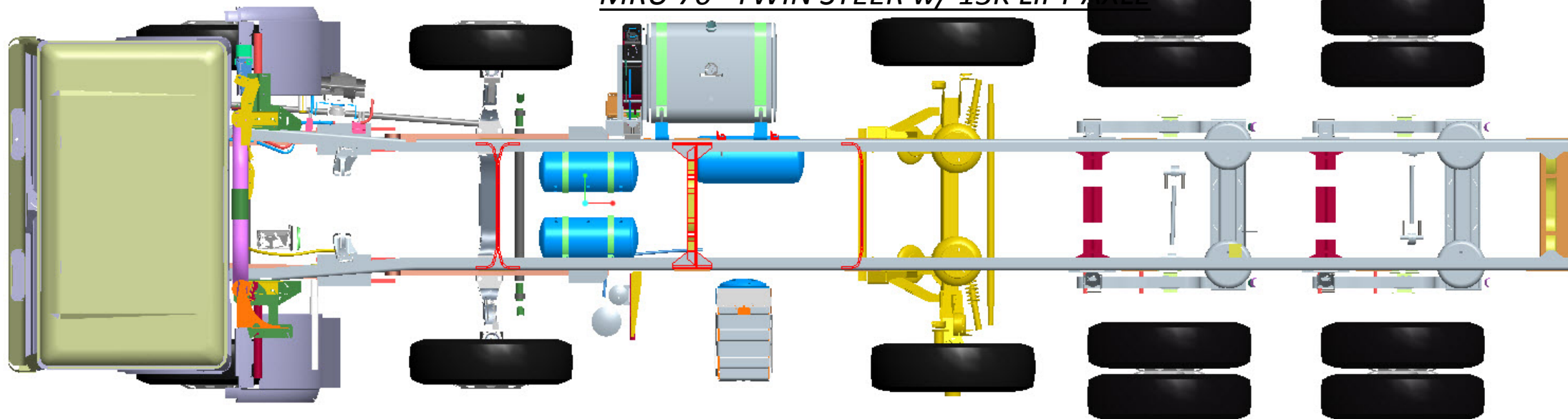
MRU 70" TWIN STEER



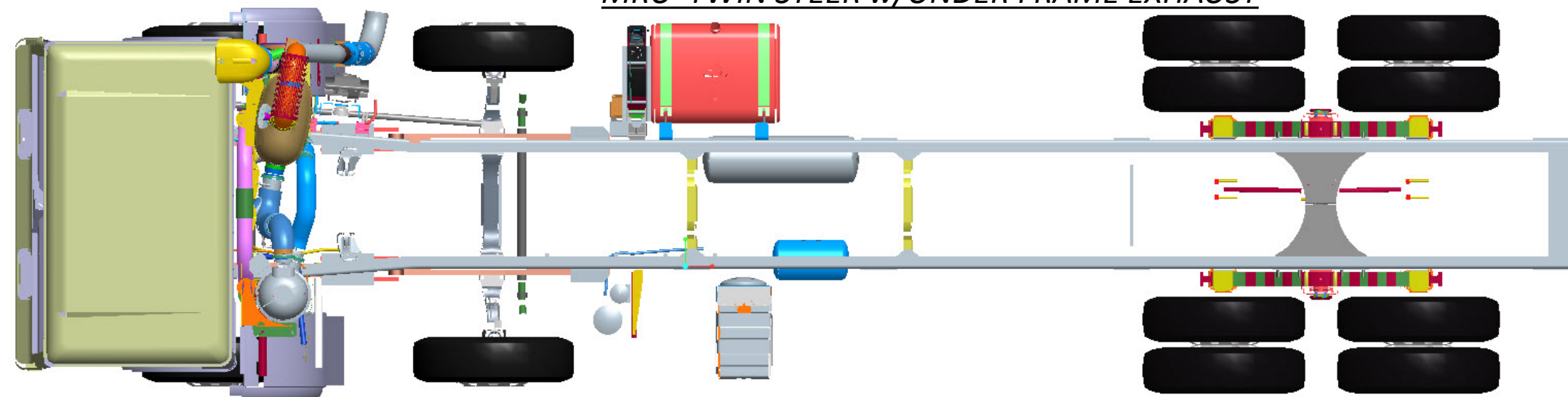
MRU 90" TWIN STEER



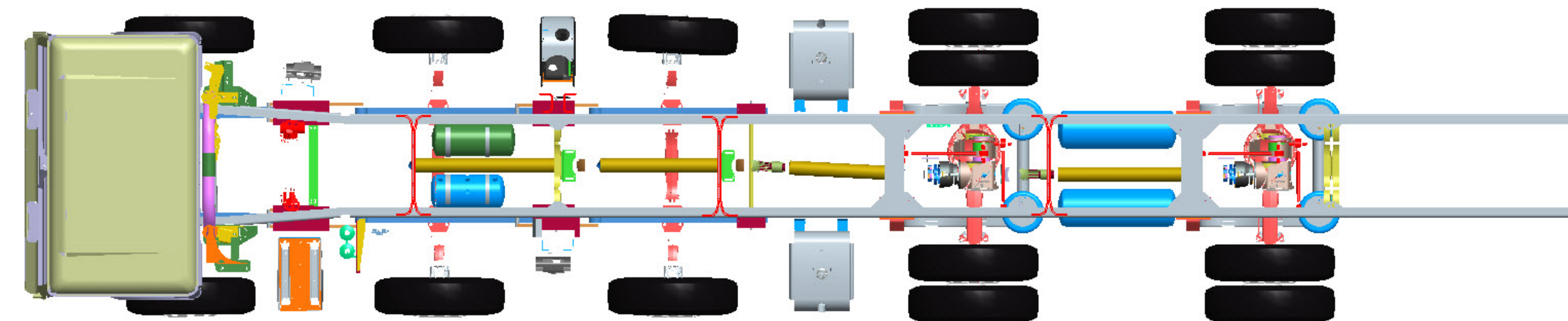
MRU 70" TWIN STEER w/ 13K LIFT AXLE



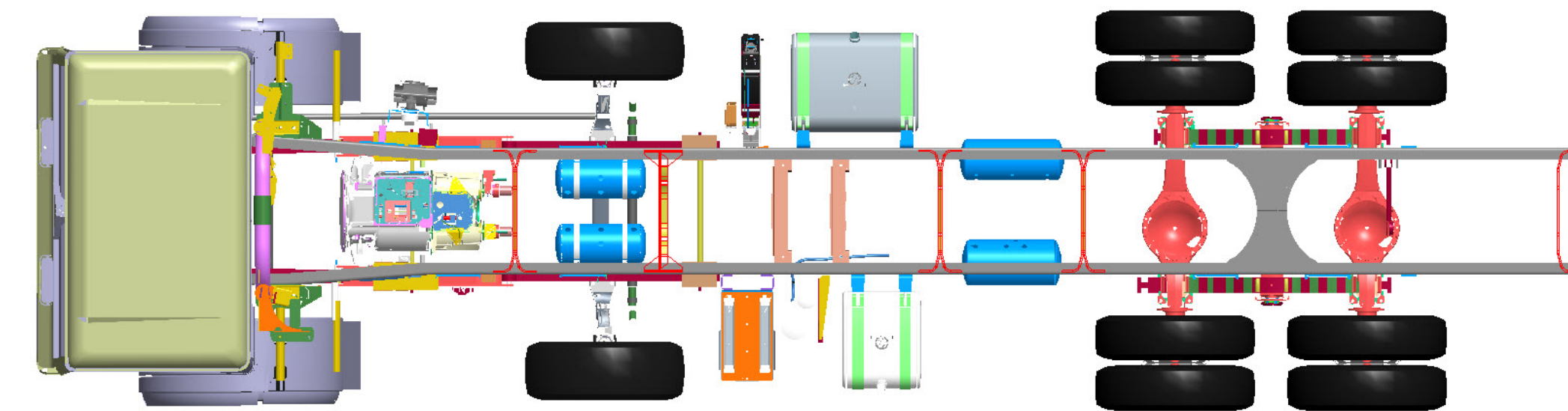
MRU TWIN STEER w/UNDER FRAME EXHAUST



MRU TRI STEER 80"/76" W/96" B.S. w/190L RH & LH FUEL TANKS

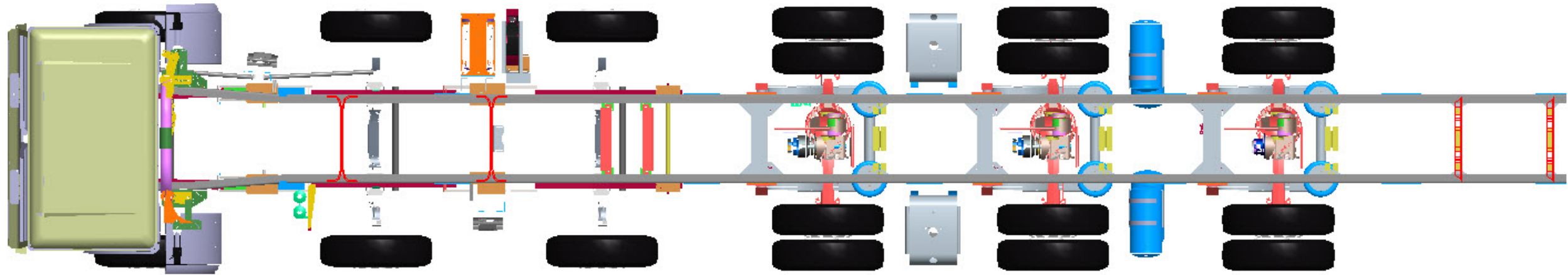


MRU 96" TWIN STEER

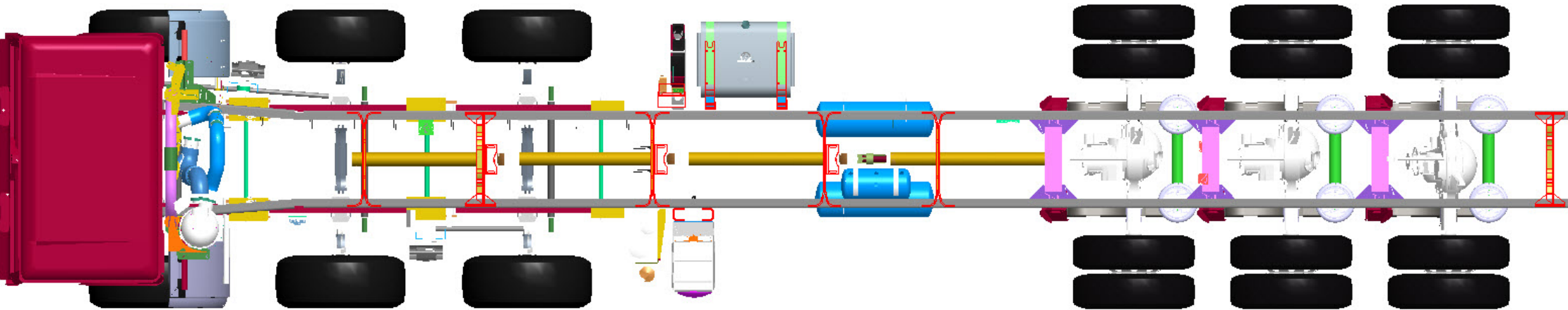




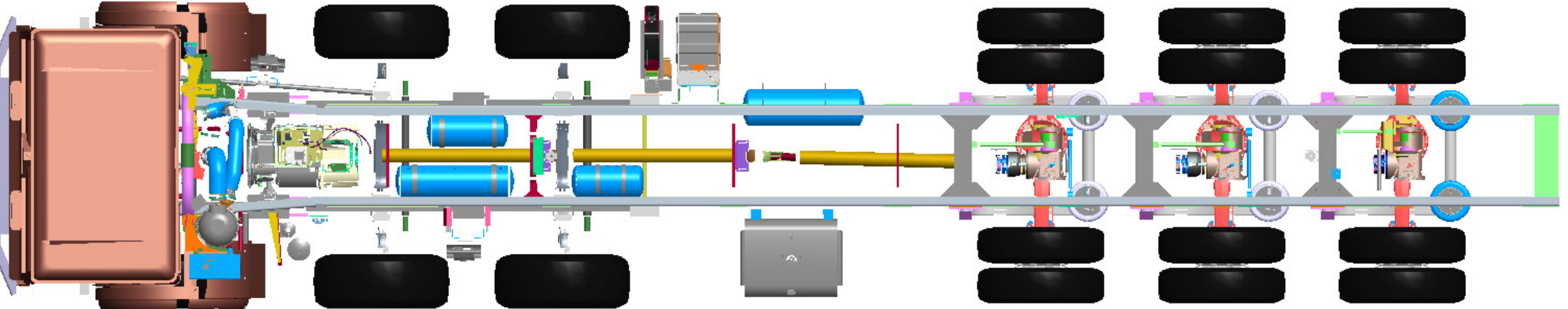
MRU TRI-STEER 85"/85" TRI-DRIVE 85" SPACING



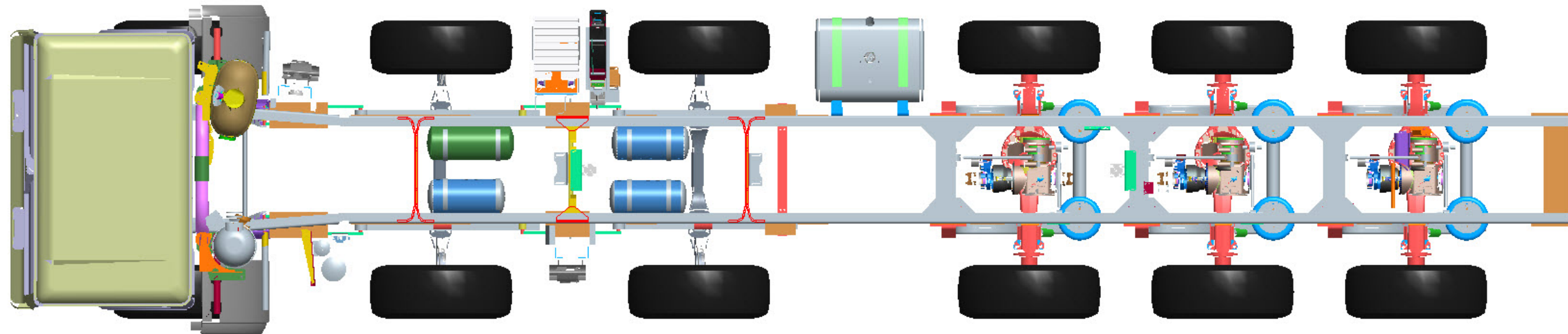
MRU TRI-STEER 64"/64" TRI-DRIVE 54" SPACING



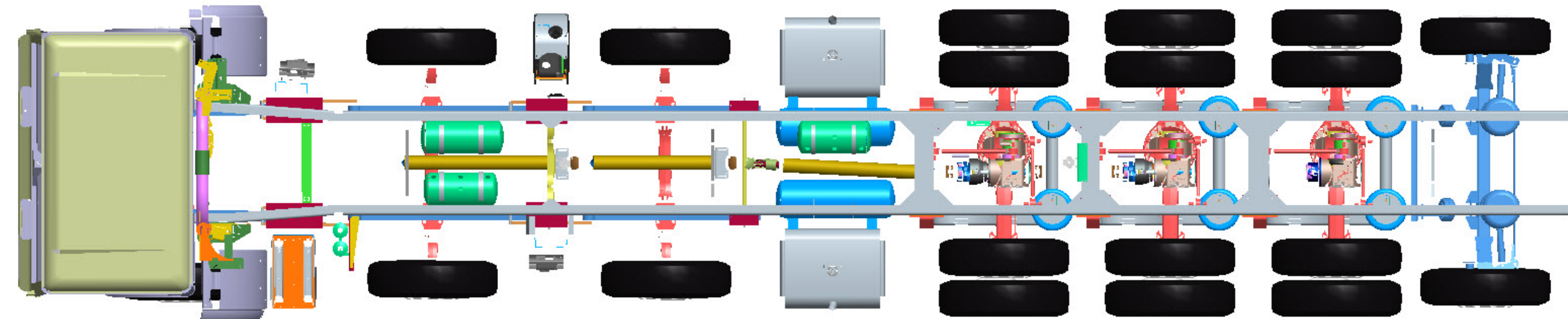
MRU TRI-STEER 70"/60" TRI-DRIVE 60" SPACING



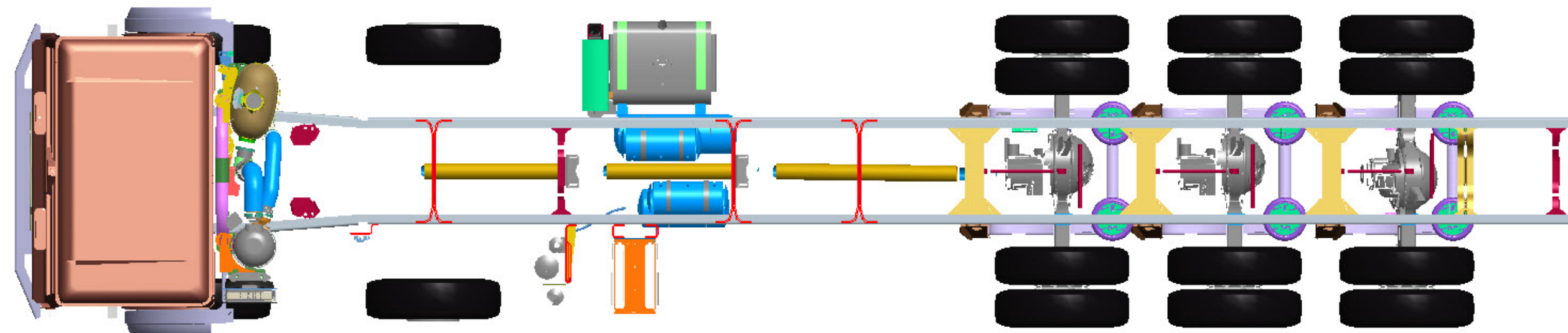
MRU TRI-STEER 80"/80" w/60" TRI DRIVE 80 GAL RH FUEL TANK



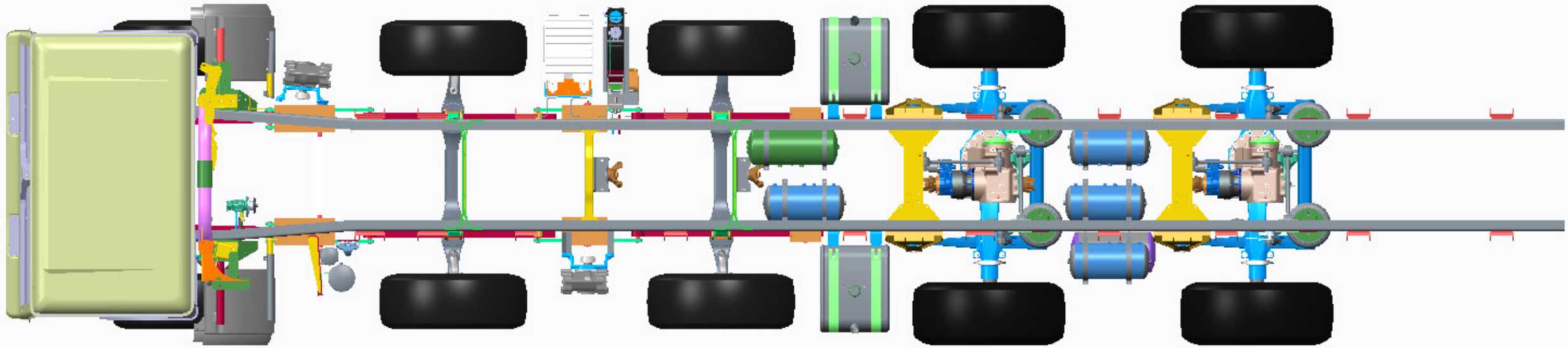
MRU TRI-STEER 80"/76" w/54" TRI DRIVE 80 GAL RH FUEL TANK



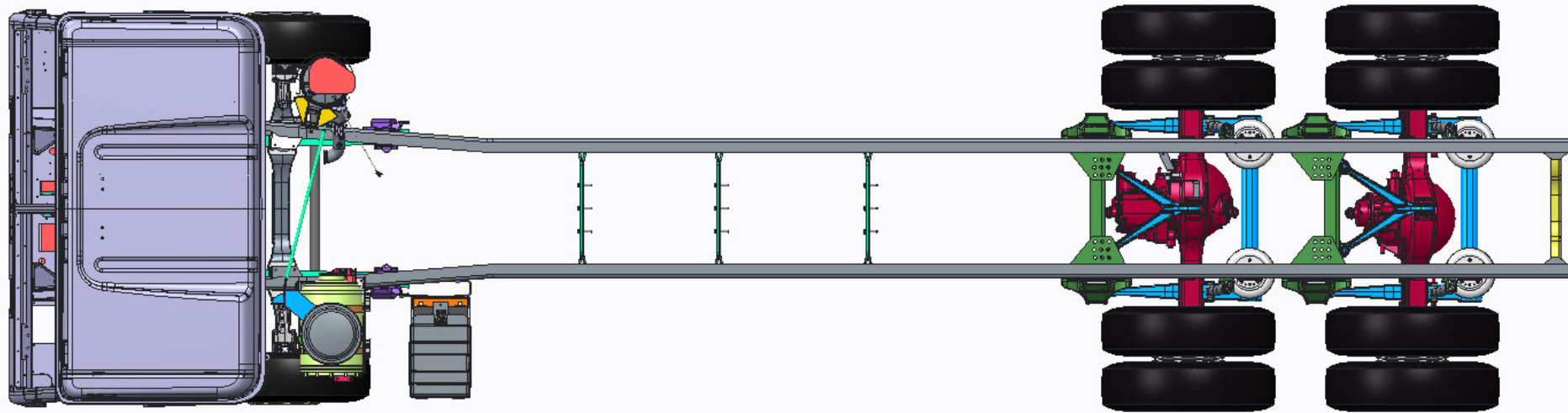
MRU 72" TWIN STEER w/54" TRI-DRIVE



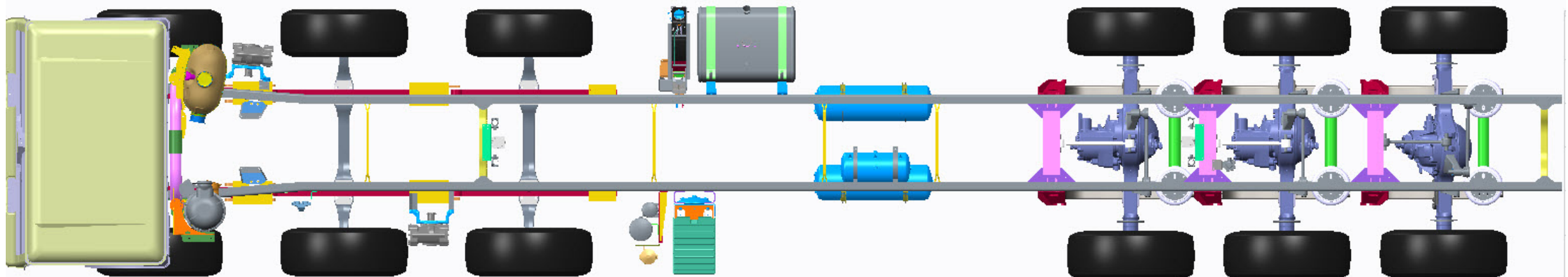
MRU TRI-STEER 80"/80"/80" BS, w/ADZ REAR SUSPENSION,TWIN 50 GL FUEL TANKS



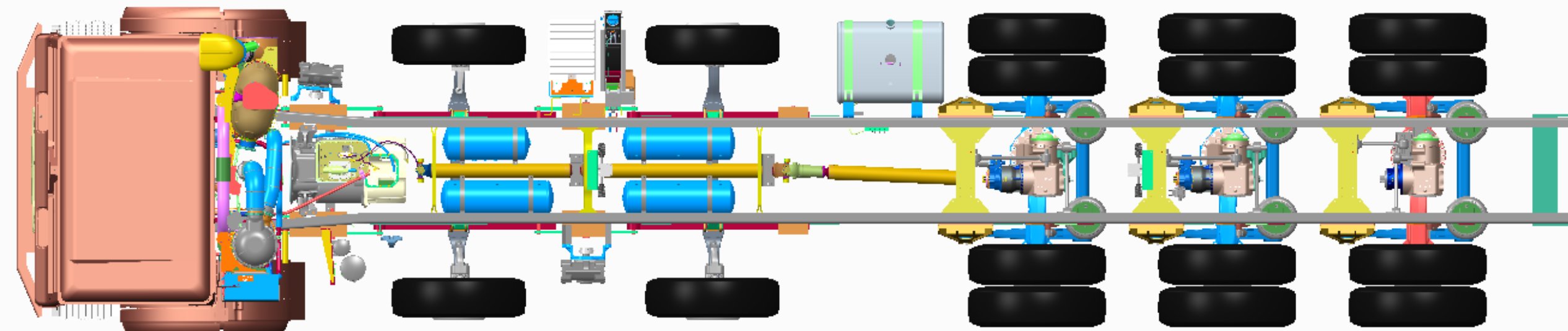
LR /w 54" BS, w/ADZ 10" REAR SUSPENSION



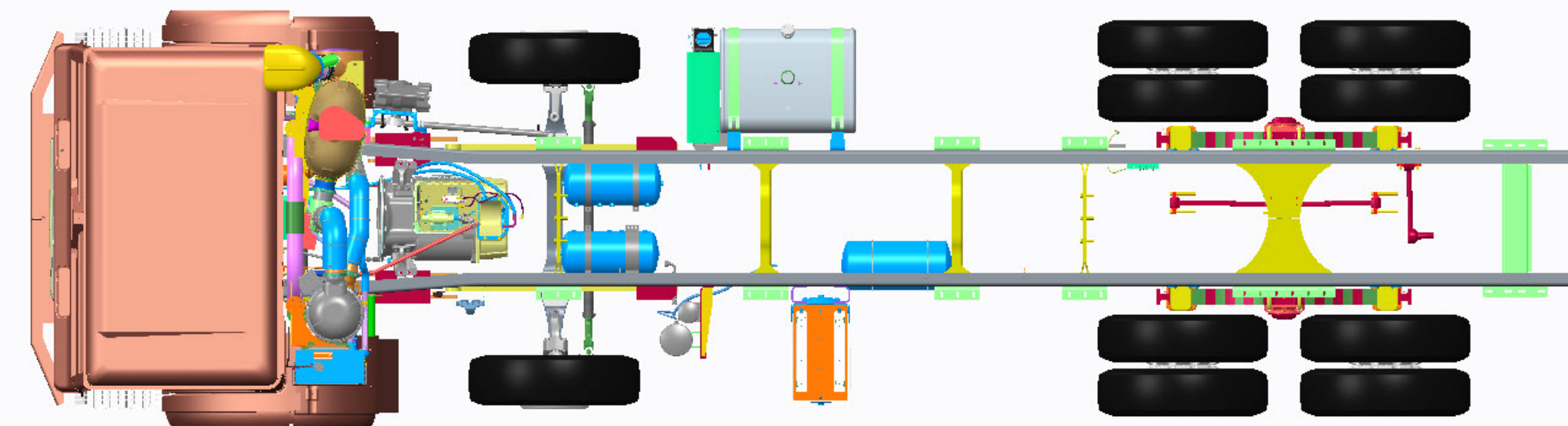
MRU TRI-STEER 64"/64" TRI-STEER/54" TRI-DRIVE, w/ 80 GL RH FUEL TANKS



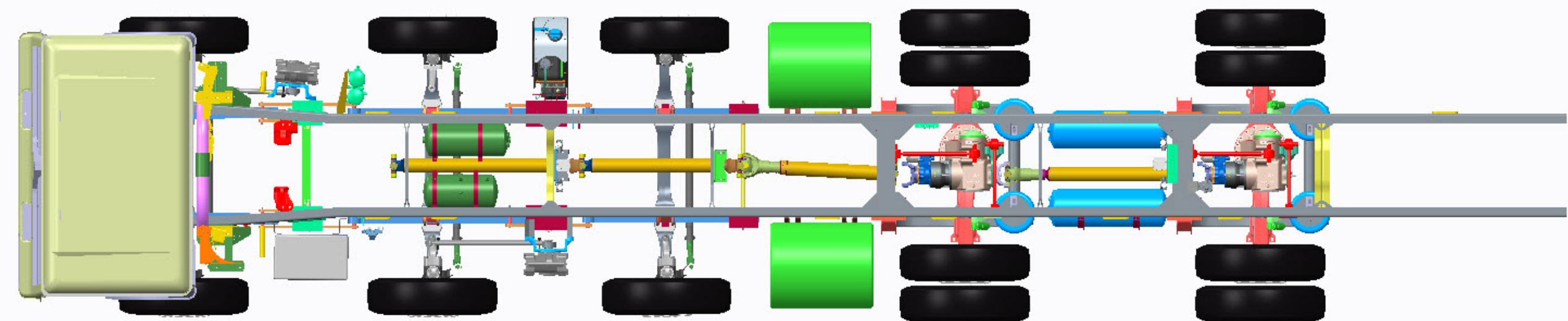
MRU TRI-STEER 80/80 w/60/60 ADZ TRI-DRIVE, 80 GAL. RH FUEL TANK



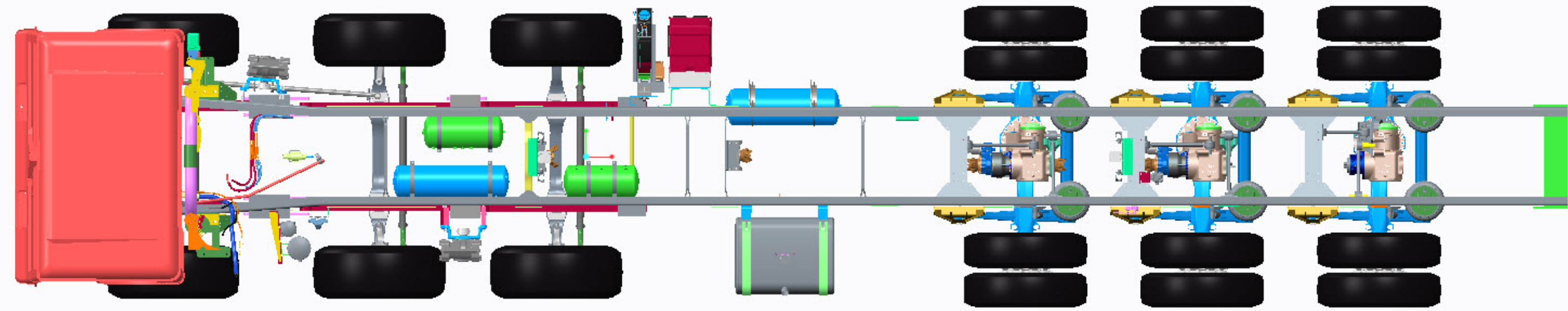
MRU 70" TWIN STEER, w/TAPER LEAF SPRINGS, 80 GAL. RH FUEL TANK



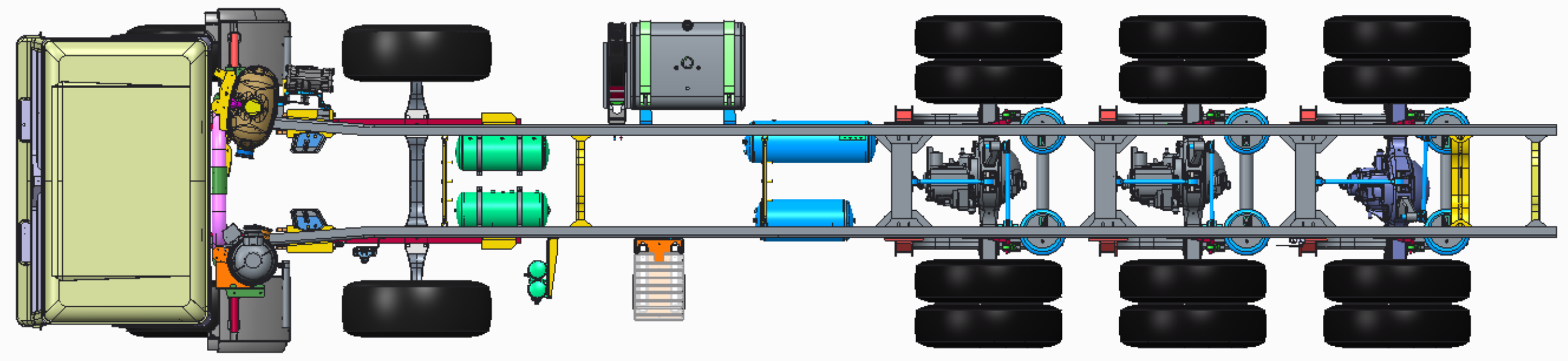
MRU 80"/76" TRI-STEER w/96" BOGIE DRIVE w/ TWIN 80 GAL. ROUND FUEL TANKS



MRU - 70/60 TRI-STEER w/60/60 ADZ TRI-DRIVE, 80 GAL. LH FUEL TANK



MRU - 64" TWIN STEER w/60/ TRI-DRIVE, 80 GAL. RH FUEL TANK





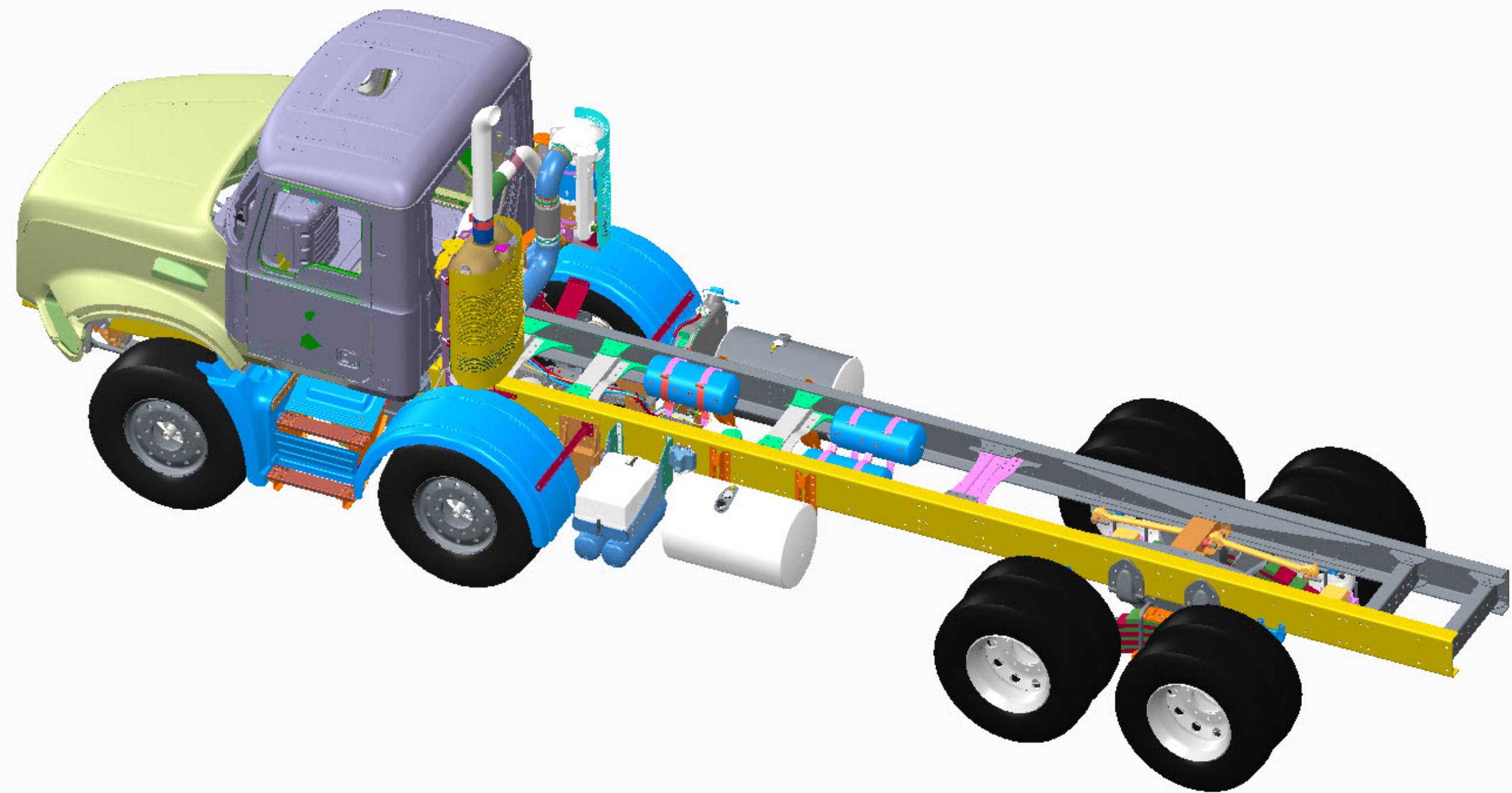
# MACK CUSTOMER ADAPTION CENTER / CAC

## Section 2

### GU8 80" Twin Steer

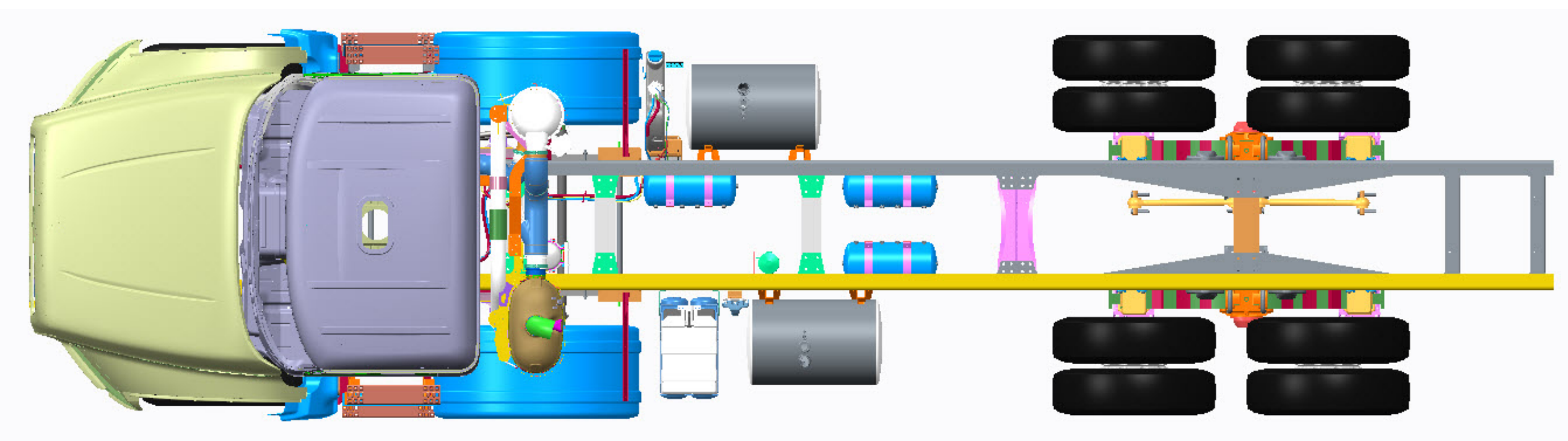
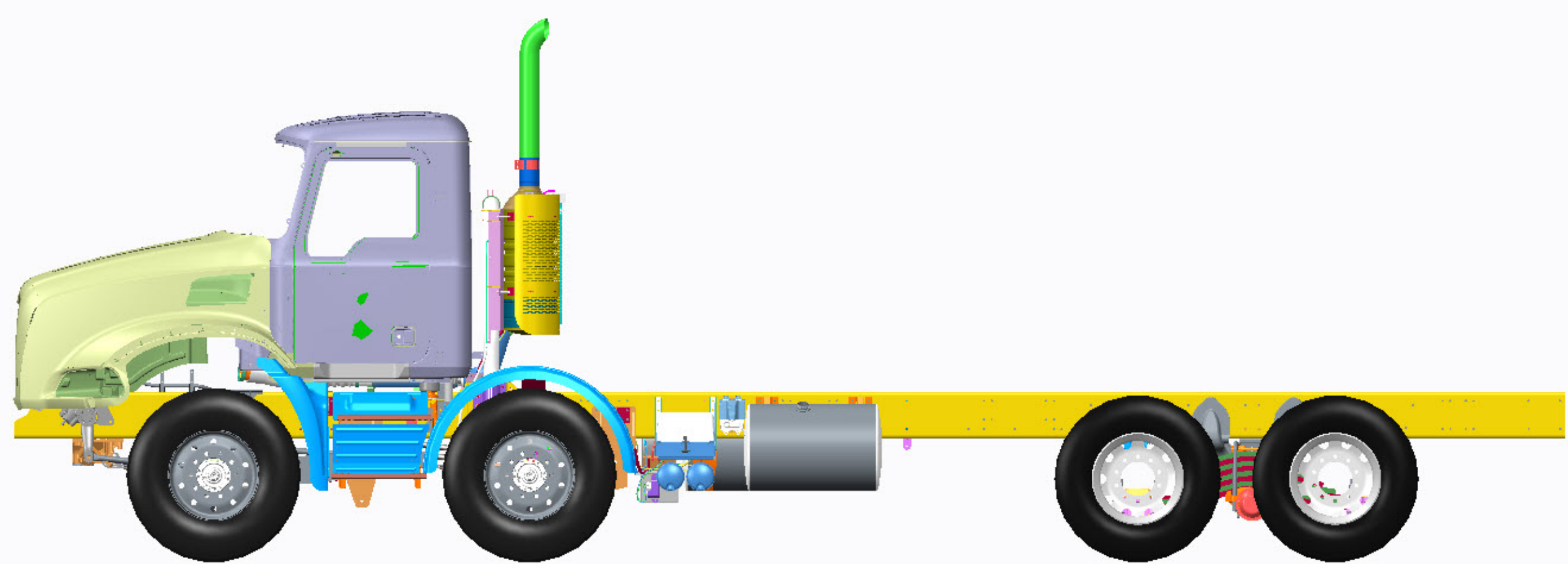
- GU8 model only
- Built on equalizing suspensions
- Can be used with ClearTech One frame mounted system or VBOC
- Also, offer GU8 88" Twin Steer (Export)
- Installations covered by Mack Factory Warranty

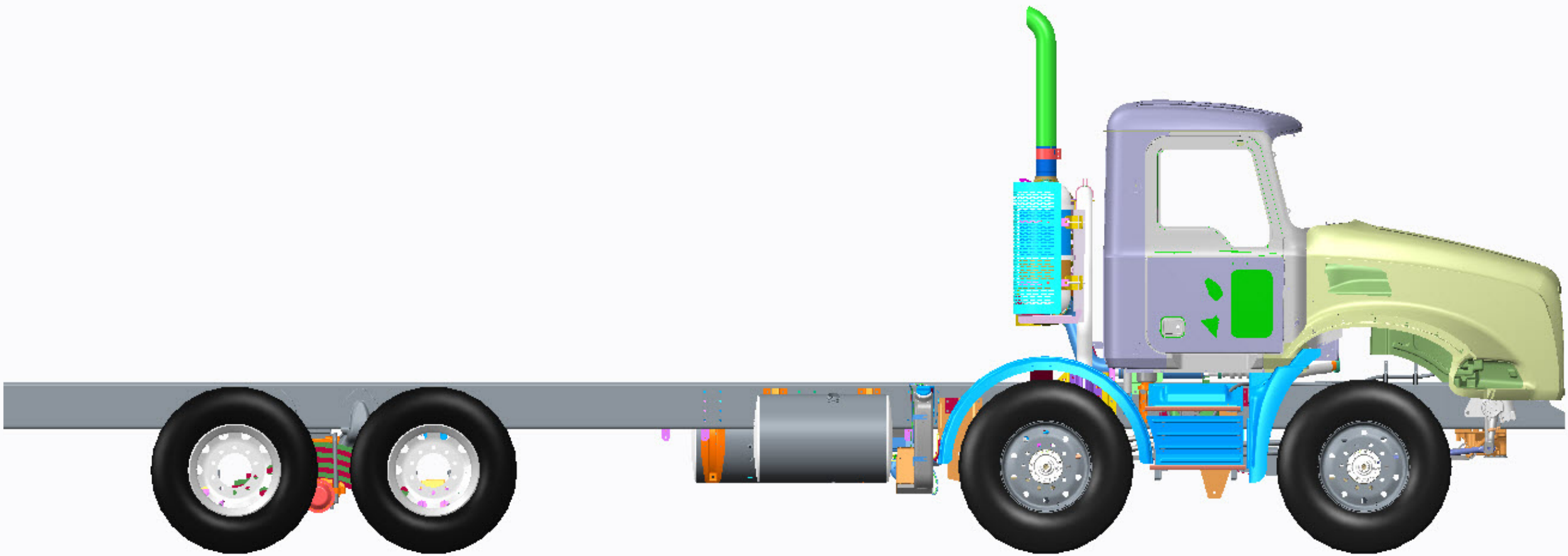
GU8 80" Twin Steer w/Cleartech DPF0106 Exhaust











# MACK CUSTOMER ADAPTION CENTER / CAC

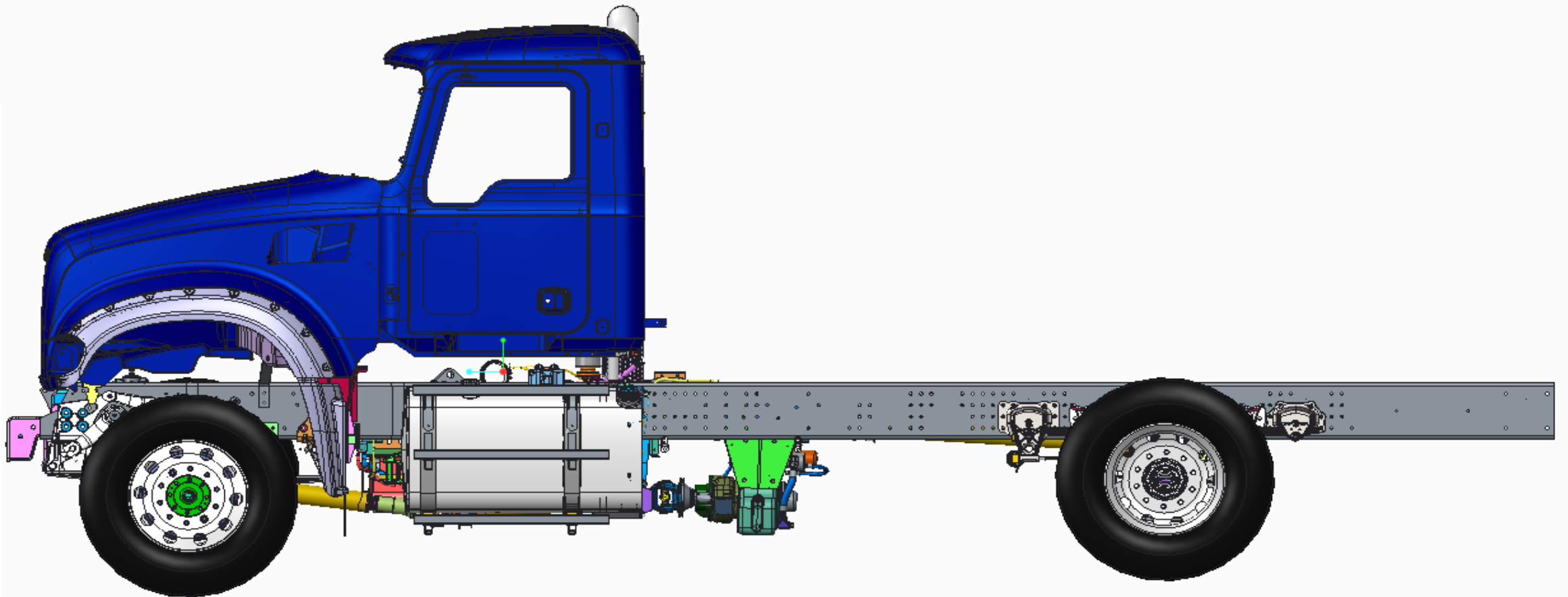
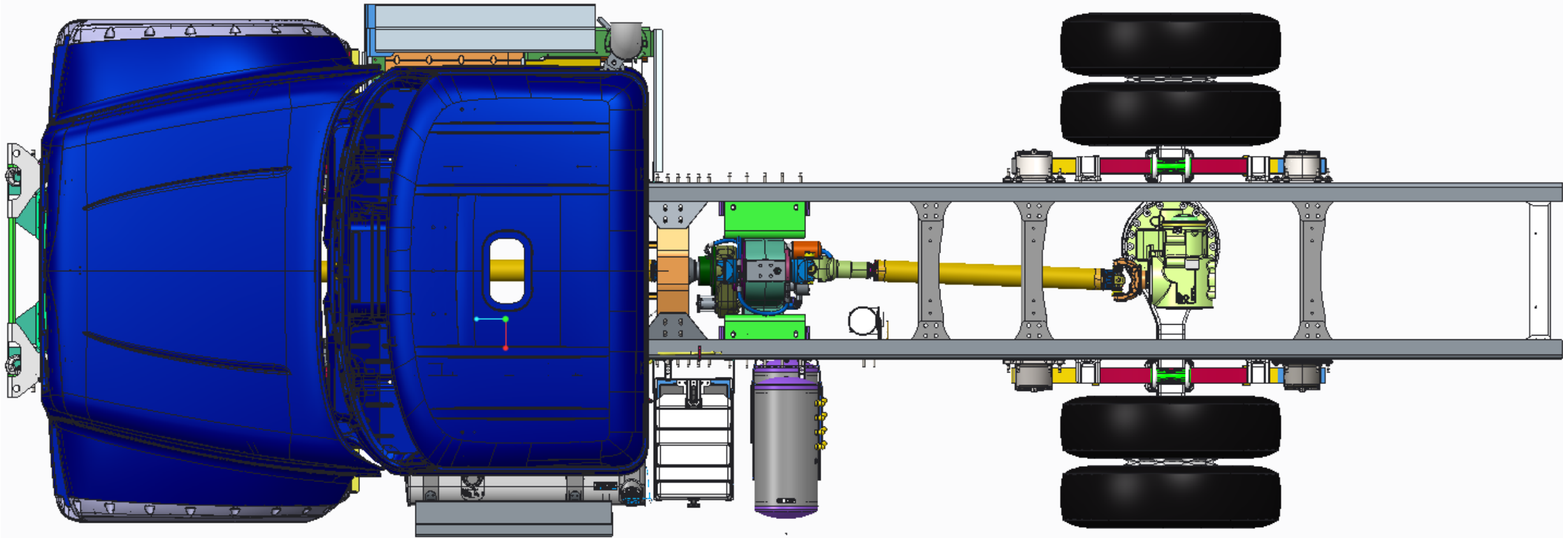


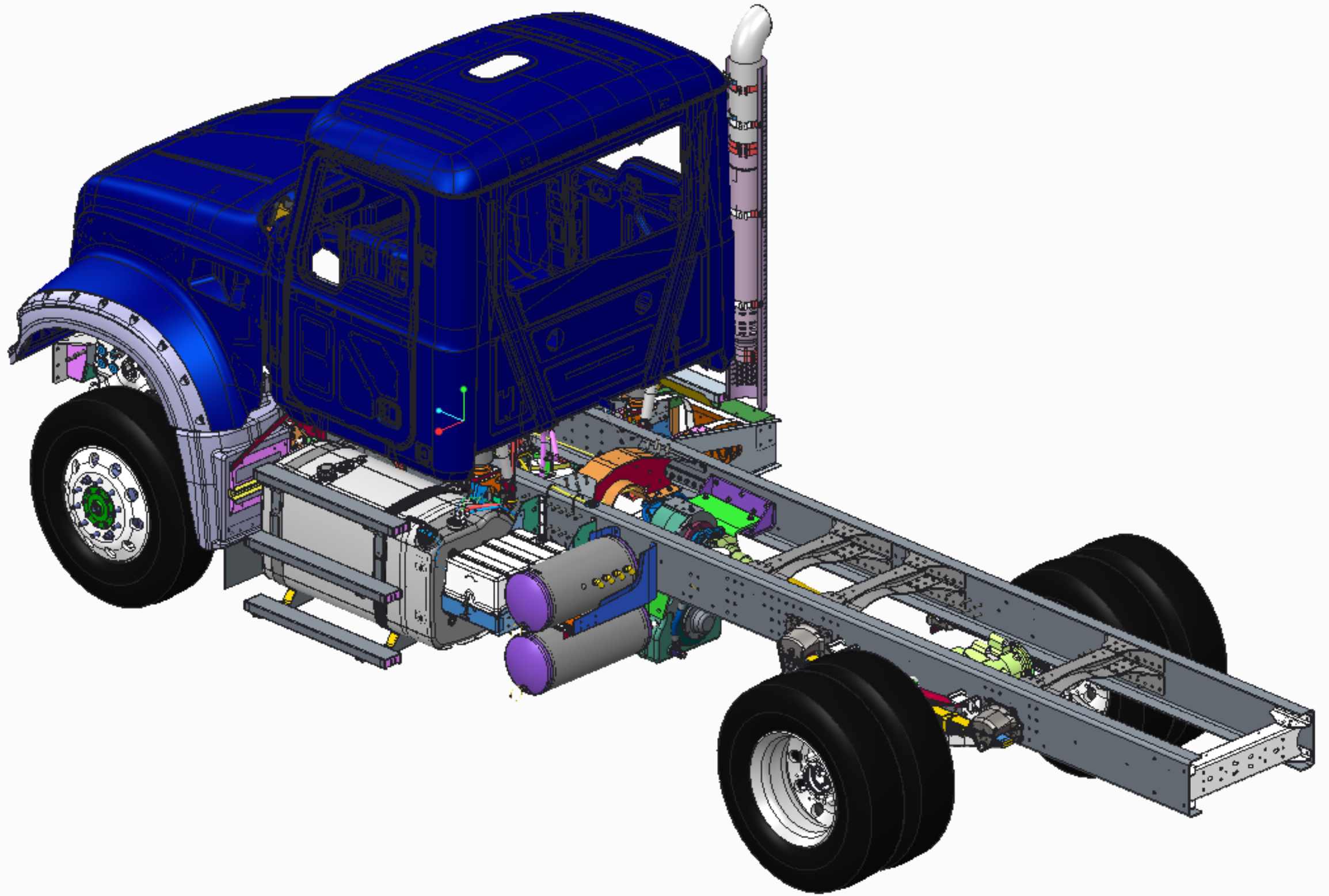
## Section 3

### Mechanical All-Wheel Drive – GU, GU MHD, MRU

- 4X4, 6x6, and 8X8 (with Tri-drive)
- Uncut Standard Frame Rails
- Low Top of Frame Height compared to other AWD chassis
- No Unused Frame Holes
- Single and 2-Speed Transfer Cases
- 12K to 23K Driving Front Axles
- MP7, MP8, and Cummins ISL Engines
- GU5 (axle back), GU7 (axle forward), GU8 (axle back), GU MHD, MRU
- Installations covered by Mack Factory Warranty

# All-Wheel Drive – GU712





*GU813 AWD*



*GU713 AWD Plow, Wing Plow, Belly Plow, Spreader*



*GU713 AWD Plow, Wing Plow, Belly Plow, Spreader*





*GU713 AWD Plow, Wing Plow, Belly Plow, Spreader*



*GU713 AWD*



*GU812 AWD*



# *GU813 AWD*



# GU713 AWD



# MRU613 AWD



*GU712 AWD*





# MACK CUSTOMER ADAPTION CENTER / CAC

## Section 4

### *Split-Shaft PTOs (for compressors, drilling rigs, truck-mounted vacuum pumps, etc.)*

- Installations covered by Mack Factory warranty



# MACK CUSTOMER ADAPTION CENTER / CAC



*For requests or quotes, please contact  
[support.customeradaptationcenters@macktrucks.com](mailto:support.customeradaptationcenters@macktrucks.com)*

*Thank you*