



Power Take-off (PTO)

This information provides specifications for Power Take-off (PTO) applications in MACK vehicles.

Note: We have attempted to cover as much information as possible. However, this information does not cover all the unique variations that a vehicle chassis may present. Note that illustrations are typical but may not reflect all the variations of assembly.

All data provided is based on information that was current at time of release. However, **this information is subject to change without notice.**

Please note that no part of this information may be reproduced, stored, or transmitted by any means without the express written permission of MACK Trucks, Inc.

Note: Vehicles built on or after January 1, 2021 will have VECU5.

Contents:

- “Overview”, page 3
 - “General”, page 3
 - “PTO Speed Functions”, page 4
 - “SIB Switch Instructions for Remote PTO Operation (VECU)”, page 5
 - “Power Take-off Types”, page 9
 - “mDRIVE Power Take-off”, page 11
- “Transmission-mounted PTO”, page 11
 - “Transmission-mounted PTO”, page 12
 - “Power Take-off (PTO), Installation (mDRIVE)”, page 22
- “Rear-mounted Engine PTO”, page 30
- “Front-mounted Engine PTO”, page 38
- “Hydraulic Pumps”, page 44

- “Supplier PTO/Pump Literature”, page 77
- “PTO Programming”, page 86
- “Parameter Programming”, page 100
 - “General”, page 100
 - “Programming”, page 102
 - “Examples”, page 119
 - “Trash Packer – PTO Single Speed Control”, page 119
 - “Trash Packer – PTO with Secondary Enable”, page 120
 - “Hand Throttle PTO 0 as Low Speed “Cruise Control””, page 121
 - “Concrete Pumper - Driveshaft PTO with Limits”, page 122
 - “Line Painter – PTO Road Speed Limit”, page 123
 - “Line Painter – PTO Set Road Speed”, page 124
 - “Dump Truck – Configuring “Hand Throttle” PTO 0”, page 125
 - “Trash Container Truck – Limits for PTO”, page 126
 - “Two Speed Control for Driveshaft PTO”, page 127
- “Rolling Start for mDRIVE: New Generation AMT-F ”, page 128
- “mDRIVE Auto Neutral”, page 129
- “Standard Settings”, page 129
- “Installation of Single and Double PTOs on mDRIVE Generation F Transmissions ”, page 136
- “Split Shaft PTO Functionality with mDRIVE HD Transmissions”, page 136

Overview

General

Auxiliary equipment require power take-offs, either when the truck is stationary or when it is in motion. Various power take-off alternatives can be chosen, depending on the bodywork.

The work is generally carried out by equipment which is powered by a hydraulic motor. The hydraulic motor, together with a pump and associated equipment, form the basis of the hydraulic system. The pump, which provides the hydraulic pressure and flow to the motor, is the heart of the hydraulic system.

All power take-offs covered by this chapter are available factory installed. Some variants can also be ordered. It is important to design an optimum hydraulic system, and to specify the correct pump size to provide sufficient oil flow and prevent overloading of the power take-off.

Power Take-off

There are a number of different power take-off variants available, with single or double outlets. The power take-off is supplied with one of several output drives, keyed shaft, SAE drive flange or internal splined DIN.

Power take-offs are classified into two family variants: **Clutch dependent** and **Clutch independent**

Note: See Tool Tab in the Body Builder Portal for the Pump Speed Calculator.

Abbreviations

PTR	=	Single power take-off transmission, rear mounted (P ower take-off T ransmission R ear). All are rear-facing.
PTRD	=	Double power take-off transmission, rear mounted (P ower take-off, T ransmission, R ear mounted, D ouble).
REPTO	=	Flywheel mounted power take-off (Rear Engine PTO). This variant is available with rear-facing flange or opening for hydraulic pump located at one o' clock position.
EPTT	=	Maximum permitted torque on engine power take-off (E ngine P ower T ake-off T orque)
HPE	=	Hydraulic pump mounted to an engine power take-off (H ydraulic P ump E ngine mounted).

PTO Speed Functions

For the purposes of this manual, PTO (Power Take-off) is a function to maintain engine speed regardless of engine load. Think of it as cruise control for the engine - only instead of maintaining a steady vehicle speed, it is maintaining engine speed. It is most often used to provide increased steady engine speed when operating auxiliary equipment such as hydraulic pumps or compressors. The term "PTO" has come to mean both the function of maintaining constant engine speed during use of auxiliary equipment, as well as a term for the auxiliary equipment itself.

There are two types of PTO engine speed control used in Mack trucks:

Electronic Hand Throttle

(EHT/PTO 0) This type of PTO is standard equipment; it is initiated and controlled using the cruise control "ON/OFF", "SET / Decel or Resume / Accel switches. Manufacturers refer to this function by different names - Mack calls it "Electronic Hand Throttle" (EHT), even though some of the parameters for programming this function will refer to it as "high idle". (Note that in the North American market, the term "high idle" usually refers to the maximum possible engine speed under no-load conditions).

"Physical" or "Wired" PTO This type of PTO is most commonly associated with the engagement of engine- or transmission- "Wired" PTO driven accessories, where the user wishes to "remotely" activate the engine speed control function. It is usually accomplished by wiring the auxiliary equipment to the PTO function controller (VECU, BBM ECU, or Transmission ECU) so that engaging one will automatically activate the other.

How each of these different PTO functions operate will depend upon the installed engine. For Mack engines, the PTO functions are split between the Engine ECU and VECU.

Notes

PTO Functions with the MACK MP7 and MP8

A "PTO" icon will appear in the instrument cluster only when 'Remote' ('Wired') PTO is engaged.

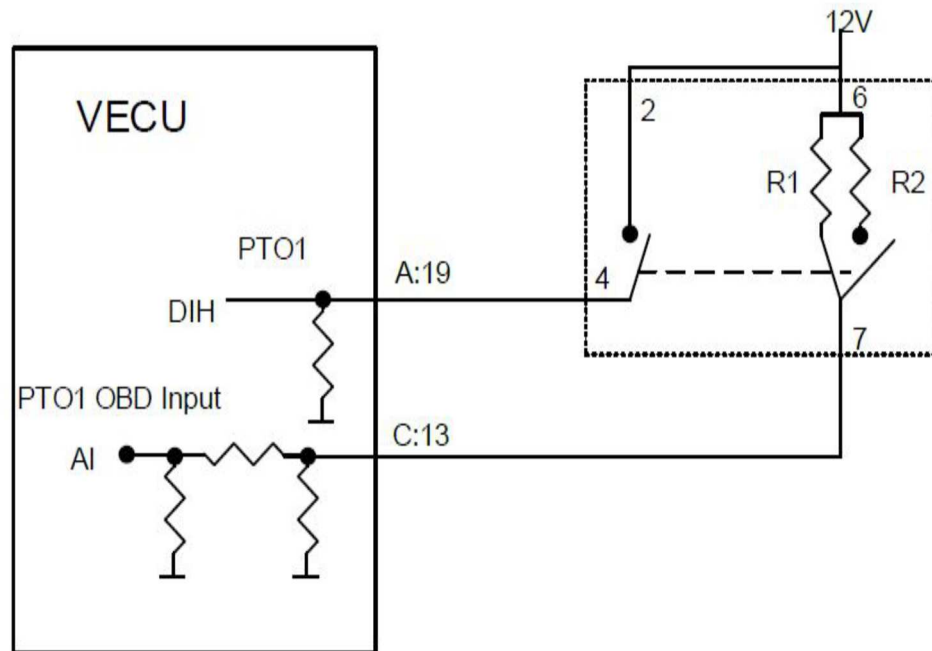
Electronic Hand Throttle PTO

The VECU reads the cruise control PTO switch status, and commands the engine into PTO mode when conditions are right. These conditions are program in the VECU and might include a maximum vehicle speed, park brake set or not, etc.

The engine PTO 'set speed' is selected by either pressing the cruise control "RESUME" button, or by using the accelerator pedal to get the desired engine speed and pressing one of the cruise control "SET" buttons (either SET / Decel or Resume / Accel). Once the PTO function is active, the SET / Decel or Resume / Accel buttons can be used to adjust the PTO engine speed (within limits).

SIB Switch Instructions for Remote PTO Operation (VECU)

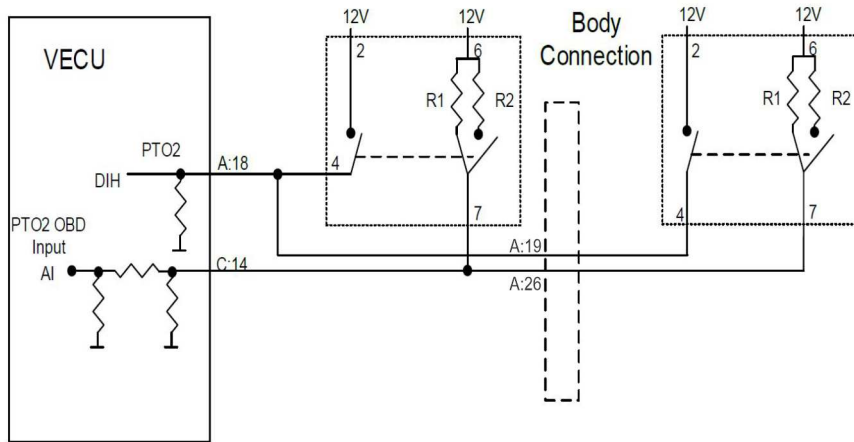
Due to Emissions and On Board Diagnostic regulations, PTO switches now have an analogue and digital input to allow for diagnostics on the switch. Both PTO 1 and PTO 2 switches will come with this configuration.



T3166523

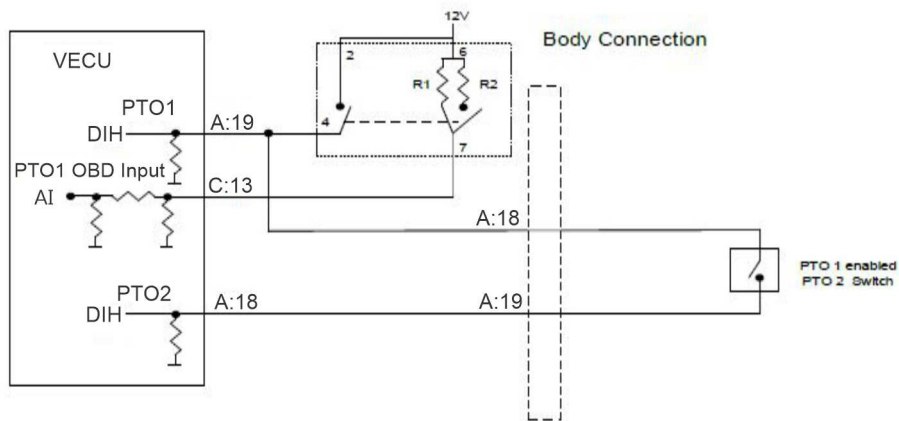
The engine has diagnostic for misfire that is disabled while this switch is configured for diagnostic and is activated. If the truck is ordered without PTO switches, the PTO inputs can still activate engine speed control and PTO output as in previous models. However, this misfire diagnostic is no longer suppressed. Therefore, there is risk of engine misfire faults if PTO loads are significant without the resistive switch configuration. For these reasons, it is recommended that PTO functions use a factory installed PTO switch where possible.

Granite BodyLink III includes PTO 1 and 2 pins with both analogue and digital inputs so that a body located switch can also be installed (and can be placed in parallel with the dash switch). The digital pin can also be used as a switch output as in the past. Ideally, the dash switch with both analogue and digital pins would be used on the body where necessary.



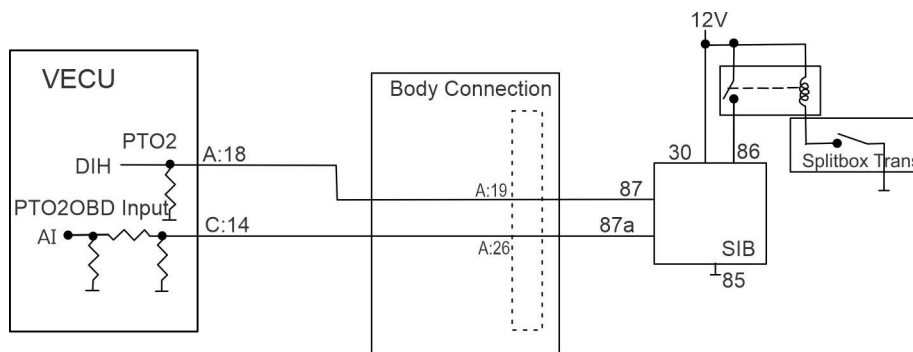
T3180150

Another option is to use a dash switch as an enable for an outside switch for PTO 2 using the PTO 1 digital pin as an output.

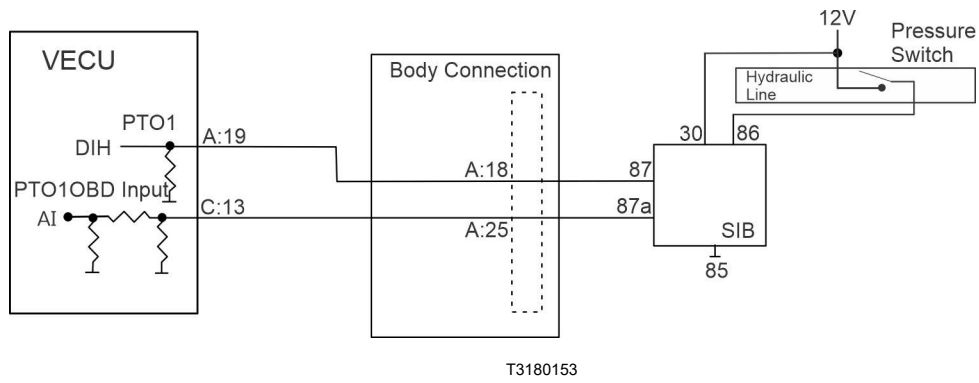


T3180151

However, where this is not practical, a provided Switch Interface Box (SIB) can be used that will allow these inputs to work with conventional open/close switches to 12V.



T3180152



Please check with Body Builder Support (877-770-7575) if the above options are not adequate.



The SIB switch relay kit part number is 23941264.

Mating Connector Parts for SIB Switch

Description	Quantity	Delphi Part Number	Mack Part Number
Connector	1	12110539	23498540
Terminal	5	12129409	85111011
Seal	5	12015323	1348670
Lock	1	12052834	8397456
Secondary lock	1	12110540	24015094

Physical or Remote/Wired PTO

This PTO function is activated by applying an external signal to a dedicated PTO input pin on the VECU. The set speed can be adjusted using the cruise control SET / Decel or Resume / Accel buttons, as above.

The Mack VECU allows for up to 4 PTO speed controls plus the PTO (EHT) without the use of a BBM. Each PTO can be independently selected and controlled by separate speed settings as well as independent engagement and disengagement requirements.

A sub-function of the 'wired' PTOs in the VECU is the ability to activate PTO "outputs". Traditionally, the auxiliary device (PTO pump, bypass solenoid, etc.) is wired so as to be activated by the same switch which initiates the engine speed control function. This means that the hardware will be engaged whenever the switch is on, even if the engine speed is not being controlled. There also is no protection against an input switch that has been accidentally activated.

With the mDRIVE transmission the PTO "Output Control" function of the VECU and BBM ECU, it is possible to prevent engagement of the auxiliary equipment until certain conditions are met - park brake set, engine speed within a certain range, etc. This is accomplished by controlling the auxiliary equipment with the VECU, instead of directly from a switch. The ECUs still read the switch input, though, and will only allow the auxiliary device to engage when conditions are right.

Notes

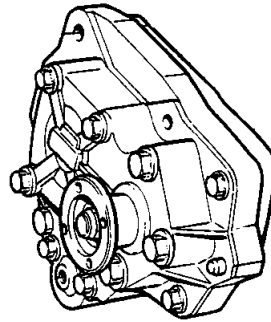
Power Take-off Types

Clutch Dependent Power Take-off

Clutch dependent power take-offs are designed to work when the truck is parked. Common applications are dump trucks, mobile cranes, tank trucks, etc. They are mounted on the transmission and stop rotating when the clutch pedal is depressed.

Note: The clutch pedal must be depressed (if equipped), to engage or disengage the power take-off.

- PTR-XX
- PTRD-XX



T4006562

PTR-FL

Clutch Independent Power Take-off

A clutch independent power take-off is mainly used when work is to be done when driving. Refrigerated, hook lifts, concrete mixer, snow plows/sand spreaders, etc. They are designed to be installed either on the front of the engine or the flywheel housing.

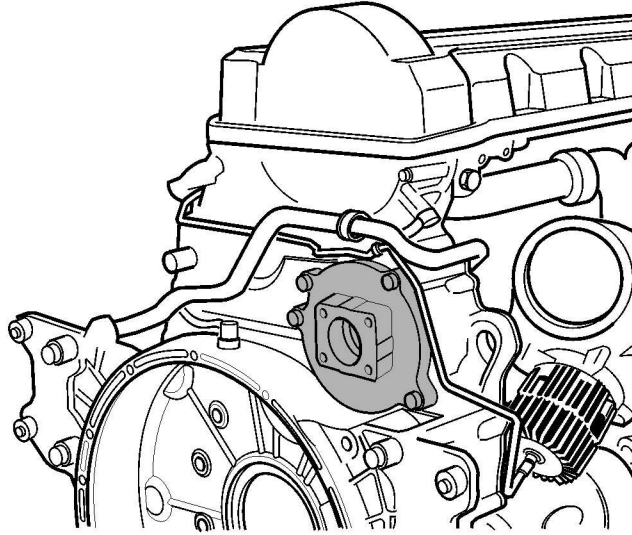
Rear Engine Power Take-off (REPTO)

An engine mounted power take-off is mounted on the rear of the flywheel housing.

MP7 and MP8

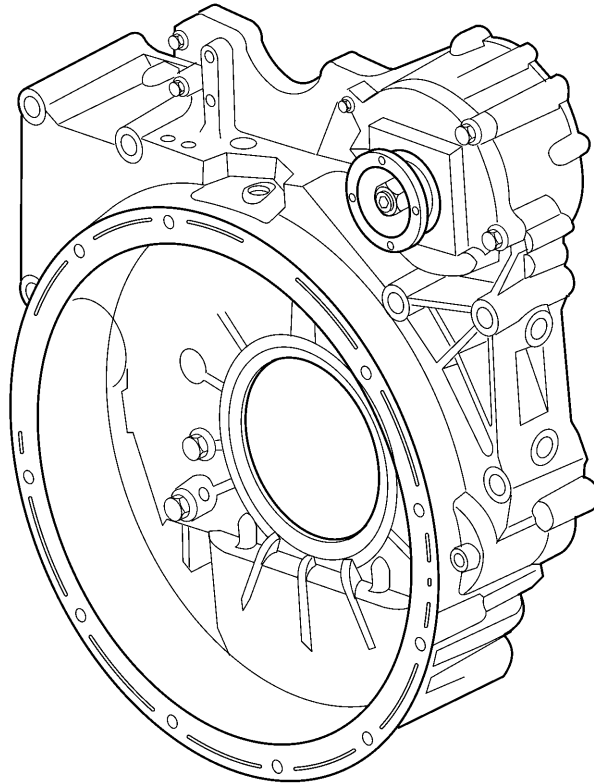
On the MP7 and MP8 engines the power take-off is ordered separately or ordered when the vehicle is built.

- **PTR-DIN** (DIN5462/ISO7653 connection)
- **PTR1300** (flange SAE1300)
- **PTR1400** (flange SAE1400)
- **PTR-DIN + HPE-XXX**
(Engine power take-off together with engine mounted hydraulic pump)



T9008395

PTR-DIN



W4002977

Rear-mounted Engine PTO with Flange SAE 1410/ ISO 7647

Transmission-mounted PTO

mDRIVE Power Take-off

The mDRIVE is an automated manual transmission. When the PTO is engaged and if the Drive mode “D” is selected, the TECU commands the clutch to release and engage the countershaft brake. This stops the rotation of the countershaft and the PTO. When the driver releases the brake pedal and applies the throttle, the clutch re-engages and the PTO starts to rotate along with the countershaft.

When the driver stops the truck and if the reverse mode “R” is selected, the clutch disengages and reverse gear engages. When the reverse gear engages, the transmission-mounted PTO disengages. When the driver releases the service brake and applies the throttle, the clutch re-engages and the PTO engages and starts to rotate again.

If the driver wants to use the transmission-mounted PTO while moving the vehicle, the transmission will only be able to operate in the starting gear that was selected. Depending on the vehicle options and starting gear selected, the maximum vehicle speed is usually around 6 mph.

The mDRIVE with transmission-mounted PTO may not be the solution for the Roll Off Chassis. The REPTO (MP engines only) unit is best suited for Roll Off Chassis application, where the truck requires to use the PTO while driving. The PTO with the Allison Transmission is also suitable for Roll Off Chassis applications.

Speed Ratios for mDRIVE Transmission-mounted PTOs

Power Take-off Type	Weight (lbs)	mDRIVE Overdrive		mDRIVE Direct	
		Low/Neutral-1	High/Neutral-2	Low/Neutral-1	High/Neutral-2
Single					
PTR-FL	35.3	0.93	1.18	0.73	0.93
PTR-DM	28.7	1.35	1.72	1.06	1.35
PTR-D	7.7	0.9	1.15	0.7	0.9
PTR-F	13.2	0.9	1.15	0.7	0.9
Double and Triple					
PTRD-F (Outer)	41.9	1.65	2.10	1.30	1.65
PTRD-F (Inner)		0.77	0.98	0.60	0.77
PTRD-D	44.1	1.65	2.10	1.30	1.65
PTRD-D1	57.3	1.65	2.10	1.30	1.65
PTRD-D2 (Outer)	70.5	1.65	2.10	1.30	1.65
PTRD-D2 (Inner)		0.77	0.98	0.60	0.77
PTRD-D3 (LHS))	58.6	0.76	0.97	0.60	0.76
PTRD-D3 (RHS))		1.29	1.64	1.01	1.29
PTRD-D4 (LHS))	70.3	0.76	0.97	0.60	0.76
PTRD-D4 (RHS)		1.29	1.64	1.01	1.29

Note: When the truck is stationary, use of crawler gears is not allowed to run the PTO.

Note: If the PTO operating condition exceeds 100 hp (75 kW) for 15 minutes, the PTO requires the oil cooler.

Transmission-mounted PTO

MACK mDRIVE, AMT

This information helps to identify transmission PTO options available with the mDRIVE Transmission.

The following table shows the available PTOs with installation kit part numbers and required software accessory kits.

PTO Type	PTR-D	PTR-F	PTR-FL	PTR-DM	PTRD-F	PTRD-D	PTRD-D1	PTRD-D2	PTRD-D3	PTRD-D4
Part Number	210271-01	210271-19	209972-51	209974-15	207964-30	207960-08	207962-25	207963-55	232837-84	232837-85
Installation Kit Number	851349-88 GEN II – 851536-72	851349-88 GEN II – 851536-72	851349-88	851349-88	851349-88	851349-88	851349-88 and 851329-64	851349-88 and 851329-64	851349-88 and 851329-64	851349-88 and 851329-64
Software Accessory Kit AMT-F	851373-35	851373-35	851373-35	851373-35	851373-35	851373-35	851518-40	851518-40	851518-40	851518-40

PTO Installation Kit

Installation Kit 85134988 includes parts required for installing types PTR-D, PTR-F, PTR-FL, PTR-DM, PTR-DH, PTRD-F, PTRD-D. For installing PTRD-D1, PTRD-D2, PTRD-D3, PTRD-D4, along with the installation kit 85134988 it also required to have 85132964.

To have pneumatic connections for PTO control, PTRD-D3 and PTRD-D4 require a separate valve kit, 23720743.

Note: Adapter kit (236644070) is needed for the PTR-D PTO (21027101).

Pump

See Tools and other Helpful Links section in Body Builder Manual for pump selection and information.

<http://www.macktrucks.com/parts-and-services/support/body-builders/tools/>

Notes

mDRIVE Transmission-mounted PTOs

PTO	Connection		Direction of Rotation	Max. Horsepower (kW)	Max. Torque ft-lb (Nm)
Type	Type	Dimension			
Single					
PTR-FL	Flange	SAE1300	Counter clockwise when facing back of engine	134 (100)	443 (600)
PTR-DM	Direct	DIN5462			
PTR-D	Direct	DIN5462	Clockwise (viewed from rear)	200 (150)	740 (1003)
PTR-F	Flange	SAE1410	Clockwise (viewed from rear)	200 (150)	740 (1003)

PTO	Connection		Direction of Rotation	Max. Horsepower (kW)	Max. Torque ft-lb (Nm)
	Type	Dimension			
Double and Triple					
PTRD-F	Flange (Outer)	SAE1400	Clockwise when facing back of engine	188 (140)	642 (870)
	Direct (Inner)	DIN5462	Counter clockwise when facing back of engine		
PTRD-D	Direct (Front)	DIN5462	Counter clockwise when facing front of engine		
	Direct (Rear)		Clockwise when facing back of engine		
PTRD-D1	Direct (Front)	DIN5462	Counter clockwise when facing front of engine		
	Flange (Rear)	SAE1400	Clockwise when facing back of engine		
PTRD-D2	Direct (Front)	DIN5462	Counter clockwise when facing front of engine	Max power inner and outer shafts must not exceed 188 hp (140)	Max Torque 642 ft-lb (850). See table below.
	Flange (Outer)	SAE1300	Clockwise when facing back of engine		
	Flange (Inner)	SAE1400	Counter clockwise when facing back of engine		
PTRD-D3	Left-hand side: Direct	DIN5462 / ISO 7643	Counter clockwise when facing back of engine	95 kW (127.4 hp)	See "Dual PTO Specifications", page 19
	Right-hand side: Direct			125 kW (167.6 hp)	
PTRD-D4	Left-hand side: Direct	DIN5462 / ISO 7643	Counter clockwise when facing back of engine	95 kW (127.4 hp)	See "Dual PTO Specifications", page 19
	Right-hand side: Flange	SAE 1310/1410		125 kW (167.6 hp)	

Power Take-off (PTRD-D2) Maximum Torque

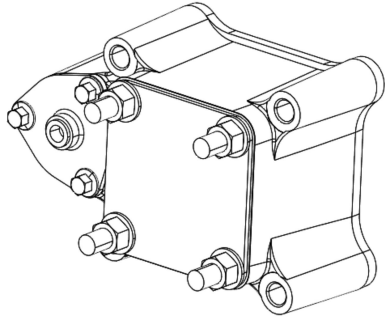
642 ft-lb (850 Nm) is the Maximum PTO Torque for PTRD-D2	
<i>Inner shaft ft-lb (Nm)</i>	<i>Outer shaft ft-lb (Nm) [sum of front and rear PTO]</i>
738 (1000)	148 (200)
664 (900)	221 (300)
516 (700)	295 (400)
369 (500)	369 (500)
203 (275)	443 (600)
48 (65)	516 (700)

Engine PTO in combination with AMT

For the vehicle with the *mDRIVE* transmission, the **engine** power take-off can be engaged during driving (depending on parameter setting) but the maximum torque must not exceed the predefined limit. Exceeding the maximum torque (shown in the table below) can cause problems during gear shifting. For this reason, it is recommended that equipment shall be designed so that the torque limits in the table below are not exceeded during driving.

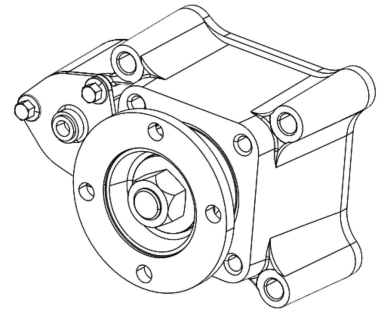
Engine	Maximum Torque Horsepower (Nm) While Driving
MP7	148 (200)
MP8	221 (300)

Notes



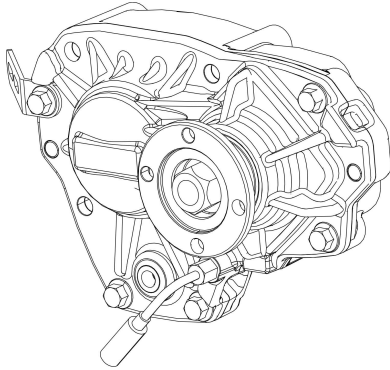
T4173618

PTR-D



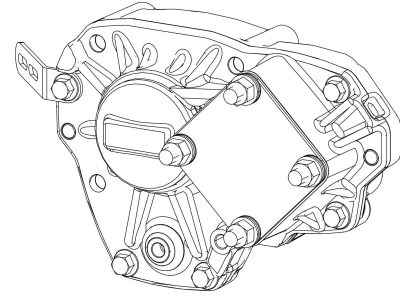
T4173619

PTR-F



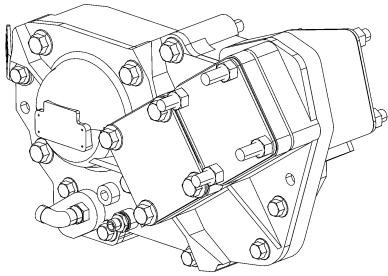
W2122051

PTR-FL



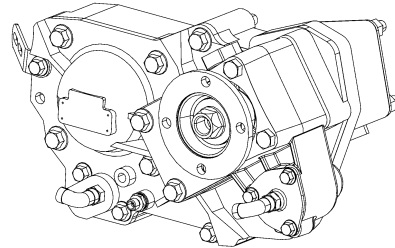
W9122052

PTR-DM



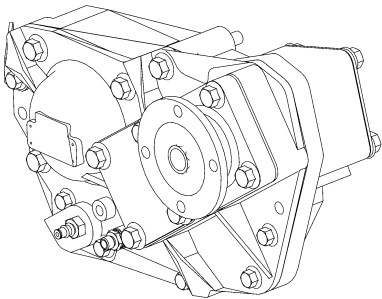
W4003060

PTRD-D



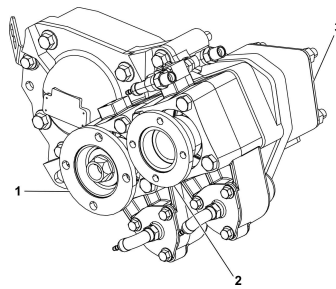
W4003061

PTRD-D1



W4003059

PTRD-F

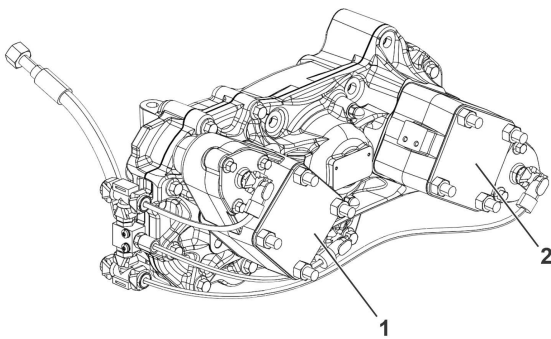


W4111374

PTRD-D2

PTO Drive Position on the Double and Triple PTO Housings

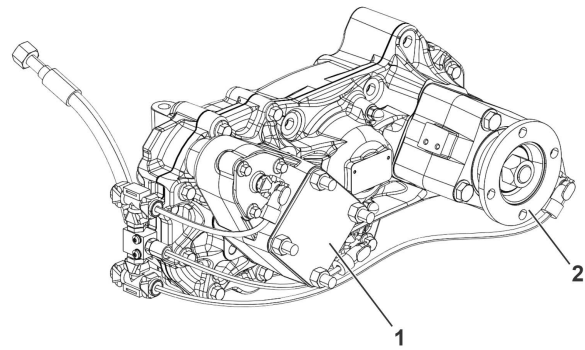
- 1 PTO # 1
- 2 PTO # 2
- 3 PTO # 3



T4177370

PTRD-D3

- 1 DIN type PTO, LHS
- 2 DIN type PTO, RHS



T4177371

PTRD-D4

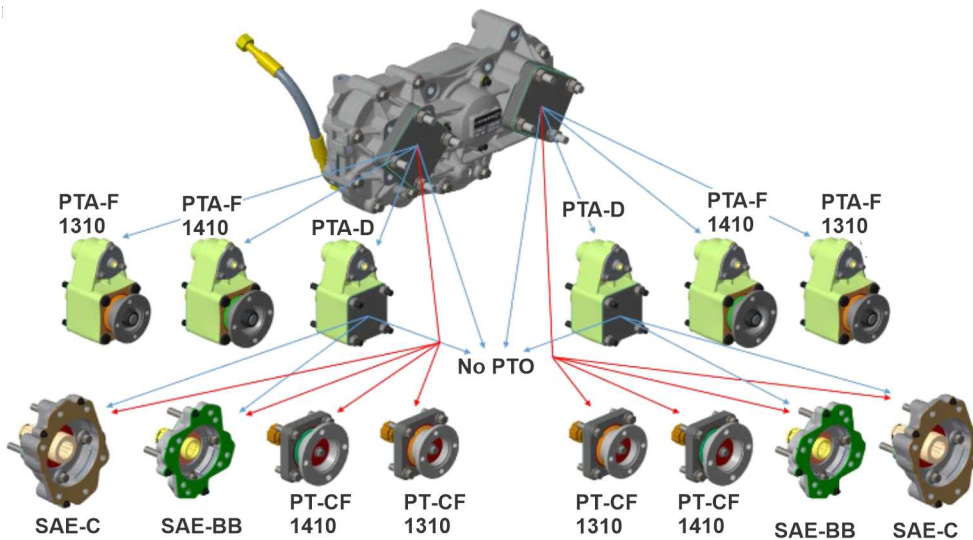
PTO Drive Position on the Double

- 1 DIN type PTO, LHS
- 2 Flange type PTO, RHS

Dual PTO Specifications

PTRD-D3 / PTRD-D4		Left-hand side	Right-hand Side	
Output Torque (Nm)		0	800	
		170	700	
		340	600	
		510	500	
		680	400	
		850	300	
		920	260	
		1000	200	
		1000	100	
		1000	0	
Output Power		95 kW (127.4 hp)	125 kW (167.6 hp)	
Weight	PTRD-D3	26.6 kg (58.6 lb)		
	PTRD-D4	31.9 kg (70.3 lb)		
Additional oil added to the transmission (due to PTO installation)		1.1 liter (1.162 quart)		
Direction of rotation		Counterclockwise (same as engine rotation)		
Ratio (RPM Output : Input)		0.85 : 1	1.43 : 1	
Total Ratio (PTO RPM : Engine RPM)	Direct Drive (DD) Transmission	Low Shift	0.60 : 1	1.01 : 1
		High Shift	0.76 : 1	1.29 : 1
	Over Drive (OD) Transmission	Low Shift	0.76 : 1	1.29 : 1
		High Shift	0.97 : 1	1.64 : 1

Dual PTO Field Combinations



T4177369

Dual PTO	PTO type (left side)	PTO type (right side)	PTO Kit Part Number
PTRD-D3 / PTRD-D4	PTA-D ¹	PTA-D ¹	23283789
	PTA-F (SAE 1410)	PTA-F ¹ (SAE 1410)	23283788
	PTA-F (SAE 1310)	PTA-F (SAE 1310)	23283795
	SAE-C ²	SAE-C ²	23283787
	SAE-BB ²	SAE-BB ²	23283786
	PT-CF (SAE 1410)	PT-CF (SAE 1410)	23283790
	PT-CF (SAE 1310)	PT-CF (SAE 1310)	23283791

1 Factory fitted

2 It can be installed directly on the PTO housing or through the factory-installed PTA-D.

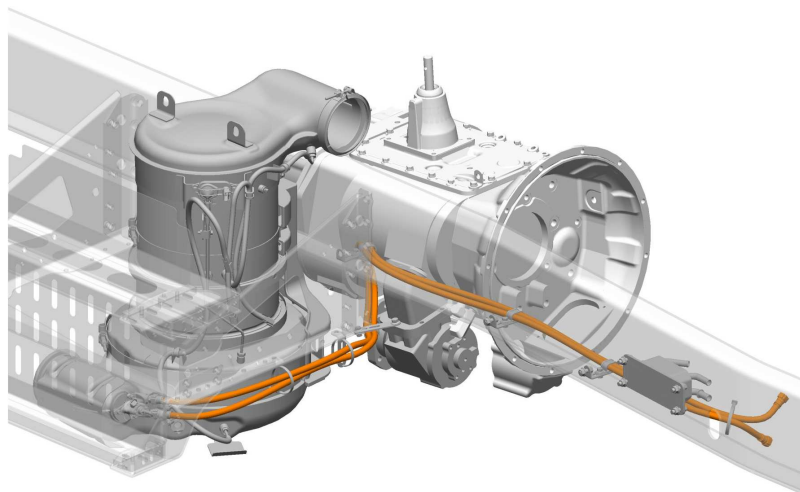
Dual PTO Pump Option

Dual PTO	Left-hand side PTO	Right-hand side PTO	Notes
PTRD-D3	F1 Series	F1 Series	—
	F1 Series	GP Series	—
	GP Series	F1 Series	—
	GP Series	GP Series	—
	—	F1 Series	Single pump specs always installed on right side. As needed, install an alternative output and/or reposition the pump to left side at field.
	—	GP Series	
PTRD-D4	F1 Series	PTA-F	—
	GP Series	PTA-F	—
	—	PTA-F	As needed, install an alternative output and/or reposition the pump to left side at field.

Diesel Exhaust Fluid (DEF) Cooling Lines, Side Mounted PTO

This kit is being released in order to provide a solution for customers requiring a side mounted PTO on mechanical transmissions. Currently, if a PTO is mounted on the transmission it will interfere with the urea cooling lines that are routed down the right side of the frame. This kit allows the customer to remove the hard piping associated with the urea cooling lines and replace them with flexible hoses that prevents the previously mentioned interference.

Mechanical Transmission PTO Cooling Line Routing Kit			
MP8 Contents 85124281		MP7 Contents 85124282	
Part Number	Quantity	Part Number	Quantity
21477961	2	21477961	1
20437238	3	21479099	1
965541	2	20437238	2
965559	3	965541	2
965560	1	965559	3
981664	6	965560	1
946440	5	981664	6
948645	5	946440	5
946329	3	948645	5
971098	3	946329	3
20805109	2	971098	3
984992	2	20805109	2
		984992	2



W2037255

Cooling Line Routing

Power Take-off (PTO), Installation (mDRIVE)

PTO kit 85134988 includes transmission drive parts, a solenoid valve, and a switch for a single PTO. PTO kit 85132964 includes an additional solenoid and switch valve for dual PTO's. Both kits are required for dual PTO's.

1. Raise and support the rear of the vehicle.

Note: Lift the rear of the truck until the back of the transmission has been raised 76-89 mm (3-3.5 in) to minimize transmission fluid loss.

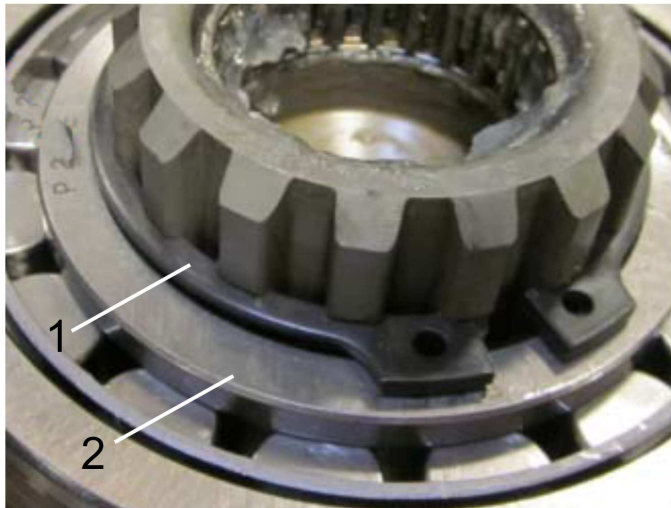
2. Drain the air system.

3. Drain the mDRIVE transmission air supply tank.

Note: This tank is equipped with a pressure protection safety valve and will not drain with the rest of the air system.

4. Remove the PTO mounting surface block off plate from the transmission range housing.

Note: Position a drain pan to capture lost transmission fluid.



W4079510

1 Snap Ring

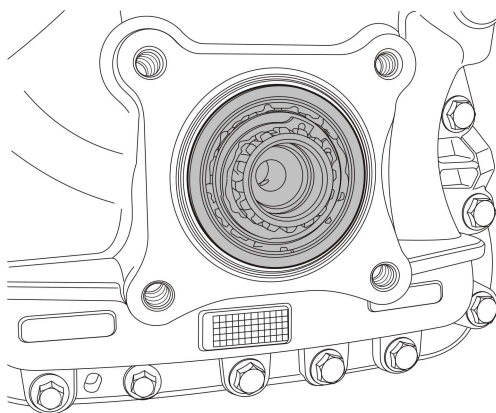
2 Thrust Washer

5. Assemble the PTO drive shaft, bearing, thrust washer and snap rings.

Note: Using a brass drift, gently drive the bearing into place striking only the inner race. Reposition the drift with each strike, rotating around the bearing.

Notes

6. Pack the PTO drive shaft bearing with grease. **Note:** Use a synthetic based grease such as MACK part number 1077790 or equivalent.



W4003016

7. Install the PTO drive shaft assembly in the transmission.

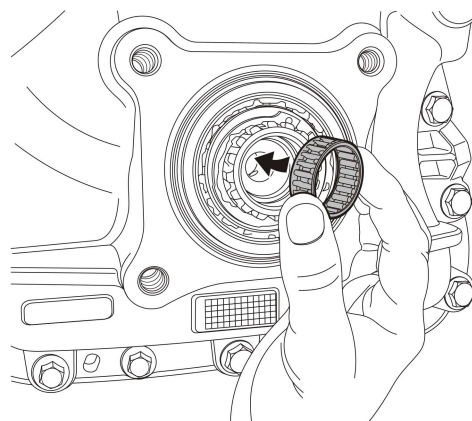
Note: Once positioned in the transmission, it may be necessary to gently tap the shaft in. Use a plastic or rubber faced hammer.

Note: The bearing is seated when the snap ring on the outside of the bearing touches the mating groove on the transmission.

8. Lubricate the PTO drive shaft pilot bearing.

Note: Use a synthetic based grease such as MACK part number 1077790 or equivalent.

9. Install the PTO drive shaft pilot bearing.



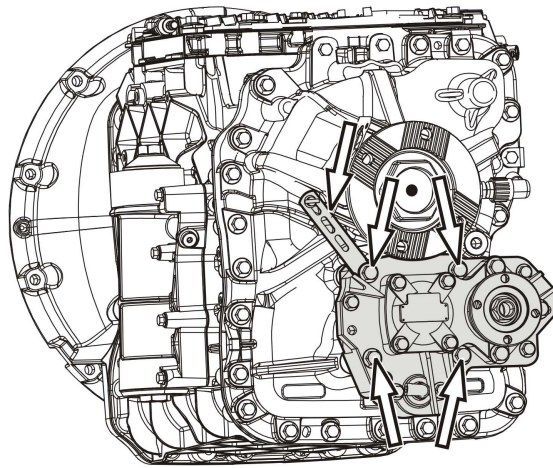
W4003017

10. Apply a bead of silicone sealant on the PTO mounting surface.

Note: Only use silicone to seal the PTO mating surfaces. Do not use gaskets or O-rings.

Note: Clean the PTO mating surface on the transmission prior to applying the silicone.

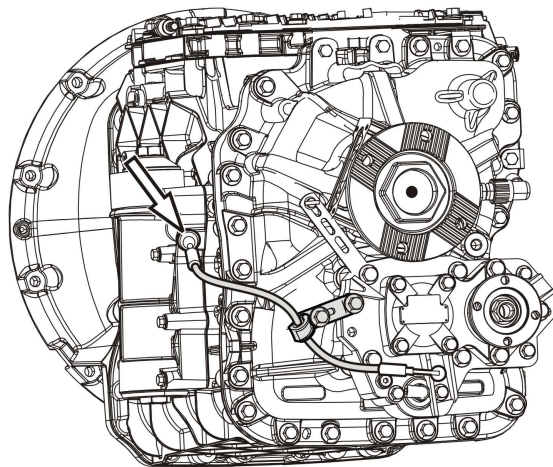
11. Install the air line bracket on the left upper PTO mounting bolt. Install the PTO and tighten the mounting bolts to 85 ± 5 (30 ± 4 ft/lb).



W4003020

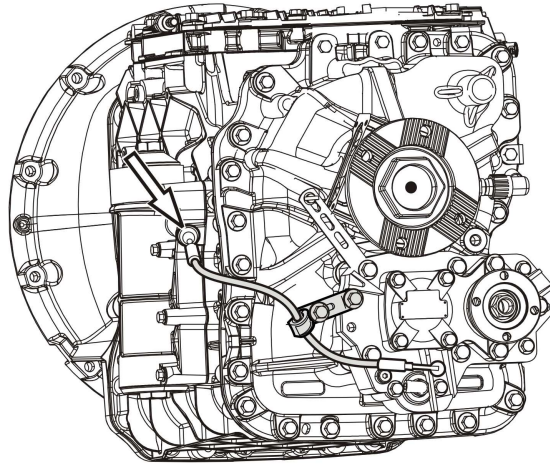
12. Remove the PTO oil supply line plug from the back side of the transmission oil filter housing.

Note: Use a copper gasket to seal the fitting.



W4003018

13. Connect the PTO oil feed line to the oil port. Tighten the line.



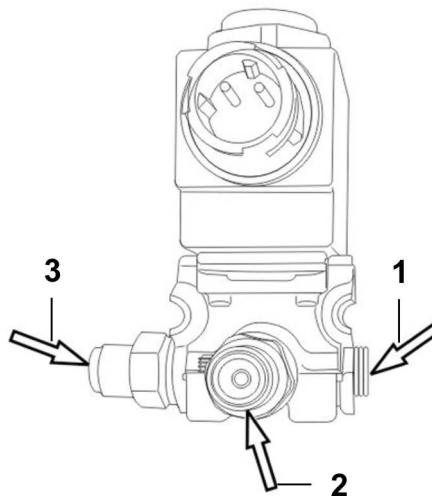
W4003018

14. Locate the PTO solenoid wiring harness connectors tied to the transmission wiring harness on top of the transmission. Cut tie straps as needed to free the harness for use.

Note: The wiring tags should read PTO1 and PTO2 at the connectors.

15. For a single PTO, install two quick connect air fittings and one pipe plug into the PTO solenoid. For dual PTO's , install an O-ring between solenoids in place of the pipe plug.

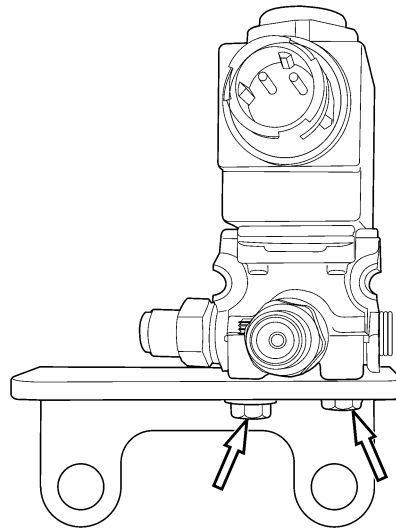
Note: The supply line fitting should accept a 9.5 mm (3/8 in) air line, and the outlet fitting should accept a 6.35 mm (1/4 in) air line.



W9123394

- 1 Plug for single or O-ring for dual
- 2 Outlet fitting 1/4"
- 3 Supply line 3/8"

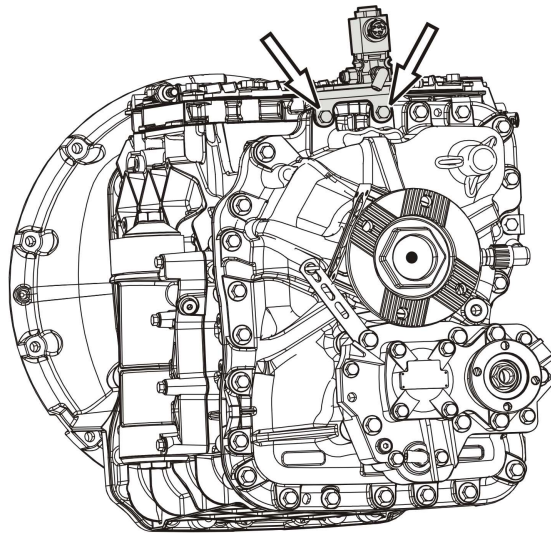
16. Install the PTO solenoid or solenoids to the bracket and tighten the fasteners to 20 ± 3 (15 ± 2 ft/lb).



W4003027

17. Remove the two, top left range housing mounting bolts.

18. Install the bracket using the range housing bolts. Tighten the bolts to 110 ± 10 (81 ± 7 ft/lb).



W4003019

19. Connect PTO1 wiring harness to the solenoid.

Note: The wiring tags should read PTO1 and PTO2 at the connectors.

20. Install a 90° air line quick connect fitting into the PTO.

Note: The fitting should accept a 6.35 mm (1/4 in) air line.

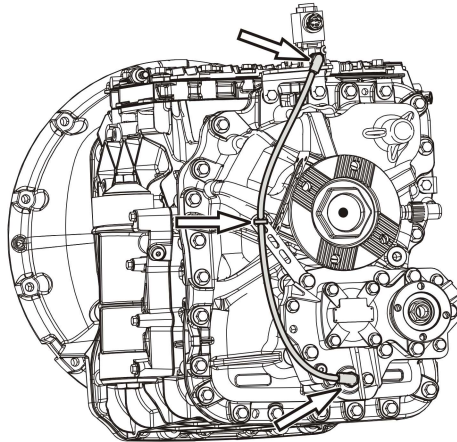
21. Install a 6.35 mm (1/4 in) inch air line from the solenoid to the PTO.

Note: Route away from moving parts and secure to mounting bracket with tie straps.

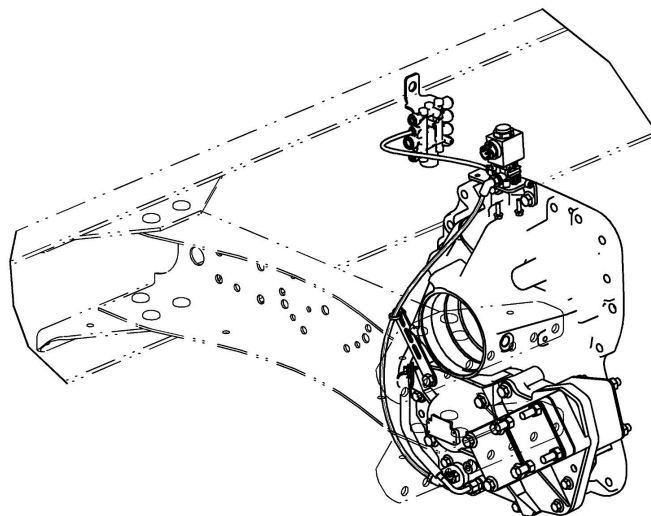
22. Remove the plug from the available 9.5 mm (3/8 in) inch air line port on the pressure protection manifold, found on the left inner frame rail. Insert the air line and route it to the solenoid inlet 3/8 in port.

Install the solenoids. Install the 9.5 mm (3/8 in) air supply line to the pressure protection manifold and then connect it to the solenoid.

Note: Route the line away from any moving parts and secure using tie straps.



W4003022



W9123652

23. Pressurize the air system and check for leaks.

Note: If any leaks are found, drain the air tank and repair the leak. Re-test until no leaks are found.

24. Remove the supports and lower the vehicle.

25. Fill the transmission with new MACK approved oil.

Note: Fill the transmission until the fluid level is between minimum and maximum of the sight glass.

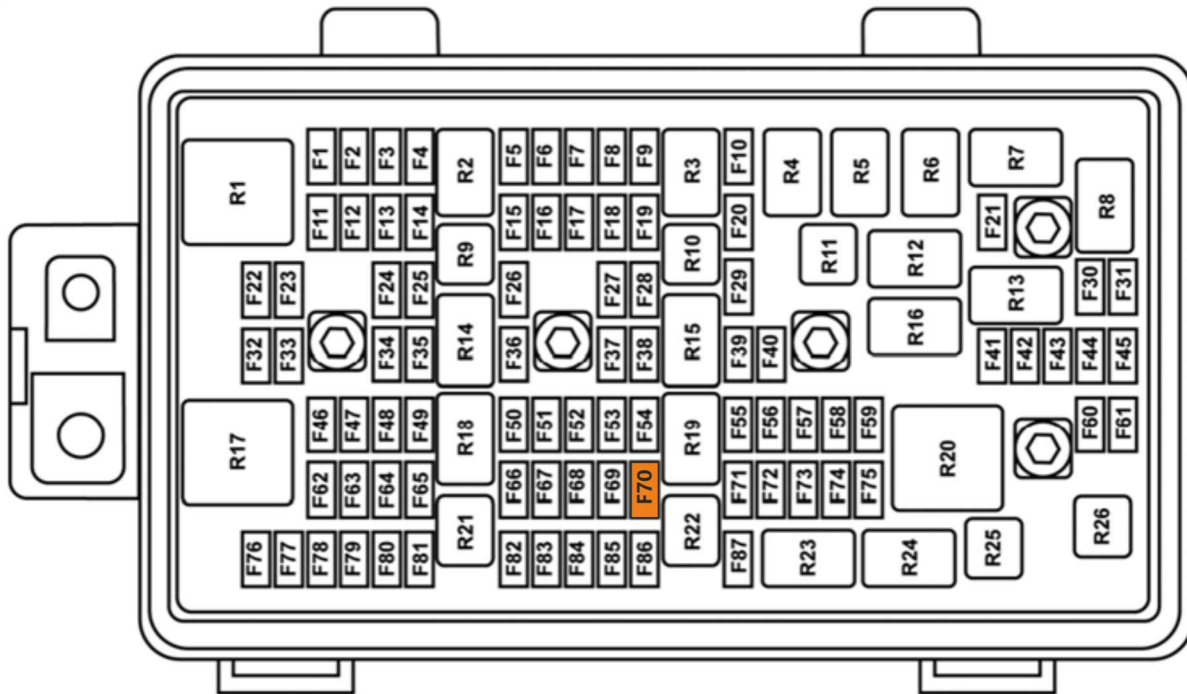
Note: Do not reuse old oil from the mDRIVE transmission. Always use new oil when filling.

Note: 1–2 L (1–2.1 qt) of fluid may be lost during the installation.

Silver Drain Plug	85146531, SAE50 mDRIVE Heavy Duty
Brass Drain Plug	9853–120551, 75W-80 mDRIVE Standard

26. Remove the bussed electrical center (BEC) cover in the cab.

27. Check for a 15 amp fuse in fuse slot F8 and a 10 amp fuse in fuse slot F70 of the FRC. Install fuses if missing.

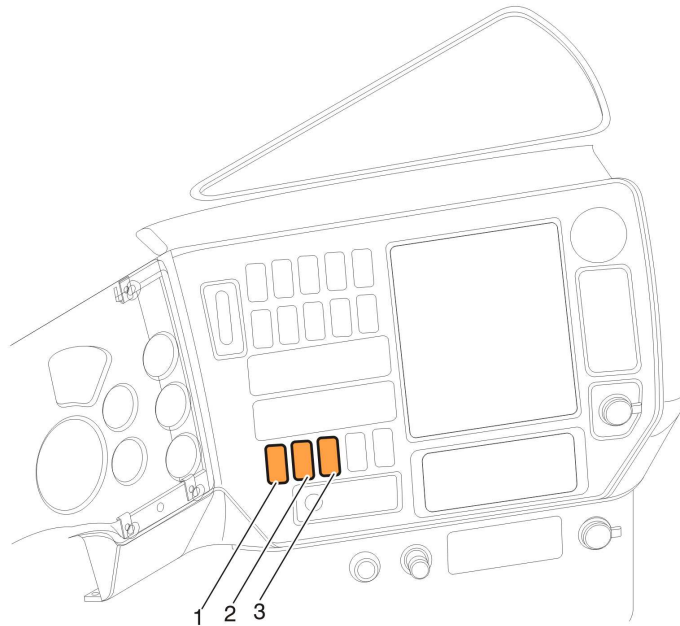


T3192612

28. Install the BEC cover.

29. Remove the dash switch blank from the first blank switch position 1 through 3 on switch panel.

Note: Switch position 3 is the default position for the PTO switch, but switch position 1 or 2 should be used if blank. The PTO switch connector is in the cab wiring harness and is located behind this panel.



W8061184

30. Install the PTO switch (GEN II: 23338916;) in position 1, 2, or 3, depending on which location is the first available blank position.

31. Using the scan tool, run accessory kit and program the transmission control module (TCM) with the appropriate software for a single PTO. Contact the help desk for further assistance.

Note: The appropriate software is dependent upon how many solenoids are being used to actuate the PTO (single or dual solenoids), not the outputs on the PTO.

Note: When installing an mDRIVE transmission-mounted PTO, contact MACK Tech Support 1-800-888-2039 to secure the correct software for the Transmission Electrical Control Module (TECU).

32. After the TCM has been programmed with its software, it is necessary to perform the “Transmission and Clutch Calibration” using the scan tool.

33. Perform PTO parameter programming. For more information, refer to the “PTO Programming” bulletin found in the electrical section of the Body Builders Manual.

Note: It will be necessary to change the vehicle electronic control unit (VECU) default parameter for PTO position mounting from engine1 to transmission1.

36. Run the vehicle and re-check the transmission fluid level. Top off the transmission as needed so the fluid level is between minimum and maximum of the sight glass.

Note: The PTO shares the transmission fluid for lubrication. The PTO will retain about 0.8 qt (0.75 L), of transmission fluid after initially being run. Always top off the transmission fluid after installing a new PTO.

Rear-mounted Engine PTO

Trucks used for certain applications, such as cement mixers or dump trucks, may use a rear-mounted engine PTO (REPTO). PTOs of this type is installed on the rear of the engine, and the timing gear drives it. These PTOs are intended for use when the vehicle is moving or stationary. REPTOs are dependent only on the engine power.

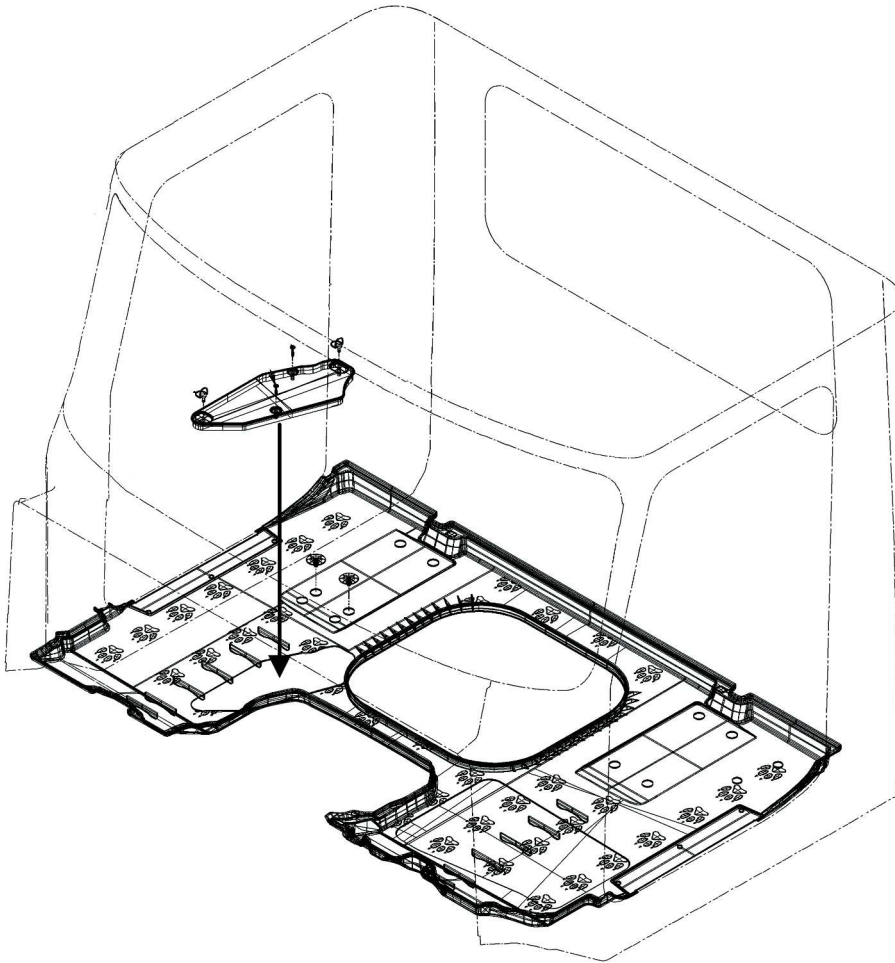
REPTOs are designed to accomplish the following performance-related objectives:

- To eliminate unnecessary parts (e.g., additional Front-mounted PTO equipment).
- To have effective output (clutch-independent power).
- To have a specification of a lengthened wheelbase without exceeding overall length restrictions.
- For example, two trucks with the same frame length must meet the same overall length of 10 m (40 ft).

For a truck with a front-engine PTO, it is required to have a hydraulic pump in front of the engine (or bumper). Due to the installation of the hydraulic pump, the truck with the front-engine mounted PTO has a reduced wheelbase. The front front-engine mounted PTO wheelbase is approximately 46–53 cm (18–21 in), which is less compared to the vehicle with the REPTO. Due to the higher wheelbase, the vehicle with REPTO can have a higher payload under the Federal Bridge Law of 545–680 kg (1200–1500 lb).

Note: The REPTO rotates in the same direction as the engine.

Note: The REPTO access hatch is tied to the REPTO variant. Whenever a REPTO is requested, the access hatch is provided. Therefore, the customer does not need to request the hatch separately



W8116059

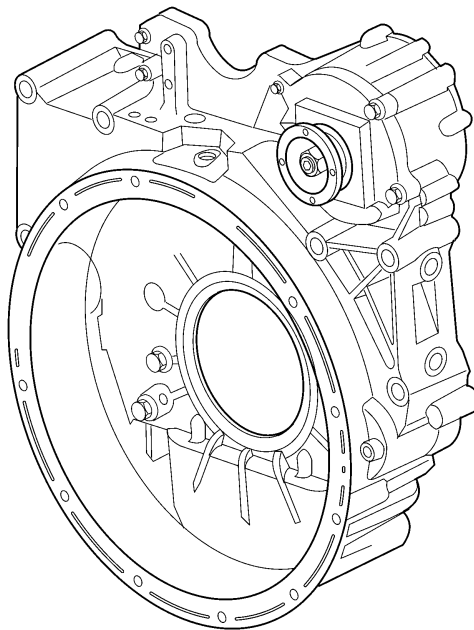
Benefits of the REPTO include:

- Eliminates the need for an extended frame or bumper.
- Permits shorter hydraulic lines.
- Simplifies maintenance (no need to remove the REPTO to service the clutch).
- Eliminates the need for modification to radiator and radiator supports for PTO shaft clearance.

REPTO with Flange SAE 1410/ ISO 7647

Related: Engine Package (101), Intermediate Crossmember (OA), Cab Suspension (2D)


Option T1-A1 is a clutch independent power take-off (REPTO) with a SAE1300/1400 flange connection for shaft-driven accessories. It is suited to types of transport in which the clutch independent power take-off is a must. This PTO is intended for use when the vehicle is moving or stationary.



W4002977

REPTO

Speed ratio: 1:X.x (1 = engine, X.x = power take-off)

Engine	Power Take-off	Weight lbs.	PTO Drive Type		Speed Ratio	Direction of rotation ¹	Max permissible torque ft-lb (Nm) ²	Power take-off
	Type		Type	Dimension				
MP7	PTER-DIN	66.0	Direct	DIN 5462	1:1.08	 (Same as engine) ¹	< 5 km/h (3 mph) 1000 (738) > 5 km/h (3 mph) 650 (479)	PTR-xxx
	PTER-1400	34.0	Flange	SAE 1410	1:1.26			
MP8	PTER-DIN	66.0	Direct	DIN 5426	1:1.26		> 5 km/h (3 mph) 650 (479)	PTR-XXX + EPTT650
	PTER-1400	34.0	Flange	SAE 1410			< 5 km/h (3 mph) 1000 (738)	PTR-XXX + EPTT1000

¹ Counterclockwise when facing the back of the engine

² The engagement of the hydraulic pump must not give any pressure peaks exceeding the rated pressure.

Note: High Inertia of the REPTO system derived from large pump system arrangements can cause adverse engine frequencies during Acceleration and deceleration engine events.

Resonance Frequency

CAUTION

For the propeller shaft to PTO pump, the minimum torsional resonance frequency is 300 Hz. Failure to follow this may cause severe engine components damage.

Resonance frequency (*f*) for a propeller shaft driven PTO is calculated as:

$$f = \frac{1}{2 \times \pi} \times \sqrt{\frac{k}{J}}$$

f = resonance frequency (Hz)

k = stiffness of prop shaft and coupling(s) (Nm/rad)

J = hydraulic pump and coupling mass moment of inertia (kgm²)

Example:

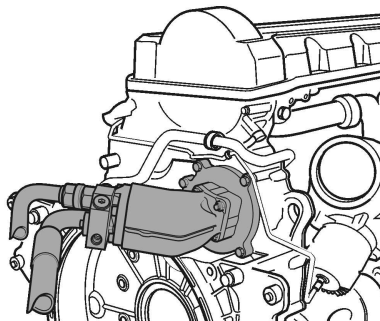
k = 2,8 x 10⁵ Nm/rad

J = 0,05 kgm²

$$f = \frac{1}{2 \times \pi} \times \sqrt{\frac{2.8 \times 10^5}{0.05}} = 377 \text{ Hz}$$

REPTO with Splined Shaft Groove (Female) DIN 5462

REPTO with splined groove is a clutch-independent PTO. It takes power directly from the engine, and the timing gear drives it. It is suitable for use both when the vehicle is running as well as in a parked condition. It is also suitable for a vehicle that requires engagement and disengagement from outside of the vehicle.



T4019448

Shown with optional direct mount pump

MACK MP7 REPTO Specifications		
Location	Right-rear side of the engine timing gear	
Type	Clutch independent power take-off	
Housing Material	Cast iron	
Flange Connection	SAE 1350/1410 4 — Bolt	
DIN Mounting	5462/ISO 7653	
Engine	MP7	
Gear Ratio (Engine:PTO)	DIN5462	1:1.08
	SAE 1350/1410	1:1.26
Max Torque — Stationary	630 ft-lb (850 Nm)	
Max Torque — >5 kph (3 mph)	480 ft-lb (651 Nm)	
Weight	10.9 kg (24 lb)	

MACK MP8 REPTO Specifications		
Location	Right-rear side of the engine timing gear	
Type	Clutch independent power take-off	
Housing Material	Cast iron	
Flange Connection	SAE 1350/1410 4 — Bolt	
DIN Mounting	5462/ISO 7653	
Engine	MP8	
Gear Ratio (Engine:PTO)	SAE 1350/1410	1:1.26
	DIN 5462	
Max Torque — Stationary	740 ft-lb (1003 Nm)	

Max Torque — >5 kph (3 mph)	480 ft-lb (651 Nm)
Weight	14 kg (31 lb)

REPTO, Installation

When installing a REPTO on an MP7 or MP8 engine, use the following parts information

PTO Spline	Part Number	Description	QTY
MP7 DIN	23496058	REPTO Unit	1
	976068	O-Ring	1
	984850	Bolt	2
	984820	Bolt	2
MP7 SAE	23343592	REPTO Unit	1
	976068	O-Ring	1
	984850	Bolt	2
	984820	Bolt	2
MP8 DIN	23496052	REPTO Unit	1
	976068	O-Ring	1
	984762	Bolt	1
	984816	Bolt	3
MP8 SAE	21913220	REPTO Unit	1
	976068	O-Ring	1
	984762	Bolt	1
	984816	Bolt	3
	22066340	Protecting Screen	1

Notes

BOC (Back Of Cab) Crossmember For PTO with/without Mixer Body Plates

Sales Code:

- OA-AC BOC crossmember for PTO with mixer plates
- OA-AD BOC crossmember for PTO without mixer plates
- AX-AA Flip overhang crossmember upside down

The following offerings are available in MACK models with REPTO or Allison PTO configurations for mixer use:

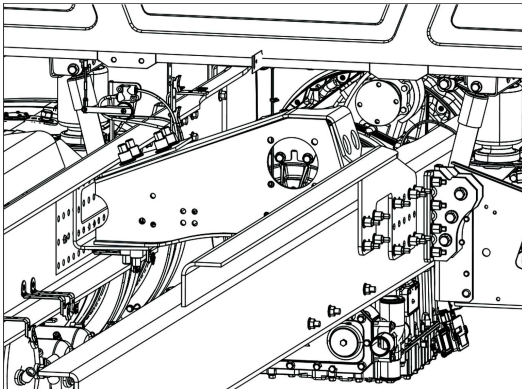
- BOC crossmember for PTO with mixer plates (OA-AC)
- BOC crossmember for PTO without mixer plates (OA-AD)
- Intermediate crossmember

These options allow body companies to mount the mixer PTO pump on the MACK crossmember.

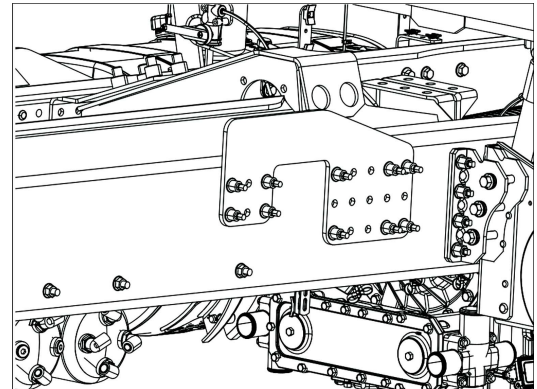
The following options are offered to the vehicle with mixer booster axle for better cylinder clearance:

- An inverted intermediate overhang crossmember
- Flip overhang crossmember upside down (AXAA)

Note: For the vehicle with mixer booster axle, the intermediate overhang crossmember is mounted upside down to prevent the mixer cylinder from interfering.



Crossmember and body plate

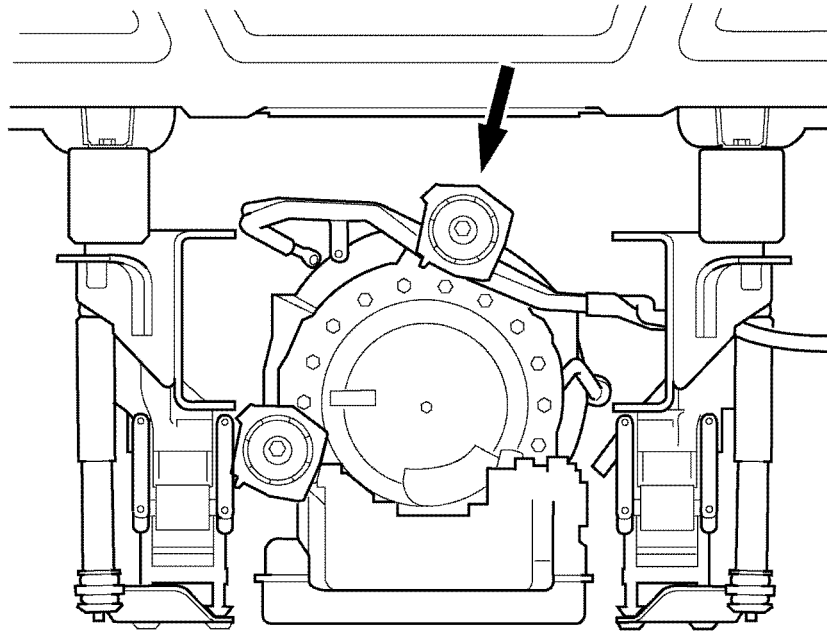


Crossmember and body plate

Notes

Note: PTO may produce noise on conventional models equipped with an Allison Automatic Transmission.

PTO units are used on vocational vehicles to power hydraulic pumps and other auxiliary equipment. These PTOs can either be mounted on the engine or the transmission. Allison Transmissions may provide PTO mounting locations at both the 1 o'clock and 8 o'clock positions (when viewed from the back of the transmission).



W2037548

Allison Automatic Transmission PTO Mounting Locations

On conventional models, when mounting a PTO unit in the one o'clock position, the gap between the PTO unit and cab floor is only a few inches. Due to the less gap between the PTO unit and the cab floor, when the PTO generates noise, the occupants in the cab may find it objectionable. Even though the noise is objectionable, there is no identified degradation of performance or durability with this transmission-mounted PTO arrangement.

Note: Since body builders or aftermarket suppliers install most PTO systems, Mack Trucks, Inc. cannot restrict or control the installation of these systems. Because of this, Mack Trucks, Inc. is not responsible for any noise-related issues associated with this type of transmission/PTO arrangement.

Due to the transmission-mounted PTO, if interior cab noise is a concern, it is strongly recommended to use REPTO. The SAE flange-type REPTO allows the use of a drive shaft to power a hydraulic pump/valve system. The hydraulic pump/valve system is an electric clutch-type. This type of system allows the same ON/OFF functionality as a transmission-mounted PTO (electric clutch-type). Depending upon specific needs or customer preferences, for conventional models that are equipped with an Allison transmission, use the REPTO instead of a transmission-mounted PTO.

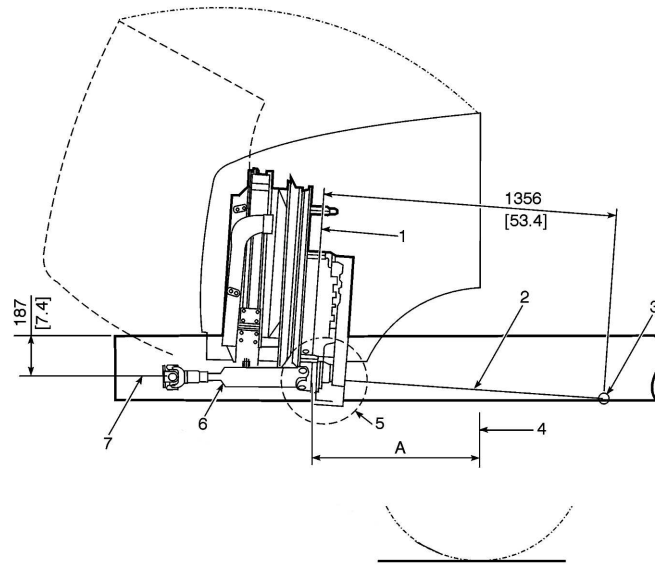
Front-mounted Engine PTO

The front-mounted PTO is suitable for the following applications:

- Refuse
- Dump body with spreading apparatus
- Roll on/off, hook lifts
- Municipality trucks with multiple hydraulic equipment needs, snow plows, cranes, dump bodies, etc.

Front PTO Configuration, Axle Back

MP8



W9116879

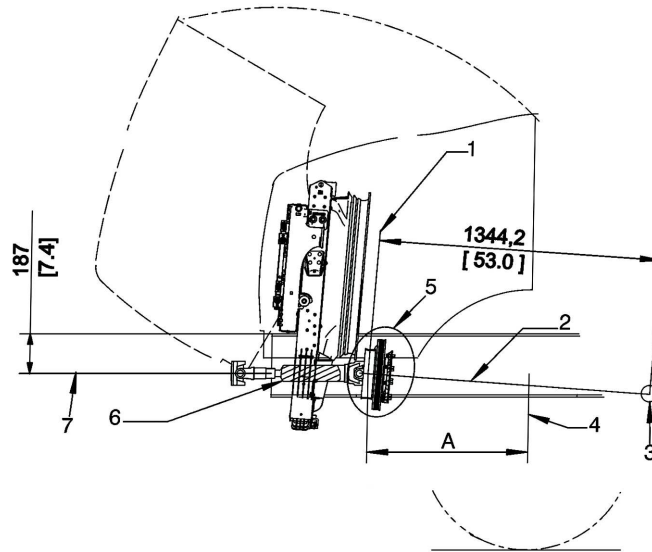
Fig. 1 Front PTO, Axle Back, With 930 Sq. in. Radiator (MP8)

- 1 PTO shaft mounting surface.
- 2 Centerline of crankshaft at 4°.
- 3 Position of engine rear face of flywheel housing.
- 4 Centerline of front axle.
- 5 See Fig. 4 on page 40 .
- 6 1410 Series shaft shown.
- 7 Centerline of PTO driveshaft (horizontal)
- A Dimension (see table below)

Dimension	Axle Forward mm (in)	Axle Back mm (in)
A	220 (8.7)	778 (30.6)

Max Torque 678 Nm (500 ft-lb)

Max Power 134 kW (180 hp) @ 1800 rpm

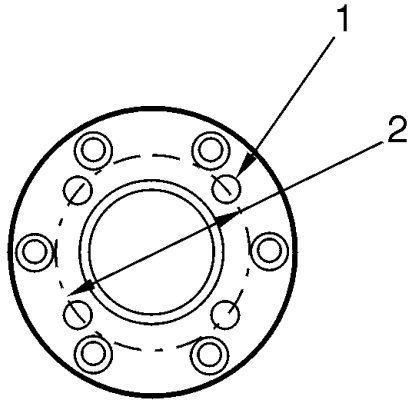


W9116880

Fig. 2 Front PTO, Axle Back, With 1240 Sq. in. Radiator (MP8)

- 1 PTO shaft mounting surface.
- 2 Centerline of crankshaft at 4°.
- 3 Position of engine rear face of flywheel housing.
- 4 Centerline of front axle.
- 5 See Fig. 5 on page 41 .
- 6 1410 Series shaft shown.
- 7 Centerline of PTO driveshaft (horizontal)
- A Dimension (see table below)

Dimension	Axle Forward mm (in)	Axle Back mm (in)
A	206 (8.1)	766 (30.2)

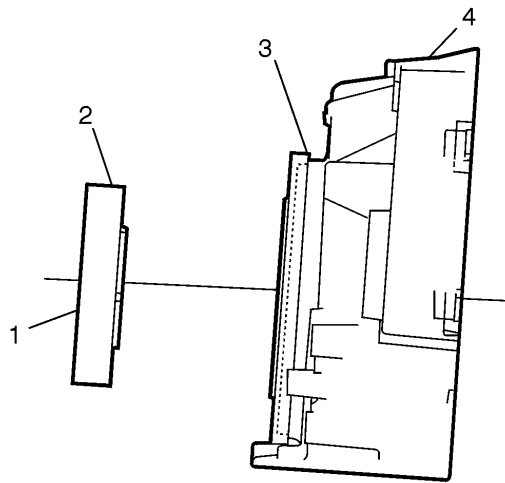


W4002367

Fig. 3 Adapter PTO Drive Coupling (1350/1410), MP8 (1:2)

- 1 4 x 7/16 — 20UNF-2B
- 2 Ø95.25 PC Diameter

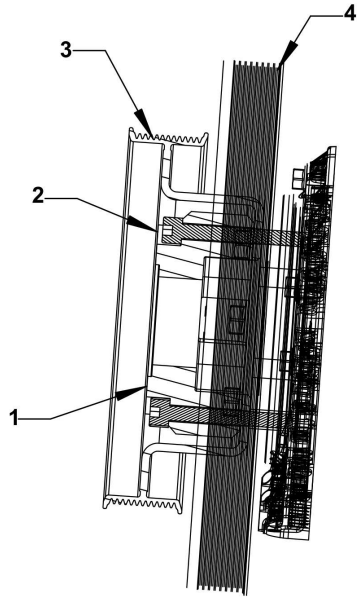
Part Description	Part Number
Adapter	21098686
Bolt	60111183



W4002368

Fig. 4 Exploded View, Front PTO Drive Adaptation, With 930 Sq. in. Radiator MP8 (1:2)

- 1 PTO Shaft Flange Mounting Surface
- 2 Adapter PTO Drive Coupling
- 3 Companion Flange with Base Engine
- 4 Engine Timing Case Cover

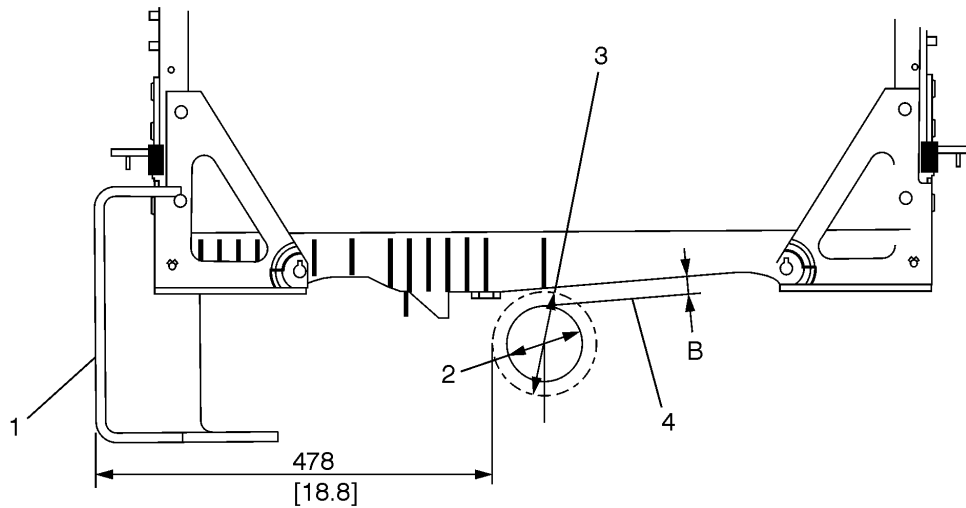


W4111399

Fig. 5 Exploded View, Front PTO Drive Adaptation, With 1240 Sq. in. Radiator MP8

- 1 PTO Shaft Flange Mounting Surface
- 2 Adapter PTO Drive Coupling
- 3 Fan Drive Pulley
- 4 Crankshaft Damper

Notes



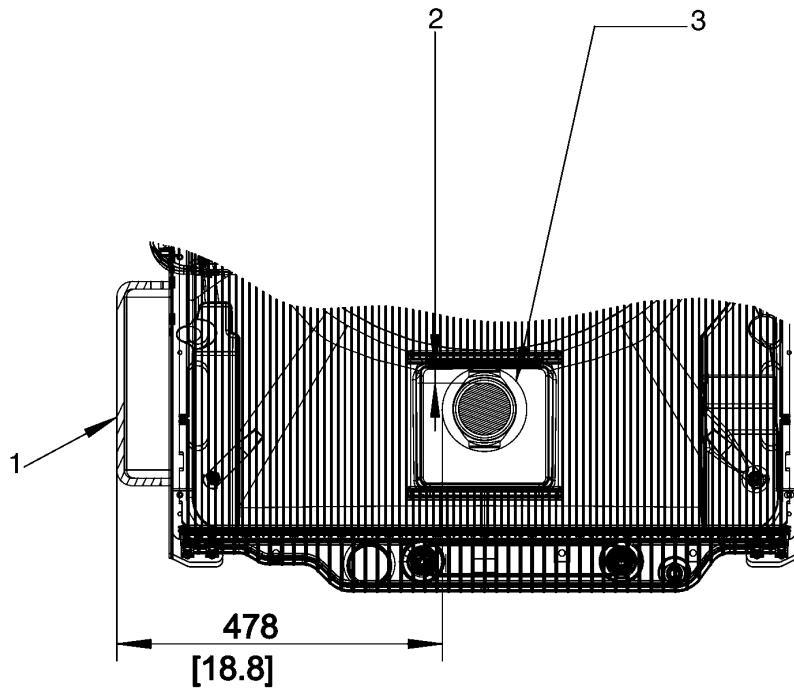
W4002365

Fig. 6 Partial Front View, With 930 Sq. in. Radiator MP8

- 1 RH Siderail
- 2 Tube diameter: 89 mm (3.5 in)
- 3 Swing diameter: 1410 Series joint, 124 mm (4.9 in)
- 4 Clearance to radiator with 1410 Series shaft tube in horizontal position.
- B Dimension (see table below)

Dimension	MP8 mm (in)
B	17 (0.7)

Notes



W4003030

Fig. 7 Partial Front View, With 1240 Sq. in. Radiator MP8

- 1 RH Siderail
- 2 76 mm Shaft Tube Clearance to Cooling Package
- 3 Swing diameter: 1410 Series joint, 124 mm (4.9 in)

Hydraulic Pumps

Abbreviations

HPE = Hydraulic pump mounted to an engine power take-off (**H**ydraulic **P**ump **E**ngine mounted).
HPG = Hydraulic pump mounted to a gearbox power take-off (**H**ydraulic **P**ump **G**earbox mounted).

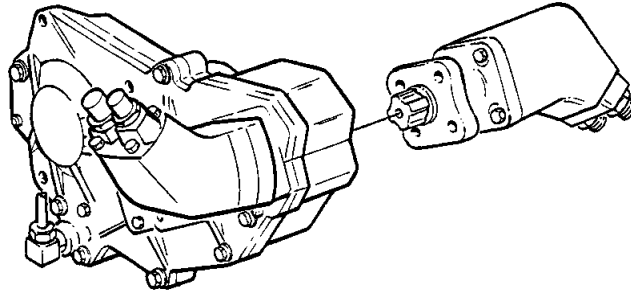
Pump Connection

There are two types of connections for hydraulic pumps:

- Din Drive pumps
- Flange mounted

Din Drive Pumps

Plugged-in pumps are connected directly to the power take-off via a splined shaft. Connection is done according to DIN5462/ISO 7653 standard 8 X 32 X 36 mm spineshaft.
The VP1- and F1 Plus pumps are available for plugged-in mounting

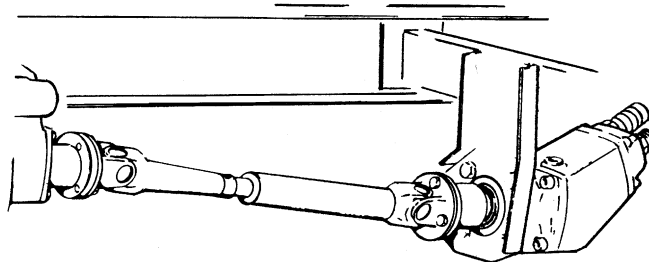


T4006560

Din mount

Flange Mounted Pumps

The hydraulic pumps can also be connected to the power take-off via a propeller shaft. Connection is done to a flange according to SAE 1300 or SAE 1400 standard.
The VP1- and F1 Plus pumps are possible to connect to a propeller shaft.



T9006112

Flange mounted

Hydraulic System and Pumps

Dimensioning of Hydraulic System and Hydraulic Pumps

Note: The body builder should enclose an information binder, delivered with the truck, including **hydraulic system data** (system dimensioning description and dimensioning criteria). Service, function and safety descriptions should also be enclosed.

Note: It is the sole responsibility of the hydraulic system installer to follow all pump manufacturers guidelines for hydraulic system installation. Mack Trucks only supplies the info below as a guideline from the pump manufacturer and is not responsible for any misinformation in this section.

It is important to dimension an optimum hydraulic system, and to specify the correct pump size to provide sufficient oil flow and prevent overloading of the power take-off.

Pipes, Lines, and Hoses



DANGER

Hoses and pipes should not be routed too near the warm points in the truck. Avoid crossed pipes which could cause chafing. Failure to follow this guide line increases the risk of fire if leakage occurs, and allows undue heat transfer to the hydraulic oil.

Connected to the hydraulic pump are a high-pressure hose, supply and drain lines.

When dimensioning the hydraulic system, it is important that:

- Hoses and lines must be connected to the pump with unions. O-ring seals must be used between pump and union.
- Tapered fittings should be avoided.
- Teflon tape or similar must not be used since pieces can break off and get into the hydraulic system and eventually cause damage.
- If steel piping is used, it must be installed so that movements and vibrations do not cause leakage. Normally hoses must be used nearest the pump.
- Oxide scale must be removed from pipes which have been heat-bent or welded. Flush or blow the pipes clean before installing them.

Notes

High-Pressure Hose

These hoses must have a minimum of four steel wire coil inserts in order to withstand the high pressure in the hydraulic system.

When mounting a high-pressure hose:

- Make sure the hoses are not twisted when connected up.
- Make sure the hoses are long enough.
- Strive to get as few bends as possible on a hose.
- Avoid kinks by using correct unions. Only pressed unions may be used when replacing hose unions.

Note: Check for oil leakage and for high noise levels in the system when the truck is in motion.

Supply Line

The supply line is made of piping or armored hose which retains its shape even when there is vacuum in the line.

To avoid cavitation:

- The supply line should be as short as possible and **should not exceed 4 meters (13.12 ft.)**. In the event longer lines are required, larger line dimensions must be used.
- The supply line should connect to the bottom of the tank and must be correctly tightened to prevent air getting into the oil.
- The supply line must have a wide diameter and must be free from kinks and constrictions. Do not use reducer fittings with restrictions.

Note: Avoid supply lines of high-pressure hooks and hooks made locally from pipe pieces welded together. They could cause unnecessary supply resistance.

Suitable supply line sizes at different flow quantities and with a flow speed of less than 0,8 m/s:

Inner diameter Ø mm (inches)	Flow up to liter/minute (gallons/minute)
50 (2.0)	0–120 (0–32)
64 (2.5)	101–150 (27–40)
75 (3.0)	> 150 (40)

Drain Line and Bypass Valve

If the hydraulic pump is installed to a constantly running PTO (i.e. — engine PTO), it is provided with a bypass valve.

The bypass valve reduces the oil flow through the pump to obtain proper lubrication, low heat generation and to avoid cavitation.

Fixed Displacement Pump

HPE-FXX (F1 single flow)

In order to prevent heat build-up in the pump during transportation, it is important that at least 5 liter/minute (1.32 gallons/minute) comes out of the filter at “q” (refer to the schematic below). This applies to an “open center” system when the valve is in the bypass mode (non-activated solenoid).

Note: If the flow at “q” is less than 5 liter/minute (5.28 quarts/minute) (caused e.g. by a high pressure drop in the main system) when the valve is in the bypass mode or if the hydraulic system is of the “closed center” type, then an external drain line **must be installed** from the bypass valve drain port directly to the hydraulic tank.

HPE-TXX (F2 twin flow)

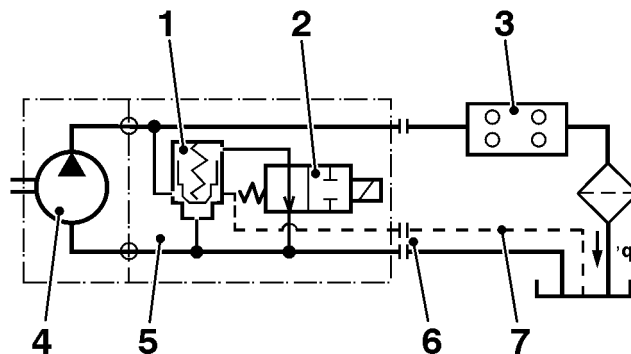
In order to secure a cooling flow through the system, a separate drain line is already connected to the bypass valve from factory and the other end of the hose is temporary plugged. At final assembly the hose should be connected to the hydraulic tank, entering below oil level (preferable to the filter housing on the oil tank).

Bypass Valve

For the fixed displacement hydraulic pumps the bypass valve is attached directly on top of the end cap of the hydraulic pump. It is electrical operated and the valve function must only be activated or released at no-load (below 20 bar) system pressure.

For F2- twin flow hydraulic pump it can be used when, temporarily, one of the two circuits is not required; the power loss is thus reduced as the non-required flow is not forced through lines and “open center” valves.

- 1 Pilot operated check valve
- 2 Solenoid valve
- 3 Directional control valve (“open center”)
- 4 Hydraulic pump
- 5 Valve block
- 6 Drain port
- 7 (External line)



T9008080

HPE-FXX

Variable Displacement Pump

HPE-VXX (VP1)

At final assembly, since the control valve on the hydraulic pump is not internally drained, there must be an external drain line installed between port "T" and the hydraulic tank.

Note: VP-1 Pump information can be found in the Pump Speed Calculator under the Tools tab on the Body Builder Portal Main Page.

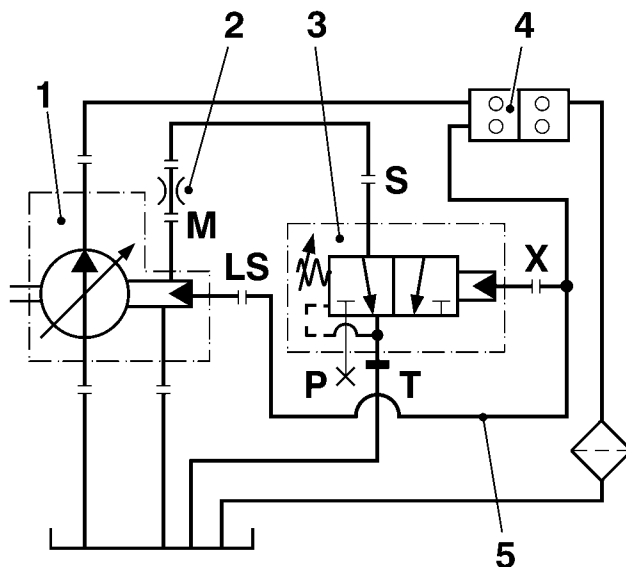
Bypass Valve

For variable displacement pump the bypass is, from factory, attached to the temporary oil reservoir and connected to the hydraulic pump via a hose to the port for gauge outlet, (on VP1-45 and VP1-75 port beside supply port and on the VP1-120 port "M" on the control valve).

The valve, which requires no additional control valve, allows the pump to operate on- or off-load up to its maximum self-priming speed.

When a load sensing valve function is engaged, the bypass flow is cut off (as port 'X' is being pressurized).

- 1 Hydraulic pump
- 2 Nipple with orifice
- 3 Bypass valve
- 4 Load sensing valve
- 5 Load sensing (LS) signal



W4003014

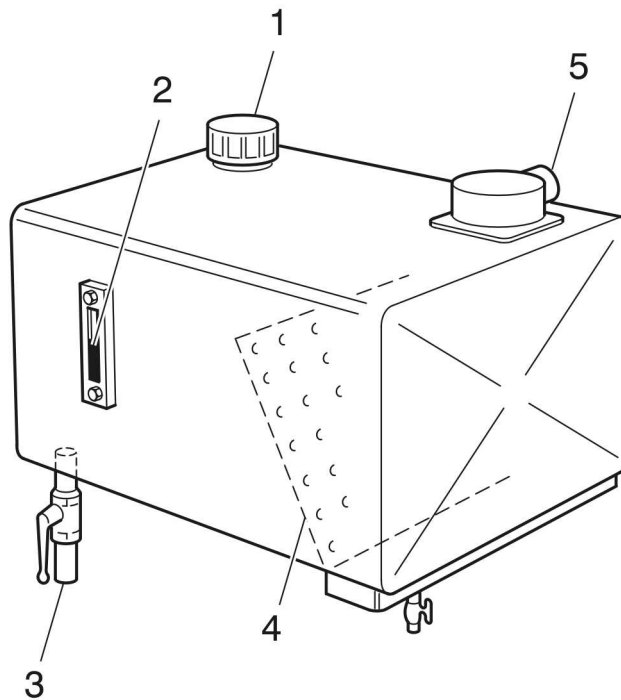
HPE-V120

Hydraulic Oil Tank

The tank must be large enough to avoid cavitation and overheating. A suitable volume is 1,5 times the nominal pump flow per minute.

The tank includes:

- 1 Air filter, fitted (as required) in a tube and provided with a non-return valve
- 2 Level gauge
- 3 Supply connector equipped with full-flow tap
- 4 Angled, perforated plate on which air bubbles accumulate and rise to the surface
- 5 Return oil filter



T9008314

Illustration is for reference only. May differ on specific vehicle.

When installing a hydraulic tank:

- The volume of the hydraulic tank must be dimensioned 1,5 times the nominal pump flow during normal working conditions.
- Make sure that the placing of the hydraulic tank does not limit the performance of the hydraulic pump.



WARNING

Hydraulic fluid level should be above the supply port of the pump or pump failure will occur.

- It is important that the deaeration surface is big enough. Prevent external dust and dirt from entering the hydraulic system. The inside of the tank must be well cleaned. To prevent dust getting into the system, the air filter should have the same filtration degree as the return oil filter.
- Oil is topped-up through the return oil filter, preferably via a rapid joint on the return line where the oil can be pumped in.
- Check oil level and ensure that it is oil of recommended type and viscosity.

Return Oil Filter

Note: The filter must be replaced at least once a year.

A return oil filter should be installed in the tank or in the return line. The filter should be dimensioned for a capacity which is approximately twice that of the pump flow.

Recommended filtration level:

- A 28 micron filter should be used with lower pressures of 0–200 bar (0–2900 psi).
- A 10 micron filter should be used with higher pressures of 200–300 bar (2900–4351 psi).

Check return pipe and filter condition and check for oil leakage.

Hydraulic Oil

Note: Do not mix oils of different quality.

Hydraulic fluids type HLP (DIN51524), automatic transmission fluid (ATF) Dextron II and engine oil type API/CD can be used.

Recommended viscosity:

- 20-30 mm²/s (.78–1.18 inches²/s) (cSt) .

Starting Up



CAUTION

Make sure the supply connector always is below the minimum level of the hydraulic oil. Failure to do so may result in component damage.

Make sure the entire hydraulic system is clean before filling it with a recommended fluid. In particular the pump, which must be purged to remove any entrapped air in the pump housing (use the uppermost purge port). Failure to do so may result in component damage.

Notes

Calculation of Hydraulic Pump Size

The following information is required to dimension the hydraulic system:

- Oil flow $Q=l/\text{min}$ (Quarts/min.), to the equipment
- Oil pressure $p=\text{bar}$ (psi), to do the work intended
- Permissible torque or power taken from the engine
- Permissible pump speed
- PTO Gear ratio

Engine Speed

Engine speed limit for engine mounted hydraulic pumps

Vehicles specified with engine mounted hydraulic pumps will always have a maximum engine speed (rpm) pre set from factory.

Depending of pump size and if the vehicle is equipped with BBM (Body Builder Module) or not, the setting is between 1700–2100 rpm.

This has been done by using data parameters in the vehicle control unit, and when the hydraulic pump is in service, the maximum engine speed cannot be overridden by pressing the throttle.

If the hydraulic system is designed in such way that the self-suction speed of the hydraulic pump is reduced, then the limited value should be modified using Premium tech tool.

Engine Speed Control

Check that the permissible speed, specified by the pump manufacturer on the pump, is not exceeded.

Pump speed per minute n is governed by engine speed ne and power take-off gear ratio Z :

$$n = ne \times Z$$

n = Pump speed (rpm)

ne = Engine speed (rpm)

Z = Power take-off gear ratio

Pump Speed

The maximum (self-suction) speeds given in the catalogue apply at 1.0 bar (14.5 psi) (abs.) intake pressure.

To achieve correct pump speed the following is required:

- Oil level approx. 0.5 m above pump inlet
- Correctly dimensioned supply pipe
- Original supply nipple
- Correctly designed hydraulic fluid reservoir

The flow speed in the supply pipes should be less than **1 m/s (39.36 in/hg)**. Poor oil supply conditions lead to cavitation, high noise levels, shorter operational lifetime and, in the worst case, pump failure.

Pump Capacity

The pump capacity or size **D** cm³/rotation (inches³/rotation) should be able to give sufficient oil flow **Q** l/min (inches³/min.) for the equipment. The choice of size depends on the oil flow required, engine speed and power take-off gearing. A small pump can give a large oil flow if the power take-off gear ratio is large, or if the engine speed is high.

Pump size is calculated as:

$$Q = \frac{D \times n \times \eta_v}{1000} \Leftrightarrow D = \frac{Q \times 1000}{n \times \eta_v}$$

n = Pump speed (ne x Z)

D = Pump size cm³/rotation (inches³/rotation)

ne = Engine speed

Q = Oil flow l/min (quarts/min.)

Z = Power take-off gear ratio

η_v = volumetric efficiency

Torque Control

A certain torque, **M_{ku}** is required from the power take-off at the pump shaft to drive the pump. This torque must not exceed the permissible torque for the power take-off. Expressed in Nm, this torque is:

$$M_{ku} = \frac{D \times p}{63 \times \eta_{hm}} < M_{ku, \text{till.}}$$

M_{ku} = Torque at power take-off (Nm)

D = Pump size cm³/rotation (inches³/rotation)

p = Hydraulic working pressure bar (psi)

M_{ku, till.} = Permissible torque for the power take-off Nm (ft-lb)

η_{hm} = Mechanical efficiency

< = Less than

Torque Control, Engine

Torque control of the engine **M_{mot}** must not exceed the permissible torque for the engine (please refer to the Body builder instructions "Power take-off, performance") at a given engine speed.

Engine torque is equal to power take-off torque x gear ratio.

$$M_{mot} = M_{ku} \times Z < M_{mot, till.}$$

M_{mot} = Engine torque Nm (ft-lb)

Z = Power take-off gear ratio

M_{ku} = Torque at power take-off Nm (lb/ft)

M_{mot, till.} = Permissible engine torque Nm (ft-lb)

< = Less than

Power Requirements

The power **N** needed to drive the pump is proportional to the flow and working pressure and inversely proportional to the efficiency of the pump η .

Check that pump power curve, to see that it has the capacity needed to provide the calculated power **N**.

$$N = \frac{Q \times p}{600 \times \eta t}$$

N = Power kW (hp)

Q = Flow through pump l/min (quarts/min.)

p = Working pressure bar (psi)

ηt = Overall pump efficiency(**app. 0.95**)

$$\eta t = \eta v \times \eta h m.$$

Notes

Example 1 (Dump), Selecting Pump Size Clutch Dependent PTO

Operating conditions

Flow	60-80 l/min (63–85 quarts/min.)
Pressure:	230 bar (3335 psi)
Engine rpm:	800 rpm
PTO ratio:	1:1.53

Determine the Pump Speed

$$n = n_e \times Z = 800 \times 1.53 = 1200 \text{ rpm}$$

Choosing the pump size

$$Q = \frac{D \times n \times \eta_v}{1000} \quad D = \frac{Q \times 1000}{n \times \eta_v} \quad \frac{70 \times 1000}{1200 \times 0,98} = 60 \text{ cm}^3/\text{rotation}$$

Select F1-61 and check torque and power.

Torque Requirement of the Pump

$$M_{ku} = \frac{D \times p}{63 \times \eta_{hm}} = \frac{59,5 \times 230}{63 \times 0,98} = 222 \text{ Nm}$$

Power Requirement of the Pump

$$N = \frac{Q \times p}{600 \times \eta_t} = \frac{70 \times 230}{600 \times 0,95} = 28 \text{ kW}$$

Notes

Example 2 (General crane), Selecting Pump Size Clutch Independent PTO

Operating conditions

Flow	80 l/min (84 quarts/min.)
Pressure:	250 bar (3626 psi)
Engine rpm:	800 - 900 rpm
PTO ratio:	1:0.97

Determine the Pump Speed

$$n = n_e \times Z = 800 \times 0,97 = 800 \text{ rpm}$$

Choosing the Pump Size

$$Q = \frac{D \times n \times \eta_v}{1000} \quad D = \frac{Q \times 1000}{n \times \eta_v} \quad \frac{80 \times 1000}{800 \times 0,98} = 102 \text{ cm}^3 / \text{rotation}$$

Select F1-101 and check torque and power.

Torque Requirement of the Pump

$$M = \frac{D \times p}{63 \times \eta_{hm}} = \frac{102,9 \times 250}{63 \times 0,98} = 417 \text{ Nm}$$

Power Requirement of the Pump

$$N = \frac{Q \times p}{600 \times \eta_t} = \frac{102 \times 250}{600 \times 0,95} = 45 \text{ kW}$$

Notes

Pump Types

The following pump types are available from MACK:

- Pumps with fixed displacement
- Pumps with variable displacement

Fixed Displacement Pump

This type of hydraulic pump is adapted for a single circuit system with fixed volume.

The fixed displacement pump consists internally of one or two single circuit(s), from the supply port to the pressure port(s).

Examples:

- HPE / HPG-F61 (Parker F1-61)
- HPE / HPG-F81 (Parker F1-81)
- HPE / HPG-F101 (Parker F1-101)
- HPE-T53 (Parker F2-53/53)
- HPE-T42 (Parker F2-42/42)

Variable Displacement Pump

This type of hydraulic pump is also adapted for a single circuit system, from the supply port to the pressure port, but with variable displacement. When installed in a load sensing system, the variable displacement pump (VP1) supplies the correct amount of flow required by the various work functions currently engaged. This means that the energy consumption and heat generated are minimized and much reduced in comparison with a fixed displacement pump used in the same system.

Examples:

- HPE / HPG-V120 (Parker VP1-120)

Notes

Delivery Conditions for Factory Installed Hydraulic Pumps



CAUTION

Hydraulic pumps must never be in use without oil flow in the hydraulic system. Failure to do so may result in component damage.

For Trucks with Transmission-mounted PTO:

To prevent the possibility to engage the hydraulic pump before definitive assembly, the following is done from factory:

- The PTO magnetic valve outlet is blocked up by a hexagon socket plug. One or two valves is plugged, depending on type of PTO.
- The valve nipple, which the body builder should connect, is placed in a plastic bag and strapped on the end of the pneumatic hose at magnetic valve.

For Trucks with Engine Mounted PTO:

The hydraulic pump is always engaged; therefore sufficient lubrication is needed continuously for the pump.

- To establish lubrication during transport from factory to final assembly at body builder, **a temporary hydraulic transport kit** is added at the factory.
- The components in the kit (tank, hoses and unions) should be replaced; **they are not dimensioned for the working pressure** in the definitive hydraulic system.

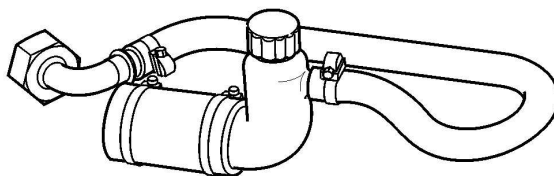
Note: The replacement must be performed in particularly clean conditions. Dirt and other contamination which finds its way into the hydraulic system could easily cause severe damage.

Temporary hydraulic transport kit

There are two different temporary kits, and the size of the oil reservoir differs:

1. Temporary hydraulic transport kit (for fixed displacement pumps)

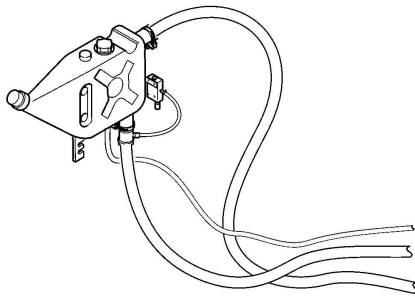
Engine	Amount of oil if refill is needed
MP7/MP8 (HPE-FXX)	0.3 ± 0.05 liter (0.32 ± 0.05 quarts)



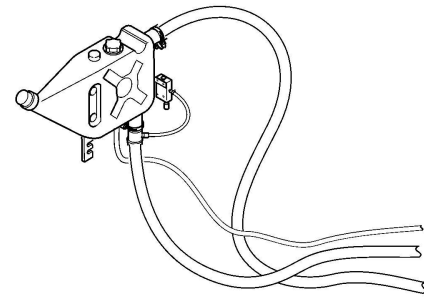
T9008337

2. Temporary hydraulic transport kit (for variable displacement or customer adaptation installed hydraulic pump)

Engine	Amount of oil if refill is needed
MP7/MP8	Minimum level on reservoir should be achieved after the engine is started. Approximately 10 liter (10.5 quarts).



T9008338



T9008338

MP7 Engine

With Engine Mounted PTO (MP7 and MP8)

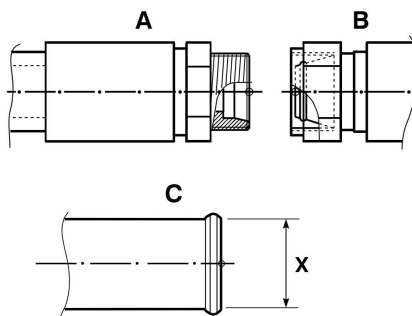
Connections to the Engine Mounted Hydraulic Pump

A Factory delivered Factory installed connection from the hydraulic pump. Dimension 25S (M36 x 2).

B Body builder Body builder's connection. Hose connection with 24° cone.

C Supply side Smallest external connection diameter see table below:

Hydraulic pump	Diameter X mm (inches)
PTES-FXX PTES-VXX HPE-V45 HPE-V75	50 (1.97)
HPE-FXX HPE-TXX HPG-FXX	63 (2.48)
HPE-V120 HPG-V120	75 (2.95)



T9008408

X = smallest external connection diameter.

Installation Requirements for Hydraulic Pump at Final Assembly



CAUTION

Hydraulic pumps must never be in use without oil flow in the hydraulic system. Failure to do so may result in component damage.

Fixed displacement pump, HPE-FXX (F1 single flow)

- Remove the temporary oil reservoir kit, tank, fittings and hoses are not designed for use in high pressure installations.
- See to that enough oil flow (minimum 5l/min) is running in the final hydraulic system back to the hydraulic tank when the hydraulic pump is running unloaded. If not, a drain line must be installed from bypass valve to hydraulic tank entering below oil surface (to avoid “foaming” the oil).

Fixed displacement pump, HPE-TXX (F2 twin flow)

- Remove the temporary oil reservoir kit, tank, fittings and hoses are not designed for use in high pressure installations.
- The drain hose from bypass valve, supplied loose from factory, must be connected to hydraulic tank entering below oil surface (to avoid “foaming” the oil). Dimension of hose fitting is M12x1,5 DIN 20078N. It is allowable to shorten the drain hose, but a new fitting must be attached in a proper way.

Variable displacement pump, HPE-VXX (VP1)

- Remove the temporary oil reservoir kit, tank, fittings and hoses are not designed for use in high pressure installations.
- The bypass valve attached to the tank together with the hose between pump and by pass valve shall be kept and a drain hose should be connected between port “T” and hydraulic tank. It is allowable to shorten the drain hose between pump and bypass valve but a new fitting (M12x1,5 DIN 20078N) must be attached to fit onto fitting in bypass valve.
- The load signal on its way to port “LS” at the load sensing regulator on the hydraulic pump shall be connected in port “X” on the bypass valve as well.
- A drain line must be installed between port “T” on the hydraulic pump and the hydraulic tank since the load sensing regulator is not internally drained.

Permissible Pump Bending Torque

The hydraulic pump mounted to a power take-off causes bending torque at the power take-off.

A transmission-mounted power take-off has the following maximum permissible torque:

PTR/PTRD with AMT–D and AMT–F Transmission

PTO	Maximum bending torque ft-lb (Nm)
PTR/PTRD	30 (40)
PTR	30 (40)

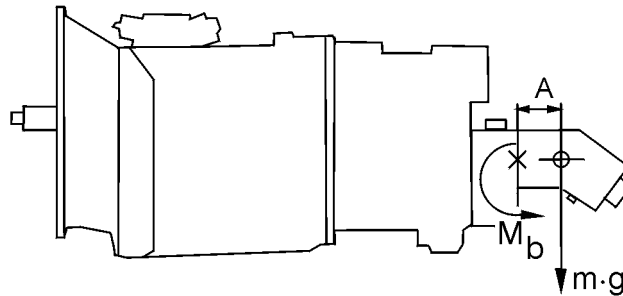
Calculation of Pump Bending Torque

Torque is calculated with the formula below:

$$M_b = m \times g \times A$$

- M_b** Bending moment at pump connection to power take-off (Nm).
- m** Pump weight (kg).
- g** Normal acceleration = 9.81 N/kg.
- A** Distance between pump center of gravity and anchorage on power take-off (m).

Note: This calculation method is used irrespective of PTO/pump location.

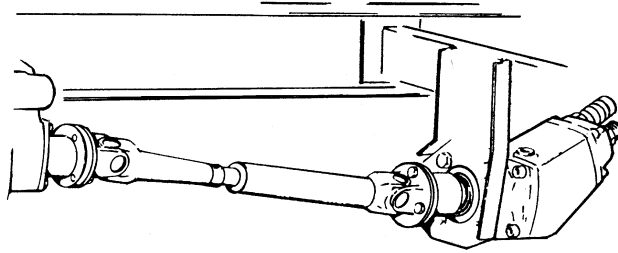


T9007591

Notes

Propeller Shaft Installation

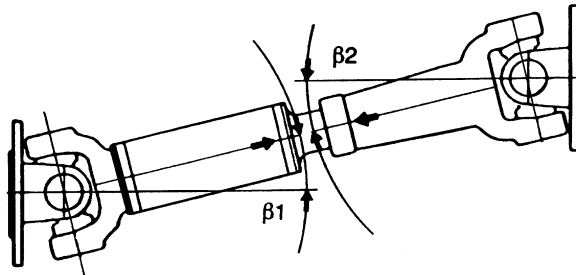
If a power take-off with coupling flange is to be used, the pump is installed by means of a bracket, either on an existing cross-member or on the sub-frame. An alternative method is to install an extra crossmember and install the pump on it. In this case, it is important to design the crossmember so that it can withstand the forces involved when the chassis twists and bends. The best way to achieve this is to design the crossmember as a normal, intermediate crossmember.



T9006112

The same requirements apply to power take-off propeller shafts as for drive line propeller shafts. For best service life, the true joint angle should be kept between 0.5 – 8 degrees.

It is important that angles β_1 and β_2 are equal.



T9006113

Notes

Specifying the Pump

The PTO and the hydraulic pump must be selected to function properly in the application(s) for which the truck is intended. For example, a refrigeration unit must continue to operate while the vehicle is mobile, and the dump body must continue to operate while the vehicle is stationary. The PTO and pump also must have sufficient flow — dependent on oil flow, pressure, and the efficiency of the pump — to perform the designated work. The pump must be specified to achieve the flow of hydraulic oil required to ensure satisfactory operation of the equipment.

Input Data

The equipment driven by the hydraulic system requires a certain oil flow and working pressure. The components driving the hydraulic system must not be overloaded.

Several variables affect specification of the correct PTO/pump combination for the hydraulic system. Typically, this information can be found on the *hydraulic equipment manufacturer's* data sheet. Equipment power requirements can include:

- Oil flow (Q) in LPM (GPM).
- Oil pressure (p) in bar (psi).
- Permitted torque/power output of the PTO.
- Permitted speed of the pump.
- Truck operating speed (spreading).

Calculating pump displacement cc/rev (in³/rev)

$$D = \frac{Q \times 231}{N_e \times Z} \quad \text{or} \quad \frac{D \times N_e \times Z}{231}$$

Calculating PTO/pump torque Nm (ft-lb)

$$T = \frac{D \times p}{74}$$

Calculating PTO/pump power kW (hp)

$$P = \frac{Q \times p}{1680 \times n}$$

Checking maximum PTO/pump speed (rpm)

$$N_p = N_e \times Z \quad \text{or} \quad N_e = \frac{N_p}{Z}$$

Q	=	Flow	LPM (gpm)
Ne	=	Engine speed	(rpm)
Np	=	Pump speed	(rpm)
Z	=	PTO ratio	(0.60, 0.73, 0.91, 1.23, 1.30, 1.54, 1.62)
D	=	Dump displacement	cc/rev (in ³ /rev)
p	=	Working pressure	bar (psi)
P	=	Power	kW (hp)
T	=	Torque	Nm (ft-lb)
μ	=	Efficiency	0.75 - 0.85 Gear Pump 0.90 - 0.95 Piston Pump

Pump Capacity, Displacement

The pump capacity or size (D = cc/rev (in³/rev)) must be able to offer sufficient flow (Q = LPM (GPM)) for the proper operation of the equipment. The selection of the pump size depends on the desired flow, engine speed, and PTO ratio. A small pump can allow a large flow if the PTO ratio or engine speed is high enough.

Use the following to calculate pump size:

D Pump Size cc/rev (in³/rev)

Q Flow LPM (GPM)

Ne Engine Speed (rpm)

Z PTO Ratio

$$D = \frac{Q \times 231}{Ne \times Z} \quad \text{or} \quad Q = \frac{D \times Ne \times Z}{231}$$

RECOMMENDATION

Select the highest possible PTO ratio and the smallest pump size that meet the requirements without exceeding the pump speed, pressure, and power limits.

PTO/Pump Power Requirements

The engine must provide sufficient power to drive the pump.

The power (P) required to drive the pump is in direct proportion to the flow and working pressure, and is in inverse proportion to the pump efficiency (n).

Use the following to calculate the engine power requirement:

- P** Power kW (hp)
- Q** Flow Through the Pump LPM (GPM)
- p** Working Pressure
- n** Pump efficiency

$$P = \frac{Q \times p}{1680 \times n}$$

Engine Operating Speed Recommendation

PTO Power Requirement hp (kW)	Engine rpm (Ne)
< 40 (30)	700 - 800
42 – 67 (31 - 50)	800 - 900
68 – 94 (51 - 70)	900 - 1000
> 95 (71)	>1000

Notes

Checking PTO Torque

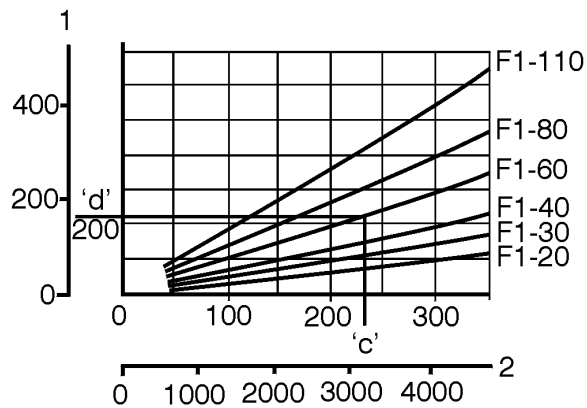
A certain torque is required from the PTO on the pump shaft to drive the pump. This torque should be less than that which is permitted on the PTO itself.

Use the following to calculate the PTO torque:

- T** Torque — Nm (ft-lb)
- D** Pump Size — cc/rev (in³/rev)
- p** Hydraulic System Pressure — bar (psi)
- T_{perm}** Permitted Torque on PTO (< Engine Torque)

Note: If only the engine power curve is available, check as described in “PTO/Pump Power Requirements”, page 65 .

$$P = \frac{Q \times p}{1680 \times n} < T_{perm}$$



W4002390

Torque Curve, Parker/VOAC Pumps

Speed Check

Make sure that the permitted speed of the pump (as stated by the pump manufacturer) is not exceeded.

The pump speed (N_p) is governed by the engine speed (N_e) and the PTO ratio (Z).

Use the following to calculate pump speed:

N_p Pump Speed/Minute

N_e Engine Speed (rpm)

Z PTO Ratio (%)

Constant speed during driving is obtainable with a variable pump. The engine speed (N_e) for a clutch-dependent PTO is often set to operate around 1000 rpm (engine). If the PTO is driven with an inappropriately low engine speed, an uneven flow can occur as the engine speed drops during loading.

$$N_p = N_e \times Z \quad \text{or} \quad N_e = \frac{N_p}{Z}$$

Power Requirements vs. Engine Speed

PTO Power Requirement hp (kW)	Engine rpm (N_e)
< 40 (30)	700 - 800
42 – 67 (31 - 50)	800 - 900
68 – 94 (51 - 70)	900 - 1000
> 95 (71)	>1000

Notes

Supply and Pressure Lines

The size (diameter and length) of the supply/pressure lines also will affect the function of the hydraulic system (see “Hydraulic Line Requirements”, page 69).

The supply line should be of sufficient diameter and minimum length without restrictions (pipe adapters) between the pump and the oil reservoir connection. A pressure line with insufficient diameter will create unnecessary pressure losses in the form of heat. A flow of 11.5 LPM (30 GPM) with a pressure drop of 9.65 bar (140 psi) will generate approximately 1.7 kW (5800 BTU).

Use a calculation sheet to determine the correct PTO/pump combination (see “Calculating/Selecting a PTO and Matching Pump”, page 68 .

Calculating/Selecting a PTO and Matching Pump

Customer	_____		

Vehicle	_____		
Engine	_____		
Transmission	_____		
Equipment	_____		
1. Equipment flow demand	Q =	_____	lpm (gpm)
2. Working pressure	p =	_____	bar (psi)
3. PTO alternative ratio	Z =	_____, _____, _____	
4. Pump alternatives	D =	_____, _____, _____	
5. Engine working speed	Ne =	_____, _____, _____	rpm

Pump displacement cc/rev (in³/rev)

PTO/pump power kW (hp)

$$D = \frac{Q \times 231}{Ne \times Z} \quad \text{or} \quad \frac{D \times Ne \times Z}{231}$$

$$P = \frac{Q \times p}{1680 \times n}$$

PTO/pump torque Nm (ft-lb)

$$T = \frac{D \times p}{74}$$

Hydraulic Line Requirements

Supply Pipe/Line

The figures in the table show the minimum inside diameter without restrictions (pipe adapters) of a supply pipe from the tank into the pump needed to avoid cavitation (noise). Other parts of the system can be designed differently, depending on installation requirements.

Minimum Inside Diameter

VOAC F1 - Pump	Inside Diameter of supply Pipe	
F1-61	38/50 mm	1.5/2.0 in
F1-81/101	50/65 mm	2.0/2.5 in



CAUTION

A supply line with insufficient diameter will create cavitation damage and low pump efficiency. Hydraulic fluid level should be above the supply port of the pump or pump failure will occur.

Pipe/Line Selection

To prevent cavitation (noise) damage and excessive pressure losses (heat), the inside diameter of the pipe must be the correct size. Do not exceed the maximum flow speeds.

Maximum Allowable Flow Speeds

Line Type	Pressure bar (psi)	Flow Speed m/s (ft/s)
Supply	—	0.45 – 1.07 (1.5 - 3.5)
Pressure	103 – 310 1500 - 4500)	3.05 – 4.88 (10 - 16)



CAUTION

A pressure line with insufficient diameter will create unnecessary pressure losses which will appear as heat. A flow of 113.5 LPM (30 GPM) with a pressure drop of 9.65 bar (140 psi) will generate approximately 1.7 kW (5800 BTU), which can cause abnormal wear and damage to components.

Select the smallest inside line diameter that meets the flow speed recommendations.

Recommended Inside Line Diameter

Fluid Flow	Flow Speed m/s (ft/s) at Indicated Inside Line Diameter				
	19.1 mm (0.75 in)	25.4 mm (1.00 in)	31.8 mm (1.25 in)	38.1 mm (1.50 in)	50.8 mm (2.00 in)
LPM (gpm)					
37.9 (10)	2.23 (7.3)	1.25 (4.1)	0.79 (2.6)	0.55 (1.8)	0.3 (1.0)
56.8 (15)	3.32 (10.9)	1.86 (6.1)	1.19 (3.9)	0.82 (2.7)	0.46 (1.5)
75.7 (20)	4.42 (14.5)	2.5 (8.2)	1.58 (5.2)	2.0 (3.6)	0.61 (2.0)
94.6 (25)	N/A	3.1 (10.2)	1.98 (6.5)	1.37 (4.5)	0.79 (2.6)
113.6 (30)	N/A	3.75 (12.3)	2.38 (7.8)	1.68 (5.5)	0.91 (3.0)

Pressure Pipe

Supply Pipe

Oil Reservoir Tank

As a guide, an oil reservoir tank with a capacity 1 or 2 times the pump flow/minute will be sufficient. For shorter periods of operation, a smaller capacity may be used.

Prior to installation, the oil reservoir must be cleaned to remove all manufacturing debris. The inside area should be treated with oil-resistant paint. Prior to filling the tank, the oil should be poured through a filter to eliminate any possibility of dirt entering the tank. An oil filter with a rating of 10 microns (absolute) should be installed in the tank or return line. Oil filters should be changed annually.

RECOMMENDATION

51 mm (2 in) supply line should be used between pump and reservoir (with no reducer fitting); supply line restrictions should be minimized.

RECOMMENDATION

51 mm (2 in) ball valve should be used as shut-off device whenever feasible.

Hydraulic Piston Pumps

Mack Trucks offers both single and twin-flow Parker hydraulic pumps, which can be driven in the following ways:

- Direct-driven pump – can be mounted directly on the PTO, either at the factory or by the body builder company, in accordance with the DIN 5462/ISO 7653 standard. All Parker F1 and F2 pumps can be direct mounted to either the transmission or engine PTO.
- Single driveshaft driven pump – can be driven by a driveshaft connected to the PTO SAE 1310/1410 flange and are typically mounted by the body builder company.

F1 and F2

Pump Frame Size	25	41	61	81	101	42 A	42 B	53 A	53 B
Displacement (cu.in/rev)	1.56	2.50	3.63	4.98	6.28	2.62	2.50	3.29	3.17
Max Continuous Pressure	3,600	3,600	3,600	3,600	3,600	5,000		5,000	
Max Intermittent Pressure	5,000	5,000	5,000	5,000	5,000	5,800		5,800	
Min Speed RPM @ Max Pressure Max	2700	2700	2700	2300	2300	2,550		2,550	
	2200	2100	1900	1750	1550	1800		1800	
Continuous Max Output Horsepower Intermittent	26.8	36.2	45.5	54.9	64.3	117		147	
	34.8	49.6	59.0	72.3	83.1	134		168	
Weight (lbs)	18.7	18.7	18.7	27.5	27.5	41.8		41.8	



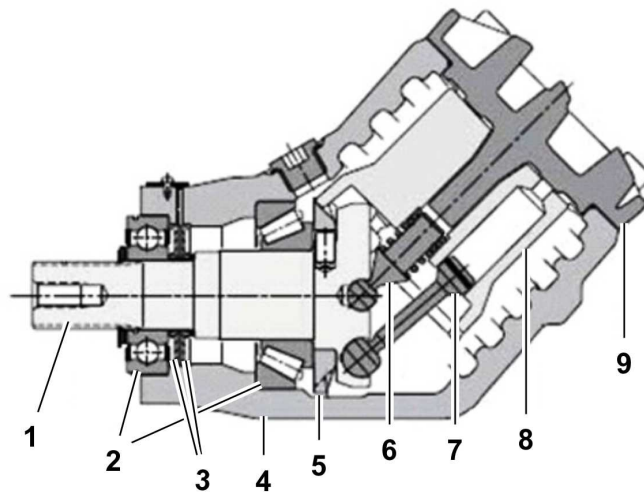
W9114241

The F1 and F2 are piston pumps that are larger in size than the GP1, piston pumps are more efficient than gear pumps and therefore produce less heat during the operation.

Piston pumps are 97% efficient at ~1000 rpm.

F1 Pump Features:

- Higher self-priming speeds
- Operating pressures to 400 bar
- Higher overall efficiency
- Increased reliability
- Reduced noise level
- Easier to change direction of rotation
- Optimized commutation - low flow pulsations
- Installation above the reservoir level possible
- Smaller installation dimensions



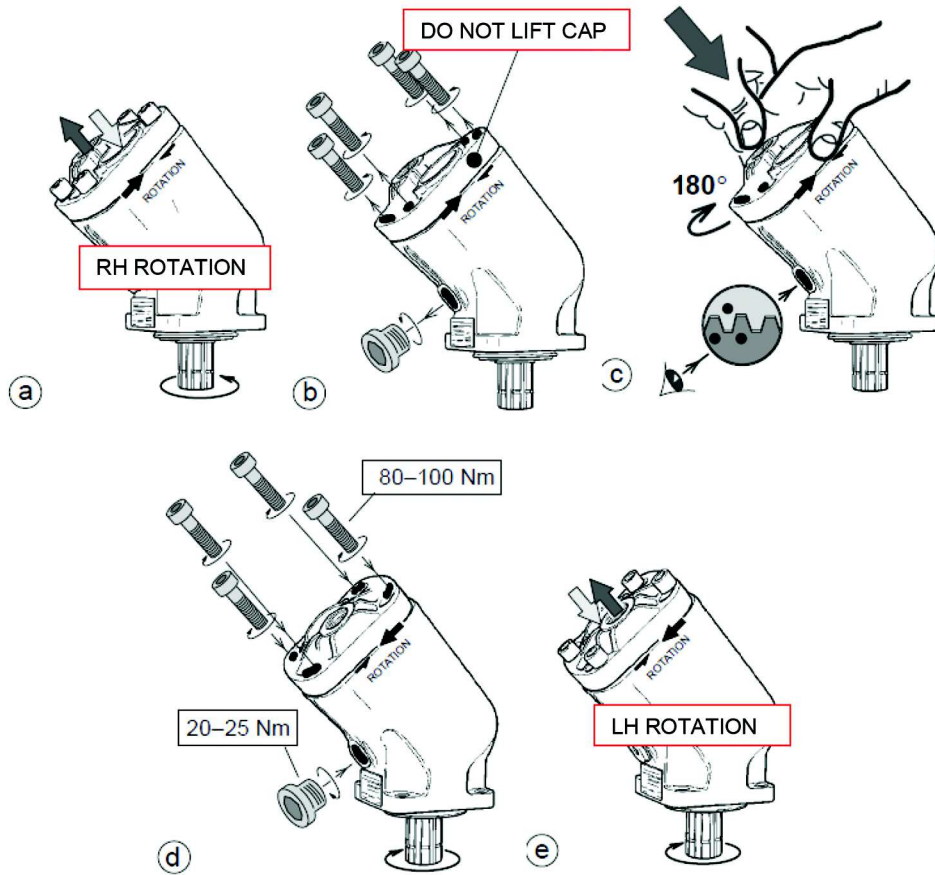
W9124202

1. Input shaft
2. Bearings
3. Shaft seals
4. Housing
5. Timing gear

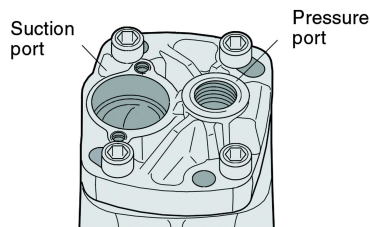
6. Barrel support
7. Piston with piston ring
8. Cylinder barrel
9. End cap

Pump Rotation Change RH to LH (Applies to F1 Series Only)

Recommend holding pump in vise: Follow steps (a) through (e) below.

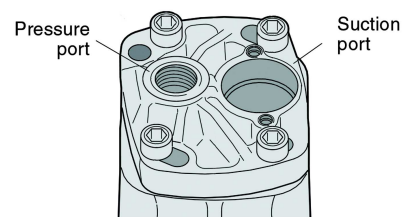


W9122747



W9124467

Left hand rotation



W9124468

Right hand rotation

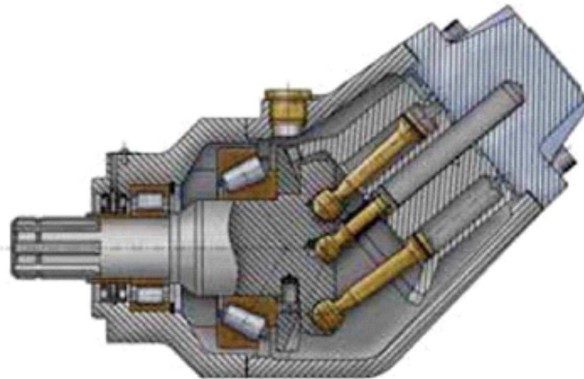
F2 Pump Features:

Series F2 is a further development of the twin-flow version of series F1, the very first bent-axis truck pump on the market to feature two entirely independent flows. With a suitable build-up of the hydraulic system, the main advantage with a twin-flow pump is that three different flows can be provided at the same engine speed. The twin-flow pump makes it possible to further optimize the hydraulic system and offers:

- Less energy consumption
- Reduced risk of system overheating
- Lower weight when compared to installation of two pumps
- Easier installation
- Standardized system solutions

The twin-flow pump makes it possible to operate two work functions that are independent of each other while allowing higher speed and an increased operating precision. Another requirement can be a large and a small flow, or two equal flows. All of these alternatives are possible with the twin-flow pump.

The pump can be utilized to provide one flow at high system pressure, and, as soon as the pressure has decreased sufficiently, add the flow from the other circuit. This eliminates the risk of exceeding the PTO power rating and, at the same time, provides an optimal driving function.



W9114243

Notes

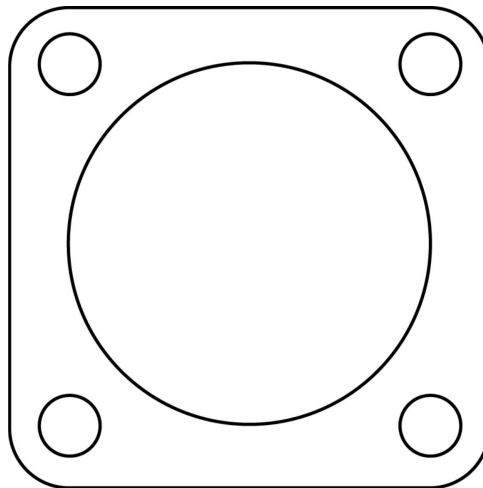
Parker provides charts to determine the most suitable pump for a PTO operation; the charts are in metric so a conversion to conventional US units is required.

1 bar = 14.503 psi
 1 Liter = .26417 gallons
 1 kW = 1.3404 hp

Pump Flow (gpm) at Pump Speed (rpm)							
Pump	1000 rpm	1200 rpm	1400 rpm	1600 rpm	1800 rpm	2000 rpm	2200 rpm
F1-25	6.8	8.1	9.4	10.8	12.2	13.5	14.9
F1-41	10.8	12.9	15.1	17.2	19.4	21.6	23.7
F1-61	15.7	18.9	22.0	25.1	28.3	31.4	34.6
F1-81	21.6	25.9	30.2	34.5	38.8	43.1	————
F1-101	27.0	32.4	37.8	43.2	48.5	————	————
F2-42/42	11.3/10.8	13.6/13.0	15.9/15.2	18.1/17.3	20.4/19.5	————	————
F2-53/53	14.3/13.7	17.1/16.5	20.0/19.2	22.9/22.0	25.6/24.7	————	————

*Refer to the specific Product Information bulletins in TM2 for pump housing dimensions and performance.

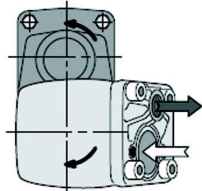
Note: A new gasket is necessary, when installing a new pump. The gasket is available as part number 20551226.



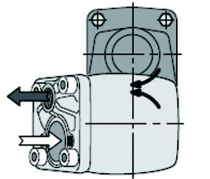
W9122748

Pump Bearing Life

Bearing life is dependent on how the pump is installed on the PTO as shown in the illustrations below.



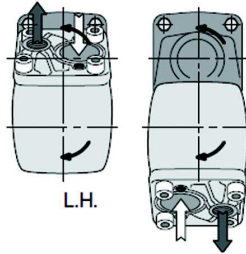
Left hand (L.H.) rotating pump



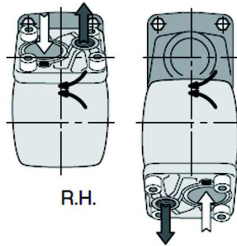
Right hand (R.H.) rotating pump

Fig. 1.

Bearing life is dependent on how the pump is installed on the PTO as shown in the illustrations below.



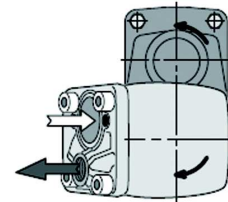
L.H.



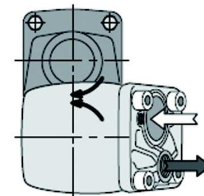
R.H.

Fig. 2.

Parker Hannifin will assist in determining bearing life in a particular application.



L.H.



R.H.

Fig. 3.

Supplier PTO/Pump Literature

For additional PTO/pump information and specifications, contact the appropriate PTO/pump manufacturer.

Bezares

Contact Bezares at 888-663-1786 for pump literature or visit the following site:

www.pto-us.com

Muncie

Contact Muncie at 800-367-7867 for pump literature or visit the following site:

www.munciepower.com

Parker/Chelsea

Contact Paker/Chelsea at 662-895-1011 for pump literature or visit the following site:

www.parker.com

Permco

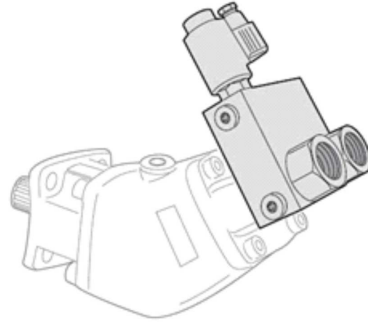
Contact Permco at 800-626-2801 for pump literature or visit the following site:

www.permco.com

Notes

BPV-F1 Bypass Valve

An F1 pump supplied with a bypass valve can be utilized in applications where the pump is operating constantly i.e. when the pump is driven from the crankshaft through a driveshaft or mounted directly to a DIN 5462 REPTO or it can be installed on a PTO. In most cases, the bypass valve allows the pump to be driven at max engine rpm during transportation at no load. This prevents pump cavitation and high heat generation which may otherwise be encountered at large flows. The BPV valve connects the outlet and inlet ports of the pump, and only a small oil flow goes through the system to the tank. The valve is installed directly on top of the pump port surface with 'banjo' fittings. As the BPV valve is symmetrical it can be 'turned 180°' to suit either left hand or right hand pump rotation, or to prevent interference with chassis components. The valve can only be engaged or disengaged (through a 12 VDC solenoid) at no-load system pressure.



W9114244

Bypass Valve			
Model	Pump Application	Parker Part No.	Mack Part No.
BPV-F1-25	F1-25	3787712	21418975
BPV-F1-25	F1-41, F1-51, F1-61	3787047	21230082
BPV-F1-81	F1-81, F1-101	3787048	21230083
BPV-F2	F2-42, F2-53	3781851	20374479

BPV-F1-25 and -81 Bypass Valve

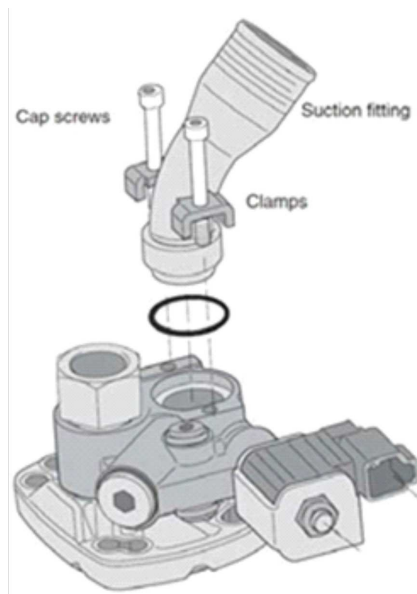
The bypass valve is mainly utilized in applications where the F1 pump is driven from the crank-shaft through a driveshaft, or when it is installed on a REPTO. The BPV bypass valve should be engaged during transportation when the pump is operating constantly and the engine is running at max rpm; the hydraulic system is not sized for the large flow that would otherwise go through it. The BPV valve substantially reduces the energy loss during transportation. The valve installs directly on top of the pump end cap with a pressure port 'banjo' fitting and an inlet port spacer bushing with two cap screws; refer to the illustration below. As the BPV valve is symmetrical, it can be 'turned 180°' to prevent interference with chassis components; it can be utilized for either left hand or right hand pumps. The valve function must only be activated or released (by means of a 12V VDC solenoid) at no-load (below 290 psi) system pressure.

Important Information

In order to prevent heat build-up in the pump during transportation, it is important that at least 1.3 gal/min comes out of the filter at 'q' (refer to the schematic). This applies to an "open center" system when the valve is in the bypass mode (non-activated solenoid).

Note: a) If the flow at 'q' is less than 1.3gal/min (caused e.g. by high pressure drop in the main system) when the valve is in the bypass mode.

b) If the hydraulic system is of the 'closed center' type, then an external drain line must be installed from the bypass valve drain port directly to tank as shown in the schematic; a drain kit is available.



W9114245

Hydraulic Wet Kits

Use of the Parker F1, F2 and GP1 pumps requires components that are not traditionally installed into NA truck hydraulic systems.

1) To modulate the flow of oil so that the operation of the hydraulic system can be regulated traditional systems use a control valve that is incorporated into the pump assembly. The Parker F1, F2 and GP1 require the addition of an oil flow regulator to be installed in the circuit remotely from the pump to control the flow of the oil from the pump to the system actuator.

2) Parker F1 and F2 pumps run very tight tolerances to achieve the 97% pump efficiency so the system requires that a filter element be installed into the return line to filter out debris as the oil returns to the tank. A pressure gauge is recommended to be installed in the filter housing to indicate when the filter element has trapped sufficient debris that it restricts the flow of oil back to the tank and requires the replacement of the filter.

Installation and Start-up for F1 and F2 Hydraulic Pumps

Fluids — Need to operate with a high quality, mineral based hydraulic oil. Type HLP hydraulic oil is suitable, as well as biologically degradable fluids like natural and synthetic esters and polyalphaolefins.

- SS 15 54 34
- SMR Hydraulic Oil Standard 1996-2

*Contact Parker Hannifin for further information.

Start-up — Make sure the entire hydraulic system is clean and the pump is filled (to at least 50%) with a recommended hydraulic fluid, as the internal leakage does not provide sufficient lubrication at start-up.

Drain Line — Fixed displacement pumps don't need an external drain line as they are internally drained. However, when the pump is mounted on an engine PTO, it is recommended to mount a drain line from the bypass valve directly to the oil tank if in doubt.

Notes

High Pressure Hose

These hoses must be designed to withstand the high pressure in the hydraulic system. When installing a high pressure hose:

- Make sure the hoses are not twisted when connected.
- Make sure the hoses are long enough.
- Strive to get as few bends as possible on a hose.
- Avoid kinks by using correct unions.

Hydraulic Flow Pump, MP7 Engine, (GPM) at Pump Speed (rpm) REPTO

Parker/VOAC Pump ¹	Ratio	Pump Speed (rpm)					
		800	900	1000	1200	1400	1600
		L/min (gpm)	L/min (gpm)	L/min (gpm)	L/min (gpm)	L/min (gpm)	L/min (gpm)
F1-61	1:1.08	51 (13.5)	58 (15.3)	64 (16.9)	77 (20.3)	90 (23.8)	103 (27.2)
F1-81	1:1.08	71 (18.8)	79 (20.9)	88 (23.2)	106 (28.0)	123 (32.5)	141 (37.2)
F1-101	1:1.08	89 (23.5)	100 (26.4)	111 (29.3)	133 (35.1)	156 (41.2)	178 (47.0)
F2-42/42	1:1.08	37/35 (9.8/9.2)	42/40 (11.1/10.6)	46/44 (12.2/11.6)	56/53 (14.8/14.0)	65/62 (17.2/16.4)	74/71 (19.5/18.8)
F2-53/53	1:1.08	47/45 (12.4/11.9)	52/51 (13.7/13.5)	58/56 (15.3/14.8)	70/67 (18.5/17.7)	82/79 (21.6/20.9)	93/90 (24.6/23.8)

Hydraulic Flow Pump, MP7 and MP8 Engines, (GPM) at Pump Speed (rpm) REPTO

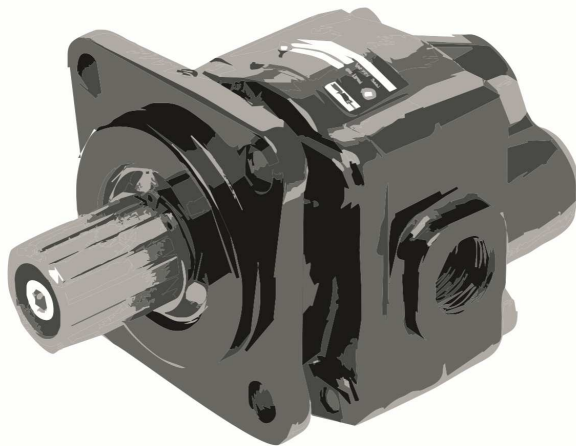
Parker/VOAC Pump ¹	Ratio	Pump Speed (rpm)					
		800	900	1000	1200	1400	1600
		L/min (gpm)	L/min (gpm)	L/min (gpm)	L/min (gpm)	L/min (gpm)	L/min (gpm)
F1-61	1:1.26	51 (13.5)	58 (15.3)	64 (16.9)	77 (20.3)	90 (23.8)	103 (27.2)
F1-81	1:1.26	71 (18.8)	79 (20.9)	88 (23.2)	106 (28.0)	123 (32.5)	141 (37.2)
F1-101	1:1.26	89 (23.5)	100 (26.4)	111 (29.3)	133 (35.1)	156 (41.2)	178 (47.0)
F2-42/42	1:1.26	37/35 (9.8/9.2)	42/40 (11.1/10.6)	46/44 (12.2/11.6)	56/53 (14.8/14.0)	65/62 (17.2/16.4)	74/71 (19.5/18.8)
F2-53/53	1:1.26	47/45 (12.4/11.9)	52/51 (13.7/13.5)	58/56 (15.3/14.8)	70/67 (18.5/17.7)	82/79 (21.6/20.9)	93/90 (24.6/23.8)

Parker Hannifin Pressure Fittings

A special pressure fitting is required to convert the threads in the pump from BSPP to SAE J37. These fittings are available from Mack Trucks under the following part numbers.

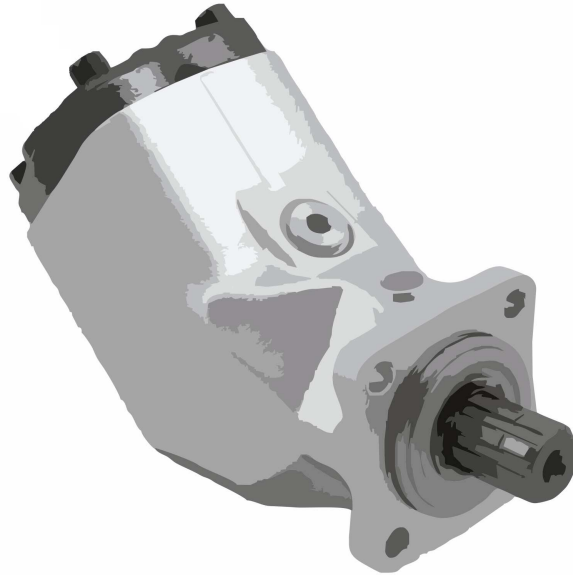
Mack Part Number	Pump Size	BSPP Thread	Tube Size mm (in)
4643-12F40MXS	F1-41, F1-51, F1-61 F2-52 / 52, F2-42 / 42 GP1-23, GP1-41	3/4 x 14	19 (3/4)
4643-16F40MXS	F1-81, F1-101	1 x 11	25 (1)
4643-1620F40MXS	GP1-60, GP1-80, GP1-100	1 1/4 x 11	25 (1)
4643-20F40MXS	GP1-60, GP1-80, GP1-100	1 1/4 x 11	30, 32 (1 1/4)
4643-24-20F40MXS	GP1-60, GP1-80, GP1-100	1 1/4 x 11	38 (1 1/2)

Hydraulic Pumps Offered By Mack



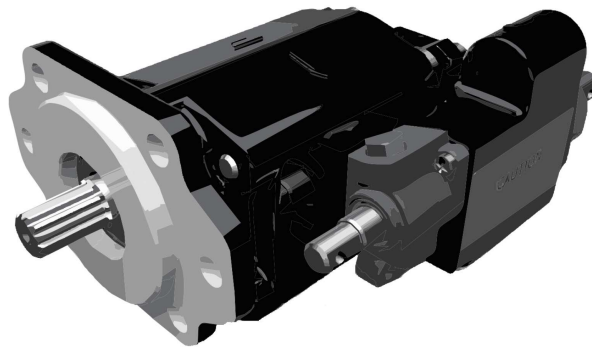
W9133804

Parker Gear Pumps		
Model	Parker Part No.	Mack Part No.
GP1-23	3789383	22045713
GP1-41	3789384	22045714
GP1-60	3789385	22045715
GP1-80	3789386	22045716
GP1-100	3784184	22725227



W9133805

Parker Bent Axial Piston Fixed Pumps		
Model	Parker Part No.	Mack Part No.
F1-25	3781524	20455918
F1-41	3781540	20392941
F1-51	3781550	20392942
F1-61	3781560	20392943
F1-81	3781580	20392944
F1-101	3781600	20392945
F2-42 / 42	3785783	20909025
F2-53 / 53	3783573	20458341

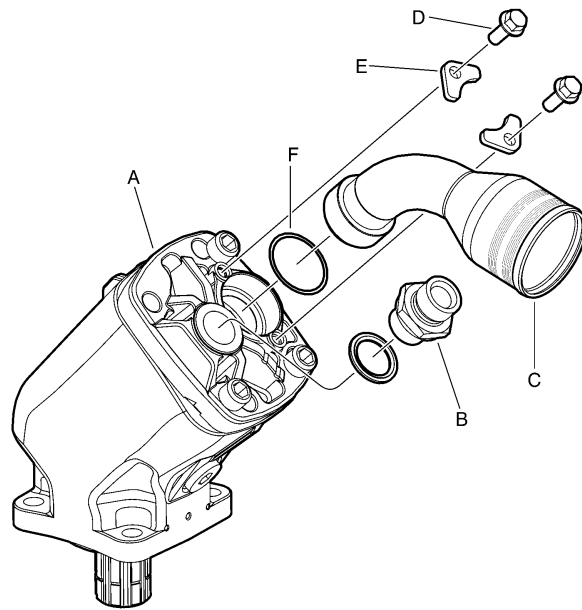


W9133806

Parker Dump Pump		
Model	Parker Part No.	Mack Part No.
G102	3089310913	22745915

Note: Pump specifications can be found in the Pump Speed Calculator or at www.parker.com

Flow Pump, Exploded View



W4003046

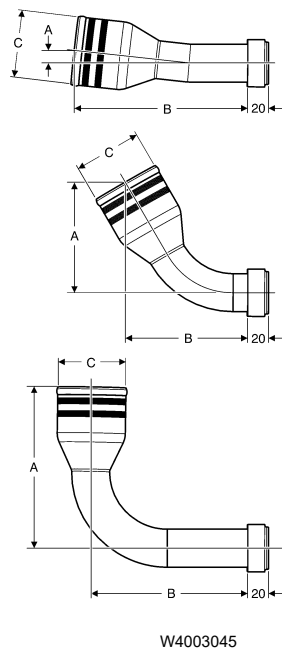
Flow Pump, Exploded View	
A	Pump Assembly
B	Pressure Fitting
C	Oil Supply Tube Kit
D	Screw, included in Tube Kit
E	Clamp, included in Tube Kit
F	O-ring, included in Tube Kit

PTO Fittings

Straight Fitting			
Part Numbers	A mm (in)	B mm (in)	C mm (in)
85100131	17 (0.6)	136 (5.4)	50 (2)

45 Fitting			
Part Numbers	A mm (in)	B mm (in)	C mm (in)
85100585	67 (2.6)	110 (4.3)	50 (2)

90 Fitting			
Part Numbers	A mm (in)	B mm (in)	C mm (in)
85114334	135 (5.3)	83 (3.3)	50 (2)
85114335	147 (5.8)	103 (4.1)	63 (2.5)



Images from top to bottom:

Straight Fitting

45° Fitting

90° Fitting

Note: All pumps have a right hand direction of rotation as seen from the PTO (looking to the front of the vehicle).

Note: All oil supply fittings come in kit form. Includes clamps, bolts, and O-ring.

PTO Programming

PTO Types

ESC (Engine Speed Control): This is a function to maintain engine speed regardless of engine load. Think of it as cruise control for the engine -only instead of maintaining a steady vehicle speed, it is maintaining engine speed. It is most often used to provide steady engine speed when operating auxiliary equipment such as hydraulic pumps or compressors

There are two types of PTO engine speed control used in MACK Trucks, Inc.

“Electronic Hand Throttle”(EHT/PTO 0): This type of engine speed control is standard equipment; it is initiated and controlled using the cruise control "ON/OFF", "RESUME/Accel", and "SET/Decel" switches. Manufacturers refer to this function by different names -Mack calls it "Electronic Hand Throttle" (EHT), In this manual we will refer to it as “EHT”, even though some of the parameters for programming this function will refer to it as "high idle" or PTO 0. (Note that in the North American market, the term "high idle" usually refers to the maximum possible engine speed under no-load conditions).

“Wired” PTO: This type PTO is most commonly associated with the engagement of engine or transmission “Wired” PTO driven accessories, where the user wishes to “remotely” activate the engine speed control function. It is usually accomplished by wiring the auxiliary equipment to the PTO function controller (VECU) so that engaging the equipment will automatically activate engine speed control (ESC).

PTO Functions with MACK Trucks, Inc.

A "PTO" icon will appear in the instrument cluster only when 'Remote' ('Wired') PTO input is active. No icon will appear while in Electronic Hand Throttle (EHT).

Electronic Hand Throttle (EHT)

The VECU reads the cruise control switch states, and activates engine speed control (ESC) when conditions are met. These conditions are programmable in the VECU and might include a maximum vehicle speed, park brake set or not, etc. The engine 'set speed' is selected by either pressing the cruise control "SET" button and then “Accel” button, or by using the accelerator pedal to get the desired engine speed and pressing the cruise control "SET" buttons. Once the PTO function is active, the Accel or Decel buttons can be used to adjust the PTO engine speed (within limits). Preprogrammed set speed or single speed control is also an option.

Physical/Wired PTO

This type of PTO speed control works similarly to EHT, except that the function is activated by applying an external signal to a dedicated PTO input pin on the VECU. The set speed can be adjusted using the cruise control Accel or Decel buttons or preprogrammed. Generally either PTO 1 or PTO 2 are used.

Commonly, the auxiliary device (PTO pump, bypass solenoid, etc.) is wired so as to be activated by the same switch which initiates the engine speed control function. This means that the hardware will be engaged whenever the switch is on, even if the engine speed is not being controlled (the hardware does not know whether the engine is running or not). There also is no protection against an input switch that has been accidentally activated. Therefore the VECU has a sub-function. It is possible to prevent engagement of the auxiliary equipment until certain conditions are met (park brake set, engine speed within a certain range, etc). This output is primarily controlled through the PTO 1 input.

Note: For a mDRIVE transmission the VECU enables a transmission-mounted PTO through the VECU output function. Therefore, the VECU must receive the PTO 1 input switch signal. The VECU passes this on over the J1939 databus to the TECU, depending on optional conditions.

Note: The Allison Transmission also provides a controlled output.

PTO Programming

Electronic Hand Throttle(EHT)/High Idle/PTO 0

Worksheet 1, EHT

Step:	Action:	Set Parameter:	Allowable Range:	Default Value:	Next Step:
A	Under what Park brake conditions will the PTO 0/EHT be used:				
	Stationary Only (with Parking Brake set):	P1SXO = 1	0-1	0	B
	While moving, or do not want to require PB set:	P1SXO = 0	0-1	0	B
B	What affect should Service Brake have?				
	Service brake should have no effect on EHT:	P1SXO = 0	0-1	1	C
	Service brake should dropout control:	P1SXO = 1	0-1	1	C
C	What affect should Clutch Pedal have?				
	Pressing pedal will drop out control :	P1BT7 = 2 P1TP6 = 2	0-1-2	2	D
	Pressing Clutch has no effect:	P1BT7 = 0 P1TP6 = 0	0-1-2	2	D
D	What affect should drive position on automatics have?				
	Control only works in Neutral:	P1SZD = 1 P1SZE = 1	0-1-2-3	0	E
	Control works in Drive or Reverse also:	P1SZD = 0 P1SZE = 0	0-1-2-3	0	E
E	What affect should accelerator pedal have?				
	accelerator pedal can override set speed.	P1TQC = 0	0-1-2	0	F
	accelerator pedal will be ignored while control is active.	P1TQC = 1	0-1-2	0	F
F	Should the set speed be adjustable with buttons?				
	Yes, Accel/Decel can change set speed.	P1TQR = 2	0-1-2	1	G
	No, Pressing Set/decel causes jump to set speed. This is single speed control.	P1TQR = 0	0-1-2	1	H
G	When control is started (Set/decel pressed) what should happen?				
	Set speed will be current engine speed.	P1TQQ = 0	0-1	0	I
	Set speed will jump to programmed set speed. (P1VTF - But still adjustable with buttons.)	P1TQQ = 1	0-1	0	H
H	What set speed?	P1VTF	500 ~ 2500 RPM	600 RPM	I
I	What should be the maximum allowed engine speed when trimming EHT set speed?	P1VTR = desired max. adjustable speed	500 ~ 2500 RPM	2500 RPM	J
J	What should happen at the max engine speed?				
	Control stops at this speed. (drops to idle unless overridden by accelerator pedal)	P1SXP = 1 = yes, dropout	0-1	0	K

Step:	Action:	Set Parameter:	Allowable Range:	Default Value:	Next Step:
	This is the maximum speed regardless of buttons or accelerator pedal while EHT is active.	P1TQP = 1	0–1	0	K
	This is just the limit of set speed. (Note that the state of P1SXP also affects PTO 1 & 2)	P1SXP = 0 P1TQP = 0	0–1	0	K
K	At what road speed should EHT control drop-out? What is the highest road speed to be able to activate EHT?	P1VTK P1VT4	0 ~ 250 km/h (0—150 mph)	16 km/h (10 mph)	L
	Speed adjustments.				
	While Accel or Decel are held this is the rate of change.	P1TP8	0-250 RPM	50 RPM	DONE
L	While Accel or Decel are stabbed this is the step change in RPM	P1TQD	0-250 RPM	50 RPM	DONE
	Set speeds will be held to the nearest multiple of P1TQF. (P1SYE affects all engine speed control)	P1SYE = 1 P1TQF = RPM	0–1	P1SYE = 0 P1TQF = 50 RPM	DONE

Notes

VECU PTO SETUP

If equipment triggered engine speed control is desired, input should be wired to PTO 1 or 2 or, in limited situations, 3 or 4. The worksheet below shows how to set up further features.

Definitions:

Temporary Dropout: These are dropout conditions which disable engine speed control and allow engine speed to fall to idle. However when the condition is removed engine speed will ramp to previous set speed. Standard dropout conditions require reinitializing of control inputs (PTO on, Cruise on and/or set button pressed) to restart control.

Driveshaft PTO: This is a PTO where the PTO drive is after the transmission output shaft speed sensor, i.e., on a split shaft. The VECU can suppress road speed signals (thereby stopping odometer accumulation) while the vehicle is not actually moving if the PTO feedback is input to PTO 2.

Worksheet 2, Part 1 - PTO1 Engine Speed Control SETUP

Step:	Action:	Set Parameter:	Allowable Range:	Default Value:	Next Step:
Under what brake conditions will the PTO1 be used:					
A	Activation condition on brakes	P1TQX = 2 P1TQY = 2	0-1-2-3-4	2	B
	Service brake released (Ignore park brake)	P1TQX = 0 P1TQY = 0	0-1-2-3-4	2	B
	Park brake set (Ignore service brake)	P1TQX = 3 P1TQY = 3	0-1-2-3-4	2	B
What affect should Clutch Pedal have?					
B	Pressing pedal will drop out control	P1BT7 = 2 P1TQY = 2	0-1-2	0	C
	Pressing Clutch has no effect	P1BT7 = 0 P1TP6 = 0	0-1-2	2	C
What affect should drive position on automatics have?					
C	Control only works in Neutral.	P1SZD = 1 P1SZE = 1	0-1-2-3	0	D
	Control works in Drive or Reverse also.	P1SZD = 0 P1SZE = 0	0-1-2-3	0	D
What affect should accelerator pedal have?					
D	accelerator pedal can override set speed.	P1TQ4 = 0	0-1-2	0	E
	accelerator pedal will be ignored while control is active.	P1TQ4 = 1	0-1-2	0	E
What inputs activate PTO 1 control?					
E	Cruise control switch On, PTO 1 input High, press set button.	P1TQX = 0	0-1-2	0	F
	Cruise control switch On, PTO 1 input High	P1TQX = 2	0-1-2	0	F
	PTO 1 input High	P1TQX = 1	0-1-2	0	F
Should the set speed be adjustable with buttons?					
F	Yes, Accel/Decel can change set speed.	P1TQV = 2	0-1-2	1	G

Step:	Action:	Set Parameter:	Allowable Range:	Default Value:	Next Step:
	No, Pressing Set/Decel causes jump to set speed. This is single speed control.	P1TQV = 0	0–1–2	1	I
Speed adjustments.					
G	While Accel or Decel are held this is the rate of change.	P1BTS P1BTR	0-250 RPM	50 RPM	H
	While Accel or Decel are stabbed this is the step change in RPM	P1IZB P1IZH	0-250 RPM	50 RPM	H
	Set speeds will be held to the nearest multiple of P1TQF.	P1SYE = 1 P1TQ6 = RPM	0–1	P1SYE = 0 P1TQ6 = 50 rpm	H
When control is started what should happen?					
H	Set speed will be current engine speed	P1TQU = 0	0–1	0	J
	Set speed will jump to programmed set speed.	P1TQU = 1	0–1	0	I
I	What set speed?	P1VTG	500 ~ 2500 RPM	600 rpm	J
J	What should be the maximum allowed engine speed when trimming PTO 1 set speed?	P1UWV = desired max. adjustable speed	500 ~ 2500 RPM	2500 RPM	K
What should happen at the max engine speed?					
K	Control stops at this speed. (drops to idle unless overridden by accelerator pedal)	P1SXP = 1 = yes, dropout	0–1	0	L
	This is the maximum speed regardless of buttons or accelerator pedal while PTO 1 is active.	P1TQT = 1	0–1	0	L
	accelerator Pedal can override max engine speed.	P1TQT = 0	0–1	0	L
	This is the limit of set speed. (Note that the state of P1SXP also affects PTO 0 & 2).	P1SXP = 0	0–1	0	L
What should happen at maximum road speed?					
L	Control should dropout at this speed.	P1VTL P1VT5	0 ~ 250 km/h (0–150 mph)	12	M
	Engine power should be controlled to limit to this speed. This limit will be active regardless of engine speed control activation conditions while PTO 1 input is high.	P1TQ2 = 1 P1TQ2 = ROAD SPEED	0 ~ 250 km/h (0–150 mph)	0	M
Speed adjustments.					
M	While Accel or Decel are held this is the rate of change.	P1BTS P1BTR	0-250 RPM	50 RPM	N
	While Accel or Decel are stabbed this is the step change in RPM.	P1IZB P1IZH	0-250 RPM	50 RPM	N
	Set speeds will be held to the nearest multiple of P1TQ6. (P1SYE affects all engine speed control).	P1SYE = 1 P1TQ6	10–100 RPM	P1SYE = 0 P1TQ6 = 50 rpm	N

Step:	Action:	Set Parameter:	Allowable Range:	Default Value:	Next Step:
N	Optional Temporary Dropout conditions. Examples below – more available				
	Control dropped out while service brake pressed.	P1TQ0 = 4	0-1-2-3-4-5	2 (not used)	
	Control dropped out until service brake pressed.	P1TQ0 = 3	0-1-2-3-4-5	2 (not used)	
	Control dropped out while clutch pressed	P1SYE = 2	0-1	0 (not used)	
	Control dropped out until A17 high (PTO 4) Note: this pin may not be available for this function. Check the "DCL" connector.	P1TQ0 = 4	0-1-2-3-4-5-6-7-8	0 (not used)	
	Control dropped out while B21 high (PTO 3) Note: this pin may not be available for this function. Check the "DCL" connector.	P1TQ0 = 1	0-1-2-3-4-5-6-7-8	0 (not used)	

Notes

Worksheet 3, Part 1- PTO1 Output or mDRIVE SETUP

Note: If the truck is an mDRIVE the VECU defaults will be to pass the PTO 1 input switch to the TECU unconditionally, i.e, as if the switch were directly connected to the PTO drive enable. The worksheet allows conditions to be added.

Step:	Action:	Set Parameter:	Allowable Range:	Default Value:	Next Step:
Under what Park brake conditions will the PTO 1 be used:					
A	This is an mDRIVE and only needs to communicate to the TECU	P1SJV = 1 P1SJT = 0 P1SKO = 1	0-1	P1SJV = 1 P1SJT = 1 P1SKO = 3	B
	Yes, the equipment needs a wired signal. (Not available on mDRIVE)	P1SJV = 1 P1SJT = 1	0-1	1	B
	No.	P1SJV = 0	0-1	1	Skip this worksheet
Under what brake pedal conditions affect PTO 1 Output:					
B	Pressing brake pedal will drop out control	P1SXO = 1	0-1	1	C
	Pressing brake pedal has no effect	P1SXO = 0	0-1	1	C
Under what Park Brake conditions affect PTO 1 Output:					
C	Releasing Park Brake will drop out control	P1SQY = 1	0-1	0	D
	Releasing Park Brake has no effect	P1SQY = 0	0-1	0	D
Under what Clutch Pedal conditions affect PTO 1 Output:					
D	Pressing Clutch Pedal will drop out control	P1TTH = 1	0-2	0	E
	Pressing Clutch Pedal has no effect	P1TTH = 0	0-1-2	0	E
Under what Neutral conditions affect PTO 1 Output:					
E	Output will only be active in neutral	P1TTH = 1	0-2	0	F
	Transmission gear status has no effect.	P1TTH = 0	0-2	0	F
Is there a maximum engine speed for Output activation?					
F	Yes. Output will deactivate above [RPM] engine speed.	P1SQY = 1 P1TTH = RPM	P1SQY = 0-1 P1TTH = 500-3500 RPM	P1SQY = 0 P1TTH = 700 RPM	G
	No. Output will activate regardless of engine speed.	P1SQY = 0	0-1	0	G
Is there a maximum Vehicle Speed for Output activation?					
G	Yes. Output will deactivate above [MPH] vehicle speed.	P1SQY = 1 P1TTH = RPM	P1SQY = 0-1 P1TTH = 0-150 MPH	P1SQY = 0 P1TTH = 2 MPH	DONE
	No. Output will activate regardless of vehicle speed.	P1SQY = 0	0-1	0	DONE

Worksheet 4, Part 2 - PTO2 Engine Speed Control SETUP

PTO 2 setup is identical to PTO 1 except for the extra option of road speed suppression.

Step:	Action:	Set Parameter:	Allowable Range:	Default Value:	Next Step:
A	Under what brake conditions will the PTO2 be used:				
	Same as EHT/PTO 0	P1TRF = 2 P1TRG = 2	0-1-2-3-4	2	B
	Service brake released (Ignore park brake)	P1TRF = 0 P1TRG = 0	0-1-2-3-4	2	B
	Park brake set (Ignore service brake)	P1TRF = 3 P1TRG = 3	0-1-2-3-4	2	B
B	What affect should Clutch Pedal have?				
	Pressing pedal will drop out control	P1BT7 = 2 P1TRG = 2	0-1-2	0	C
	Pressing Clutch has no effect	P1BT7 = 0 P1TRG = 0	0-1-2	0	C
C	What affect should drive position on automatics have?				
	Control only works in Neutral.	P1SZD = 1 P1SZE = 1	0-1-2-3	0	D
	Control works in Drive or Reverse also.	P1SZD = 0 P1SZE = 0	0-1-2-3	0	D
D	What affect should accelerator pedal have?				
	accelerator pedal can override set speed.	P1TRL = 0	0-1-2	0	E
	accelerator pedal will be ignored while control is active.	P1TRL = 1	0-1-2	0	E
E	What inputs activate PTO 2 control?				
	Cruise control switch On, PTO 2 input High, press set button.	P1TRF = 0	0-1-2	0	F
	Cruise control switch On, PTO 2 input High	P1TRF = 2	0-1-2	0	F
	PTO 2 input High	P1TRF = 1	0-1-2	0	F
F	Should the set speed be adjustable with buttons?				
	Yes, accel/decel can change set speed.	P1TRE = 2	0-1-2	2	G
	No, Pressing Set/decel causes jump to set speed. This is single speed control.	P1TRE = 0	0-1-2	2	I
G	Speed adjustments.				
	While Accel or Decel are held this is the rate of change.	P1BTU P1BTT	0-250 RPM	50 RPM	H
	While Accel or Decel are stabbed this is the step change in RPM	P1UXA	0-250 RPM	50 RPM	H
	Set speeds will be held to the nearest multiple of P1TQF.	P1SYE = 1 P1TRN = RPM	0-1	P1SYE = 0 P1TRN = 50 RPM	H
H	When control is started what should happen?				

Step:	Action:	Set Parameter:	Allowable Range:	Default Value:	Next Step:
	Set speed will be current engine speed	P1TRD = 0	0–1	0	J
	Set speed will jump to programmed set speed.	P1TRD = 1	0–1	0	I
I	What set speed?	P1V5K	500 ~ 2500 RPM	600 RPM	J
J	What should be the maximum allowed engine speed when trimming PTO 2 set speed?	P1UW0 = desired max. adjustable speed	500 ~ 2500 RPM	2500 RPM	K
	What should happen at the max engine speed?				
K	Control stops at this speed. (drops to idle unless overridden by accelerator pedal)	P1SXP = 1 = yes, dropout	0–1	0	L
	This is the maximum speed regardless of buttons or accelerator pedal while PTO 2 is active.	P1TRC = 1	0–1	0	L
	This is the limit of set speed. (Note that the state of P1SXP also affects PTO 0 & 2).	P1SXP = 0 P1TRC = 0	0–1	0	L
	What should happen at maximum road speed?				
L	Control should dropout at this speed.	P1VT1 P1VT6	0 ~ 250 km/h (0–150 mph)	161 km/h (100 mph)	M
	Engine power should be controlled to limit to this speed. This limit will be active regardless of engine speed control activation conditions while PTO 2 input is high.	P1TRJ = 1 P1TRJ = ROADSPEED	0 ~ 250 km/h (0–150 mph)	161 km/h (100 mph)	M
M	Road speed should be disabled if ABS sees 0 road speed, park brake is on and PTO 2 input is high.	P1SXQ = 1	0–1	0	
	Optional Temporary Dropout conditions. Examples below – more available				
N	Control dropped out while service brake pressed.	P1TRH = 4	0–1–2–3–4–5	2 (not used)	
	Control dropped out until service brake pressed.	P1TRH = 3	0–1–2–3–4–5	2 (not used)	
	Control dropped out while clutch pressed.	P1TRH = 2	0–1–2	0 (not used)	
	Control dropped out until A17 high (PTO 4) Note: this pin may not be available for this function. Check the “DCL” connector.	P1TRH = 4	0–1–2–3–4–5–6–7–8	0 (not used)	
	Control dropped out while B21 high (PTO 3) Note: this pin may not be available for this function. Check the “DCL” connector.	P1TRH = 1	0–1–2–3–4–5–6–7–8	0 (not used)	

PTO2 Parameter Description

Parameter Code	Caption	Description
P1BTT	Engine Speed Control PTO 2 Ramp Down Rate	"Configure the ramp down rate when a new target engine speed shall be reached while PTO 2 is running. The resulting ramp down rate is the minimum of the general ramp down rate (configured by another configuration parameter) and any active PTO ramp down rate."
P1BTU	Engine Speed Control PTO 2 Ramp Up Rate	"Configure the ramp up rate when a new target engine speed shall be reached while PTO 2 is running. The resulting ramp up rate is the minimum of the general ramp up rate (configured by another configuration parameter) and any active PTO ramp up rate."
P1BUN	Engine Speed Control PTO 2 Maximum Torque Limit	"Configure the maximum possible engine torque with PTO 2 running. The resulting maximum possible engine torque is the minimum of all active PTO engine torque limitations and any active external chassis engine torque limitation. Setting the maximum value disables the limit."
P1BX1	Idle Shutdown Disable With Active PTO2 Condition Enable	"Defines whether the Idle shutdown function shall be disabled due to that PTO2 is active or not. FALSE = PTO2 status is not considered TRUE = Disable Idle shutdown function if PTO2 is active"
P1CVH	PTO2 Activation Condition, Maximum Vehicle Speed	"Sets the maximum vehicle speed when PTO2 can be activated. 255 = Condition disabled"
P1CWQ	Set PTO2 requests to edge or level triggered.	"Configures if PTO2 requests are edge or level triggered by the switch in cab and chassis. 0 = PTO2 request is level triggered 1 = PTO2 request is edge triggered"
P1G6A	PTO2 Deactivation, Maximum Vehicle Speed Threshold	Sets the vehicle speed above which PTO2 is deactivated.
P1TRC	PTO 2, Engine Speed Control, Engine Speed Limitation, Enable	Enables engine speed limitation when Power Take Off (PTO) 2 is active.
P1TRD	PTO 2, Engine Speed Control Activation, Automatic Request of Reference Engine Speed, Enable	"Enables the engine speed control function to automatically request the reference engine speed at activation (when Power Take Off (PTO) 2 is active). This is sometimes referred to as ""Jump to minimum engine speed"". The reference engine speed is set within parameter P1BTZ."
P1TRE	PTO 2, Engine Speed Adjustment, Switch Logic, Configuration	"Configures the logic for the engine speed adjustment switches (Set+ and Set-) when Power Take

		<p>Off (PTO) 2 and the engine speed control functionality is activated/active.</p> <p>0 = ""Set"" switches not used for engine speed control. 1 = ""Set"" switches independent of the engine speed control activation (enable) switch status. 2 = ""Set"" switches dependent on the engine speed control activation (enable) switch position (active state)."</p>
P1TRF	PTO 2, Engine Speed Control, Activation Conditions, Configuration	<p>"Configures the activation conditions for the engine speed control for Power Take Off (PTO) 2.</p> <p>Brakes: 0 = Brake pedal released 1 = Brake pedal pushed OR Park brake activated 2 = Condition not used 3 = Park brake activated 4 = Park brake deactivated</p> <p>Engine Speed Control Activation Switch: 0 = Condition not used 1 = Independent of engine speed control enable switch position 2 = Dependent on engine speed control enable Switch (ESC Enable switch has to be active)"</p>
P1TRG	PTO 2, Engine Speed Control, Deactivation Conditions, Configuration	<p>"Configures the deactivation conditions for the engine speed control for Power Take Off (PTO) 2.</p> <p>Brakes: 0 = Brake pedal released 1 = Brake pedal pushed OR Park brake activated 2 = Condition not used 3 = Park brake activated 4 = Park brake deactivated</p> <p>Clutch Pedal: 0 = Clutch pedal is not used as deactivation condition . 1 = Clutch Pedal released 2 = Clutch Pedal depressed</p> <p>Customer Defined Switch Condition (FGA): 0 = Condition not used 1 = CDS1 active 2 = CDS2 active 3 = CDS1 inactive 4 = CDS2 inactive 5 = CDS1 inactive AND CDS 2 inactive 6 = CDS1 active AND CDS2 inactive 7 = CDS1 inactive AND CDS2 active 8 = CDS1 active AND CDS2 active"</p>
P1TRH	PTO 2, Engine Speed Control, Temporary Deactivation Conditions, Configuration	<p>"Configures the temporary dropout conditions of current engine speed to reference engine speed for Power Take Off (PTO) 2.</p>

		<p>Brakes Temporary Dropout Condition: 0 = Service Brake depressed. 1 = Service Brake released AND Park brake released. 2 = Condition not used. 3 = Park brake released. 4 = Park brake activated. 5 = Service Brake released.</p> <p>Customer Defined Switch Temporary Dropout Condition: 0 = Condition not used 1 = CDS1 active 2 = CDS2 active 3 = CDS1 inactive 4 = CDS2 inactive 5 = CDS1 inactive AND CDS 2 inactive 6 = CDS1 active AND CDS2 inactive 7 = CDS1 inactive AND CDS2 active 8 = CDS1 active AND CDS2 active</p> <p>Clutch Temporary Dropout Condition: 0 = Condition not used 1 = Clutch released 2 = Clutch pushed"</p>
P1TRJ	PTO 2, Road Speed Limit, Configuration	Sets whether the Road Speed Limit (RSL) for Power Take Off (PTO) 2 is used and what road speed it is limited to.
P1TRL	PTO 2, Engine Speed Control, Accelerator Pedal Input Handling, Configuration	<p>"Sets whether and how the accelerator pedal input is used when the engine speed control function is active for Power Take Off (PTO) 2.</p> <p>0 = Accelerator pedal used. 1 = Accelerator pedal position set to zero. 2 = Accelerator pedal ignored."</p>
P1TRM	PTO 2, Engine Torque Request Signal Broadcast, Configuration	<p>"Configures the condition for broadcasting the engine torque request signal on to J1939 bus for Power Take Off (PTO) 2 in the TSC1 message.</p> <p>0 = Broadcast when PTO 2 is active 1 = Broadcast when PTO 2 and engine speed control are active"</p>
P1TRN	PTO 2, Rounding Off Engine Speed, Offset	Sets the offset engine speed that is used for Power Take Off (PTO) 2 to round off the current engine speed to the engine speed value calculated with this engine speed offset added.
P1TT1	PTO 2, Mounting Position, Configuration	<p>"Sets whether and where the Power Take Off 2 (PTO 2) is mounted.</p> <p>0 = None 1 = Transmission PTO, Mounting Position 1 2 = Transmission PTO, Mounting Position 2 3 = Engine PTO, Mounting Position 1 4 = Engine PTO, Mounting Position 2"</p>

P1TTM	PTO 2 Activation, Parking Brake Applied Condition, Enable	Enables the parking brake applied as an activation condition for Power Take Off 2 (PTO 2).
P1TTN	PTO 2 Activation, Minimum Engine Speed Condition, Enable	Enables minimum engine speed as an activation condition for Power Take Off 2 (PTO 2).
P1TTQ	PTO 2 Activation, Minimum Engine Speed	Defines the minimum engine speed above which the Power Take Off 2 can be activated. If the engine speed drops below this threshold when the PTO is active then PTO will be deactivated.
P1TTR	PTO 2 Activation, Maximum Engine Speed	Defines the maximum engine speed below which the Power Take Off 2 can be activated. If the engine speed increase above this threshold when the PTO is active then PTO will be deactivated.
P1TZA	PTO 2, Activation Conditions, Configuration	<p>"Configures the activation conditions for Power Take Off 2 (PTO 2).</p> <p>Brakes: 0 = No condition 1 = Brake pedal released 2 = Brake pedal depressed or parking brake activated 3 = Parking brake activated 4 = Parking brake deactivated</p> <p>Secured Neutral Condition: 0 = No supplementary condition 1 = Gearbox in neutral 2 = Gearbox not in neutral</p> <p>Gear in Neutral: Enables gear in neutral as an activation condition for Power Take Off (PTO) 2.</p> <p>Gear in Low Split: Enables gear in low split as an activation condition for Power Take Off (PTO) 2.</p> <p>Engine Speed: Enables engine speed as an activation condition for Power Take Off (PTO) 2.</p> <p>Engine Speed, Activation Threshold: Defines that engine speed must be below this threshold value for the activation of Power Take Off (PTO) 2.</p> <p>Vehicle Speed: Enables vehicle speed as an activation condition for Power Take Off (PTO) 2.</p> <p>Vehicle Speed, Activation Threshold: Defines that vehicle speed must be below this threshold value for the activation of Power Take Off"</p>
P1TZD	PTO 2, Minimum Engine Speed Requested at Activation	Specifies the engine speed requested when Power Take Off 2 (PTO 2) is activated. This is the

		minimum engine speed that is used as long as PTO 2 is active.
P1UW0	Engine Speed Control, PTO2, Minimum Target Engine Speed	<p>"Sets the minimum possible target engine speed with PTO2 active.</p> <p>The resulting minimum possible target engine speed is the maximum of all active PTO engine speed limitations.</p> <p>Setting the minimum value disables the limit."</p>
P1UWW	Engine Speed Control, PTO2, Maximum Target Engine Speed	<p>"Sets the maximum possible target engine speed with PTO2 active.</p> <p>The resulting maximum possible target engine speed is the minimum of all active PTO engine speed limitations and any active external chassis engine speed limitation.</p> <p>Setting the maximum value disables the limit."</p>
P1UXA	Engine Speed Control, PTO2, Engine Speed Step Size	<p>"Sets the engine speed step size when a short press is detected at the Increase/decrease button in cab or chassis while PTO 2 is active.</p> <p>The resulting step size is the minimum/maximum of the general step size (configured by another configuration parameter) and any active PTO step sizes."</p>
P1V5K	Engine Speed Control, PTO2, Engine Speed Selector Modes, Configuration	Configures the engine speed for each engine speed selector mode used in engine speed control when the PTO2 is active.
P1VT1	PTO2, Engine Speed Control, Activation Condition, Maximum Vehicle Speed Threshold	Sets the maximum vehicle speed below which the engine speed control for PTO2 will be activated.
P1VT6	PTO2, Engine Speed Control, Deactivation Condition, Minimum Vehicle Speed Threshold	Sets the minimum vehicle speed below which the engine speed control for PTO2 will be deactivated.
P1W32	PTO2 Activation, Brake Conditions, Configuration	<p>"Configures the brake conditions which are used in the activation of power takeoff 2 (PTO2).</p> <p>0 = Brakes condition is ignored</p> <p>1 = Service brake shall be released to authorize activation</p> <p>2 = Service Brake or Park brake shall be applied to authorize activation</p> <p>3 = Park brake shall be active to authorize activation</p> <p>4 = Park brake shall be released to authorize activation"</p>

Parameter Programming

General

Abbreviations

- ACC Adaptive Cruise Control
- BOC Back of Cab
- CAN Controller Area Network
- CDS Custom Defined Statement (replaced by DCL)
- DCL DataMax Control Language
- ECM Engine Control Module
- EHT Electronic Hand Throttle
- EMS Engine Management System
- ESC Engine Speed Control
- FMI Failure Mode Identification
- GMT Greenwich Mean Time
- MID Message Identifier (J1587 source)
- PGN Parameter Group Number (J1939 message ID)
- PID Parameter Identification (J1587)
- PTO Power Take-off
- PTT2 Premium Tech Tool 2
- SA Source Address (J1939 unit identifier)
- SID Subsystem Identification (J1587)
- SPN Suspect Parameter Number (J1939 parameter)
- SSC Single Speed Control
- TCM Transmission Control Module
- VDA Vehicle Data Administration (OEM database)
- VECU Vehicle Electronic Control Unit
- V-MAC Vehicle Management And Control (Mack brand electronics name)

Programming/Common Engine Speed Control Terms According to the VECU

Level	Description
AutoSet	If the PTO is switched on, PTO engine speed control will automatically and immediately start, causing engine RPMs to go to the target speed, but without pressing the dash speed control set button. Depending on programming the Cruise/engine speed control dash switch may or may not need to be on.
Cruise Control	At vehicle speeds above a programmable MPH, the ESC (electronic speed control) function becomes a cruise control in order to maintain vehicle speed, typically at highway speeds.
Drive-Shaft PTO	PTO power is diverted after the transmission output, often to a special driveshaft. The transmission output speed sensor reads normally (drives speedometer, odometer), but typically there is no actual vehicle speed.
Drop-Out	When the engine speed control is being used, the condition may stop or 'drop-out' due to a programmed activation conditions. For example, if using the PTO engine speed control and the brake pedal is touched, engine speed control may drop out and the engine reverts to idle, unless overridden with the accelerator pedal.
Temporary Drop-Out	Normally a drop-out requires the engine speed control set switch button to be 'resumed', or the PTO reactivated to resume normal engine speed control. A temporary dropout automatically resumes the engine speed control after the condition is removed. In the above example, if the brake pedal is released, and it is programmed as a temporary dropout, engine speed control will automatically resume.
Hand Throttle or Electric Hand Throttle or PTO 0	These terms are used interchangeably now that all engines are electronically controlled. Commonly it refers to using the engine speed control or Cruise Control buttons on the dash, with the vehicle stationary, to activate engine speed controls, without a PTO switch. Use of the EHT may sometimes be referred to as PTO 0 (as opposed to PTO1, PTO2, etc.).
Single Speed Control	The VECU programming of engine speed control drives the engine speed automatically to a preset value that is not otherwise adjustable with the speed control switches (but can be overridden with the throttle pedal).

VECU

Vehicle Electronic Control Unit or MID 144 according to PTT2 . In general, it reads driver inputs and passes them to the Engine.

Notes

Programming

PTT2 has an operation called Parameter Programming which allows changes to settings in most ECU's. Most settings of concern to the body builder will be in the VECU which is also referred to by its J1587 designation, MID 144. Most settings are level 4, meaning they are freely changeable by PTT2. In rare cases there may be reason to change OEM data as a level 2 parameter, in which case, an accessory kit would need to be applied or tech support would change parameters in the main-frame (VDA) and then a MID reprogramming would be required. MID reprogramming may also be necessary to bring in new features as this also updates the main software and datasets.

V-MAC AND PTT2 Programming Parameter Types:

Level	Level Type	Description
2	OEM Parameters	Parameters only available to Mack. Not available or changeable with PTT2 service tool.
3	Dealer Parameters	Changeable by PTT2 with an internet connection to the OEM database, VDA. There are only a limited number of Level 3 parameters, so that Mack can retain records of dealer or customer changes.
4	Customer Parameters	Customer programmable parameters are set by the dealer or customer with PTT2 and do not require an internet connection. VMAc contains hundreds of customer programmable parameters.

Note that PTT2 is actually a sub operation or tool in Premium Tech Tool.

Notes

Engine Speed Control

Engine speed control refers to electronic hand throttle and PTO speed controls. These are controlled by the VECU.

Introduction

There are actually five programmable speed controls in the VECU. Electronic hand throttle (PTO 0 or High Idle Control) is enabled by the cruise control buttons engine speed control (ESC) is not to be confused with cruise control. The controls are basically the same however engine speed control, of course, sets engine speed while cruise control sets a road speed which the engine attempts to maintain while the respective function is active.

The Mack VECU can be used to change engine speed based on several conditions. The “engagement” or “activation” of this engine speed control can be started based the following depending on parameter settings:

- PTO input
- PTO input while Cruise on/off input is on. (referred to as “Autoset”)
- PTO input while Cruise on/off input is on and set button is pressed

The following can set to disable this control. There are parameters for activation, deactivation and temporary dropouts for each. Temporary dropouts can allow engine speed control to start and stop based on the condition. Standard default setup is to allow engine speed control in the state the truck would normally be parked in. In general, conditions not met on speed control will cause engine speed to drop to idle i.e., drop-out or deactivate.

- Road speed too high (default low).
- Engine speed too high or too low (default allows idle to governed speed).
- Service brake pressed or not (default not pressed).
- Park brake set or not (default set).
- Clutch pressed or not pressed (default not pressed).
- Transmission not in neutral(default not used).
- Secondary inputs (default not used).

Engine speed control can be started with a set speed that is equal to current speed or a programmable speed. The speed can then either be adjustable from there or be fixed at the programmed speed by disabling the accelerator pedal and/or buttons.

PTO 1-4 designated controls are engaged by applying 12V to the respective PTO input and may also require the cruise buttons. The PTO 1 input is usually available as a factory installed dash switch but can also be activated by input to the DCL connector or the Bodylink III/Control Link II connectors. PTO 2 usually does not have a factory installed switch but is available in the DCL connector or the Bodylink III /Control Link II connectors. Inputs for PTO 3 and 4 are not always available and then only in the DCL connector and may need other settings to use since the inputs are also used for other options.

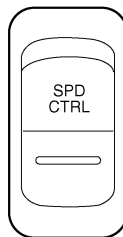
Starting Engine Speed Control

EHT or PTO 0 can only be started when the cruise control button is on and set- is pressed. After set is pressed, the engine may ramp to a preprogrammed speed or holding the Accel/resume button will ramp the speed up. If control is then “dropped out” by pressing the brake pedal or changing some other dropout condition, control can be restarted by pressing Accel/resume which will command the engine speed to the previous set speed.

PTO 1-4 have options on starting speed commands. These can be summarized as follows:

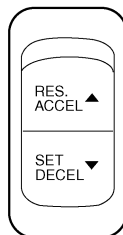
- Cruise set button starts control if PTO and cruise are switched on.
- PTO input starts control if cruise control is switched on.
- PTO input starts control (regardless of cruise inputs).

Note that limits and accelerator pedal disable apply regardless of the state of engine speed control. Rather, they start based on the PTO input state only.



C0029211

Fig. 8 ON/OFF Switch



C0029150

Fig. 9 Set and Accel/Decel Switch

Parameter name	Code	Description
Enable activation of engine speed control by engaging PTO 1	P1TQX	0 – Control started by Cruise buttons. 1 – Control started by PTO input. 2 – Control started by PTO input if Cruise switch is on.
Enable activation of engine speed control by engaging PTO 2	P1TRF	
Enable activation of engine speed control by engaging PTO 3	P1TRT	
Enable activation of engine speed control by engaging PTO 4	P1TSA	

Speed Command Start Behavior

Engine speed control can cause the speed to jump to a preprogrammed speed or require button controls for ramp or step commands. Control will jump to a preprogrammed speed if the buttons are disabled for adjustment or if specifically enabled by "jump to". If buttons can not otherwise adjust speed, this is generally referred to as "single speed control" and also implies disable of the accelerator pedal (shown later).

Note: A Jump to min doesn't actually cause a jump to the minimum set speed but rather to the "resume speed" (unless the resume speed is set below the minimum)

Parameter name	Code	Description
Resume or target engine speed for PTO 0	P1VTF	RPM for initial command of PTO engine speed control.
Engine speed control PTO1, resume engine speed (speed selector 0)	P1VTG	
Resume engine speed PTO 2	P1V5K	
Resume engine speed PTO 3	P1V5L	
Resume engine speed PTO 4	P1VTJ	
Enable cruise button for engine speed mode (PTO 0)	P1TQR	0 – Set +/- do not adjust speed. RPM will jump to "resume" speed. 1 – Set +/- adjust speed while PTO is on 2 – Set +/- adjust speed while PTO and Cruise is on.
Enable cruise button for engine speed of PTO 1	P1TQV	
Enable cruise button for engine speed of PTO 2	P1TRE	
Enable cruise button for engine speed of PTO 3	P1TRS	
Enable cruise button for engine speed of PTO 4	P1T7U	
Enable "jump to min engine speed" for PTO 0	P1TQQ	On – Control will jump to resume speed Off – Control depends on cruise settings above.
Enable "jump to min engine speed" for PTO 1	P1TQU	
Enable "jump to min engine speed" for PTO 2	P1TRD	
Enable "jump to min engine speed" for PTO 3	P1TRR	
Enable "jump to min engine speed" for PTO 4	P1TR6	

Accelerator Pedal Disable

The accelerator pedal can be set to be ignored while either PTO is active or if hand throttle is active. Two potentially important details are here.

Use of “2 – accelerator pedal ignored” is recommended because the engine will require the PTO to be deactivated and the pedal at 0 position before allowing accelerator pedal command. The “set to 0” will resume pedal control where ever it is. That could potentially have the engine ramp if the pedal were to have inadvertently been pressed.

If PTO 0 is set to disable throttle pedal, the throttle pedal will remain disabled until the cruise control switch is turned off or the resume function is disabled. The throttle pedal remains disabled while the PTO 0 is ready to resume. To disable this resume feature see parameter P1SXL.

Parameter name	Code	Description
Disable accelerator pedal for engine speed control PTO0	P1TQC	0 – no effect on accelerator pedal 1 – accelerator pedal set to 0 (not recommended) 2 – accelerator pedal ignored. While respective engine speed control is active or in “resume ready” state.
Disable accelerator pedal for engine speed control PTO1	P1TQ4	
Disable accelerator pedal for engine speed control PTO2	P1TRL	
Disable accelerator pedal for PTO 3	P1TRZ	
Disable accelerator pedal for PTO 4	P1TSH	

Ramp

If engine speed control is started and the buttons are enabled to adjust speed, the rate of increase while the button is held is controlled by the ramp rate parameters. Note that the VECU has a new feature to set the ramp rate to a set speed.

Parameter name	Code	Description
Engine speed control trim ramp up	P1TP8	While resume/Accel is pressed engine speed will ramp up at this rate (rpm/s).
Ramp up value at increased engine speed for PTO 1	P1BTS	
Trim factor at engine speed trim ramp up for PTO 2	P1BTU	
Trim factor at engine speed trim ramp up for PTO 3	P1BTW	
Trim factor at engine speed trim ramp up for PTO 4	P1BTY	
Engine speed control trim ramp down	P1TP8	While Set/decel is pressed engine speed will decrease at this rate.
Ramp down value at decreased engine speed for PTO 1	P1BTR	
Trim factor at engine speed trim ramp down for PTO 2	P1BTT	
Trim factor at engine speed trim ramp down for PTO 3	P1BTV	
Trim factor at decreased set engine speed for PTO 4	P1TSE	

Step or Bump Adjustments

Short presses on the control buttons will cause step increases in set speed to be commanded. The step (or bump) is controlled by parameters below.

Parameter name	Code	Description
Engine speed control step up rpm (PTO0)	P1TQD	If the resume/Accel button is pressed briefly and released engine set speed will increase by this RPM.
Engine speed step up factor for PTO 1	P1IZB	
Engine speed step up factor for PTO 2	P1UXA	
Engine speed step up factor for PTO 3	P1IZD	
Engine speed step up factor for PTO 4	P1IZE	
Engine speed control step down factor (PTO0)	P1TQD	If the set/Decel button is pressed briefly engine set speed will decrease by this much.
Engine speed step down factor for PTO1	P1IZH	
Engine speed step down factor for PTO 2	P1UXA	
Engine speed step down factor for PTO 3	P1IZJ	
Engine speed step down factor for PTO 4	P1IZK	
Time before PTO activation is seen as a ramp	P1BUQ	This is the time that determines whether a press is a ramp or a step. Default is 250 ms.

Hold to Nearest (Set Speed Rounding)

The engine set speed will be whatever the engine speed is when the button is released after holding for a ramp. To prevent need to be precise about button release timing to achieve a round set speed "hold to nearest" can be used. For example, if set to 100 rpm the set speed after a ramp will be 1200, 1300, etc. by 100s rather than 1231, 1319, or any in-between value.

Parameter name	Code	Description
"Hold to nearest" step value for PTO 0	P1TQF	Engine speed command will be rounded to this RPM.
"Hold to nearest" step value for PTO 1	P1TQ6	
"Hold to nearest" step value for PTO 2	P1TRN	
"Hold to nearest" step value for PTO 3	P1TR1	
"Hold to nearest" step value for PTO 4	P1TSJ	

Control Conditions

There are several possible conditions that will cancel/dropout or prevent engine ramping (ESC, engine speed control). The standard setup is to only allow engine speed control while stationary.

- Service Brakes
- Park Brake
- Road speed
- Engine speed
- Transmission state
- Clutch
- Other switch

Many of these can be set as temporary dropout. Standard dropout indicates that if the condition is not met, that engine will return to idle and PTO or cruise set will have to be reset or toggled to restart engine speed commands. Temporary dropout refers to that the engine ramp will occur as soon as the condition is cleared without any other action necessary.

Basic Brake conditions

For single control strategies these two parameters should be all that is necessary. If a PTO set speed is to be used while the truck is in motion, then P1SXO (park brake condition) should be disabled. However this will affect any other PTO including hand throttle/PTO 0. If one PTO is to be set up differently from another, the next sections parameters should be used to individually override these parameters.

Parameter name	Code	Description
Enable brake pedal condition for high idle	P1SXO	Yes – Brake pedal application will prevent or dropout engine speed control for any PTO 0-4 No - Brake pedal does not affect engine speed control for any PTO
Enable parking brake condition for high idle	P1SXO	Yes – Park brake must be applied to allow engine speed control for any PTO 0-4 No - Park brake does not affect engine speed control for any PTO 0-4

Notes

PTO Specific Brake conditions

If only a single control is needed, see the previous section. If a more complicated setup is needed, the following parameters can be used to make one PTO control depend on a certain brake state while the other does not. The parameters are available separately for engine speed control enable and engine speed control disable. The enumerations are set up so that enable and disable conditions are opposite as would normally be the case (release brake pedal to start, press to stop). However, these can theoretically be set up so that start and stop conditions are not necessarily opposite. Use some care in choosing these as many combinations have no practical use.

The enumerations represent conditions enabled either to start (activate) engine speed control or to deactivate engine speed control for respective PTO inputs. These are by default set to “not used” so that the logic falls through to the primary brake conditions in the previous section.

Parameter name	Code	Description
Engine speed control PTO0, activation cond. on brakes	P1TP5	Brake conditions to start respective PTO engine speed control: 0: Brake pedal released 1: Brake pedal pushed OR Park brake activated 2: condition not used 3: Park brake activated 4: Park brake deactivated
Engine speed control PTO1, activation condition on brakes	P1VT5	
Enable brake pedal cond for PTO 2 activation	P1TRF	
Enable brake pedal cond for PTO 3 activation	P1TRT	
Enable brake pedal cond for PTO 4 activation	P1TSA	
Enable brake pedal cond for PTO 0 deactivation	P1TP6	Brake state to dropout engine speed control for respective PTO 0 Brake pedal depressed 1 Brake pedal released or parking brake deactivated 2 No condition on the brakes 3 Parking brake deactivated 4 Parking brake activated
Enable brake pedal cond for PTO 1 deactivation	P1TQX	
Enable brake pedal cond for PTO 2 deactivation	P1TRG	
Enable brake pedal cond for PTO 3 deactivation	P1TRU	
Enable brake pedal cond for PTO 4 deactivation	P1TSB	

Notes

Transmission State Conditions

Factory setups normally assume speed control is used only while the clutch pedal is released or the transmission is in neutral. Mack does not offer neutral input from manual transmissions, so neutral condition is only useful for electronically controlled transmissions. Clutch state can be derived from neutral status on automatic transmissions so, are not necessarily ineffective on transmissions without clutch pedals.

Each PTO has separate enable and disable conditions that would normally be set to opposite values. For Example, if the engine speed should only increase while in neutral then neutral is an enable condition and “out of neutral” is a disable condition. One could theoretically set up a control that requires clutch-pressed to start however, clutch-released does not drop it out (or stop it).

The term “secured neutral” implies that both the selected gear and current gear are neutral rather than just one or the other. This may be important if PTO forces neutral and is expected to ramp the engine. In that case “secured neutral” would be too strict a condition and “Gearbox in neutral” might be adequate or not use the condition at all.

Parameter name	Code	Description
Enable secured neutral cond for PTO 0 activation	P1SZD	Neutral condition for starting respective PTO engine speed control 0 No condition on gearbox in neutral 1 Yes (Secured Neutral Enables engine speed control) 2 No (must be out of Secured Neutral to enable engine speed control) 3 Gearbox in neutral - (Current gear must be neutral for engine speed control)
Enable secured neutral cond for PTO 1 activation	P1SZD	
PTO2 activation neutral condition	P1SZE	
PTO3 activation neutral condition	P1SZD	
PTO4 activation neutral condition	P1SZD	
Enable secured neutral cond for PTO0 deactivation	P1SZE	Dropout neutral condition for respective PTO engine speed control 0 No condition on gearbox in neutral 1 No (out of Secured neutral drops out engine speed control) 2 Yes (Secured neutral drops out engine speed control) 3 Gearbox in neutral (Current gear in neutral drops out control)
Enable secured neutral cond for PTO1 deactivation	P1SZE	
PTO2 deactivation neutral cCondition	P1SZD	
PTO3 deactivation neutral condition	P1SZE	
PTO4 deactivation neutral condition	P1SZE	
Engine speed control PTO0, activation condition on clutch	P1BT7	Clutch condition for starting respective PTO engine speed control 0 No condition 1 Pedal depressed (to activate engine speed control) 2 Pedal released (to activate engine speed control)
Engine speed control PTO1, activation condition on clutch	P1BT7	
Enable clutch cond for PTO 2 activation	P1BT7	
Enable clutch cond for PTO 3 activation	P1BT7	
Enable clutch cond for PTO 4 activation	P1BT7	
Clutch cond for High Idle/PTO0 deactivation	P1TP6	Clutch dropout condition for respective PTO 0 No condition 1 Pedal released (to deactivate engine speed control) 2 Pedal depressed (to deactivate engine speed control)
Engine speed control PTO1, deactivation condition on clutch	P1TQY	
Enable clutch cond for PTO 2 deactivation	P1TRG	
Enable clutch cond for PTO 3 deactivation	P1TRU	
Enable clutch cond for PTO 4 deactivation	P1TSB	

Engine Speed Conditions

There are engine speed minimums and maximums for engaging and remaining in speed control. In theory these provide some safety in case of certain malfunctions in that the engine will return to idle or defuel if engine speed falls out of range. However, many applications have no use for a minimum dropout speed and would be better served by a limit rather than a dropout condition.

Note: Note that having minimum dropout engine speed above idle results in that engine speed control will not engage unless the engine rpm is brought above that speed by the accelerator pedal before the set button is pressed. This may serve to prevent engine speed control from starting inadvertently.

These speed limits can be disabled as conditions by parameter P1SXP in which case these speeds are min and max set speeds. Still setting the min speed above idle may not have the desired affect without using "jump to min".

The maximum speeds are also dropouts according to P1SXP but can also be enabled as limits by the parameters in the next section. Note that the accelerator pedal can override engine speed command and max set speed. If this is not desirable for the application, accelerator pedal disable or limit may serve better.

Parameter name	Code	Description
Engine speed control activation on Min-Max Engine Speed	P1SXP	For all PTO 0-4 0 Off – Engine speeds are not conditions for speed control 1 On – Max and Min speeds are dropout conditions
High idle/PTO 0 min engine speed	P1VTP	Engine speed control will not start or if started will dropout respective PTO engine speed control if engine speed is below this RPM unless P1SXP is disabled.
Engine speed control PTO1, Min engine speed	P1UW4	
Min engine speed for PTO 2	P1UW0	
Min engine speed for PTO 3	P1UW1	
Min engine speed for PTO 4	P1UW3	
Maximum engine speed for the engine speed control PTO0	P1VTR	Engine speed control will not start or if started will dropout respective PTO engine speed control if engine speed is above this RPM unless P1SXP is disabled. If the respective limit enable is set on, this is the value of the limit.
Engine speed control PTO1, Max engine speed	P1UWV	
Max engine speed for PTO 2	P1UWW	
Max engine speed for PTO 3	P1UWY	
Max engine speed for PTO 4	P1UWZ	

Notes

Engine Speed Limits

If the equipment attached to the PTO should not exceed some rpm, a limit can be used. This limit will apply based on the respective PTO input regardless of any other conditions for engine speed commands for set speed. PTO 0 is an exception since there is no specific input.

Note: The engine decreases fueling at this limit, so power may fluctuate. Some applications may do better with a single speed control or a set speed limit rather than run at a limit. There is also an EMS parameter to limit engine speed while stationary.

Parameter name	Code	Description
Enable engine speed limit when PTO active (PTO0)	P1TQP	Engine will be limited to parameter AND while PTO 0 is active.
PTO1 engine speed limit activation	P1TQT	Engine speed will be limited to the respective Max engine speed parameter while respective PTO input has voltage.
PTO2 engine speed limit activation	P1TRC	
PTO3 engine speed limit activation	P1TRQ	
PTO4 engine speed limit activation	P1TR5	
Parameter name		Description
Max engine speed stationary		Engine speed is limited to this while road speed is 0

Road Speed Dropout

If the engine speed control should only control engine speed while parked, it can be beneficial to include a dropout condition based on road speed. If this is not desired, it cannot be turned off but rather set out of the way. These are set up in pairs so that theoretically the engagement speed requirement can be lower than the dropout conditions. Normally the two should be set the same value.

Note: There have been cases where vibrations or shocks cause momentary high speeds to be registered that would cause an inadvertent dropout. Later versions of the VECU have filters to minimize or eliminate this.

Parameter name	Code	Description
Max VS to activate PTO0 engine speed control	P1VTK	Engine speed control will not start while road speed is above this value.
Engine speed control PTO1, activation condition, max VS	P1VTL	
Max vspd for activation of PTO 2	P1VT1	
Max vspd for activation of PTO 3	P1VT2	
Max vspd for activation of PTO 4	P1VT3	
Min vspd for deactivation of PTO0	P1VT4	Engine speed control will dropout if road speed is above this value
Min vspd for deactivation of PTO1	P1VT5	
Min vspd for deactivation of PTO 2	P1VT6	
Min vspd for deactivation of PTO 3	P1VT7	
Min vspd for deactivation of PTO 4	P1VT8	

Road Speed Limits

If the equipment attached to the truck should not be operated above some speed, a road speed limit can be used. Each road speed limit has an enable parameter and a parameter to set the speed for the limit. These limits apply according to the PTO 1 or 2 input regardless of engine speed control conditions.

This need not be actually a PTO, it can also be used to limit speed for dropped axles or anything that can be indicated by a switched input. However, on most trucks this will light a PTO lamp and carry with it the effects of PTO operation on the engine regarding the exhaust after treatment system. PTO independent road speed limits are also possible but not generally offered.

Parameter name	Code	Description
PTO1 road speed limit activation	P1TQ2	0 – no road speed limit for PTO 1 1 – use EAQ/P1TQ2 as road speed limit while PTO 1 input has 12V
Road speed limit value for PTO1	P1TQ2	Speed limit for PTO 1 if FRO/P1TQ2 = 1
PTO2 road speed limit activation	P1TRJ	0 – no road speed limit for PTO 2 1 – use EAQ/P1TQ2 as road speed limit while PTO 1 input has 12V
Road speed limit value for PTO2	P1TRJ	Speed limit for PTO 2 if FRO/P1TQ2 = 1

Torque Limits

A torque limit can be used if the equipment operated by PTO should only receive limited torque. This can also be used for any other purpose triggered by 12V on a PTO input. This limit applies regardless of engine speed control conditions.

Parameter name	Code	Description
Enable torque limitation for PTO 0	P1TQA	0 = no torque limit for respective PTO input 1 = use respective limit for PTO while input is active.
Enable torque limitation for PTO 1	P1TQ3	
Enable torque limitation for PTO 2	P1TRK	
Enable torque limitation for PTO 3	P1TRY	
Enable torque limitation for PTO 4	P1TSG	
Max torque for PTO0	P1TQE	Torque limit in % for respective PTO if enabled.
Max torque for PTO1	P1BUM	
Max torque for PTO2	P1BUN	
Max torque for PTO3	P1BUO	
Max torque for PTO4	P1BUP	

Temporary Conditions

The above conditions, if not met, require either the PTO input to be toggled or the cruise set or resume buttons to be pressed to restart engine speed control. The below conditions will only dropout engine speed control while the condition exists. For example the control could have a clutch temporary dropout which would cause engine speed control to drop out while the clutch was pressed, and automatically resume while the clutch was again released. Another application is to have the temporary dropout condition as a secondary enable. For example, the PTO engine speed control could be made ready to engage in the Cab and have a separate control to enable a ramp to set speed only while the button is held. The "CDS" pins can serve this function if not used for other purposes. Note that there are parameters to designate PTO 3 and 4 Pins as "CDS" rather than PTO 3 or 4.

Parameter name	Code	Description
Enable clutch cond for PTO 0 temp dropout	P1TP7	0 Not used - no condition on clutch 1 Off - dropout while clutch released 2 On - dropout while clutch pressed
Enable clutch cond for PTO 1 temp dropout	P1TQ0	
Enable clutch cond for PTO 2 temp dropout	P1TRH	
Enable clutch cond for PTO 3 temp dropout	P1TRV	
Enable clutch cond for PTO 4 temp dropout	P1TSD	
Enable CDS cond for PTO 0 temp dropout	P1TP7	Will dropout while: 0 Brake pedal activated 1 Brake pedal released AND Park brake released 2 Condition not used 3 Park brake released 4 Park brake activated 5 Brake pedal released
Enable brake cond for PTO 1 temp dropout	P1TQ0	
Enable brake cond for PTO 2 temp dropout	P1TRH	
Enable brake cond for PTO 3 temp dropout	P1TRV	
Enable brake cond for PTO 4 temp dropout	P1TSD	
Enable CDS cond for PTO 0 temp dropout	P1TP7	Will dropout while: 0 Condition not used 1 CDS1 active 2 CDS2 active 3 CDS1 inactive 4 CDS2 inactive 5 CDS1 inactive AND CDS 2 inactive 6 CDS1 active AND CDS2 inactive 7 CDS1 inactive AND CDS2 active 8 CDS1 active AND 2 active
Enable CDS cond for PTO 1 temp dropout	P1TQ0	
Enable CDS cond for PTO 2 temp dropout	P1TRH	
Enable CDS cond for PTO 3 temp dropout	P1TRV	
Enable CDS cond for PTO 4 temp dropout	P1TSD	

PTO 3 and 4 or “CDS”

The PTO 3 and 4 inputs can also be CDS inputs to use as temporary dropout conditions rather than 3'rd and 4th PTOs.

Parameter name	Code	Description
Enable PTO 3 enable switch	P1SKR	0 Off - input is CDS1 1 On - input is PTO 3
Enable PTO 4 enable switch	P1SKS	0 Off - input is CDS2 1 On - input is PTO 4

Resume Enable

After an engine speed control has been active and then inactive, it can be resumed by pressing the resume/Accel button. This has side effects that while in this resume ready state, speed limits and accelerator pedal disable remains. Cruise control will also not work if PTO 0 has been dropped out rather than turned off. If these side effects are not desirable, resume for engine speed control can be disabled. This disable affects engine speed control but not cruise control.

Parameter name	Code	Description
Engine speed control resume enable	P1SXL	0 Off - dropout conditions cancel engine speed control and cannot resume but rather needs reset. 1 On - resume functions

PTO Priority

If two PTO inputs are active at the same time the one that has priority will assert the conditions and limits over the other. Note that this does not necessarily mean that the set speed will change. If two PTO inputs are to be active with one or the other switching to change speed automatically, then an OEM parameter may need to be set to make that work.

Parameter name	Code	Description
PTO priority	P1WHS	0: 1/2/3/4 1: 1/3/2/4 2: 2/1/3/4 3: 2/3/1/4

Notes

Controls

PTO Output

The VECU can control an output which can conditionally control a PTO or other item such as lights. mDRIVE transmissions with transmission PTO's are set up to do this from the factory whereby the VECU output is actually transmitted by databus to the transmission.

The output would then depend on the PTO 1 input being active and whatever conditions are set below. By default there are no conditions set in the VECU so that PTO activation depends only on the switch input. For an mDRIVE transmission with dual PTO, there are no conditions possible to limit PTO 2 engagement from the VECU. However the mDRIVE will refuse to engage PTO's based on gear position and road speed.

Parameter name	Code	Description
PTO basic function enable	P1SJV	0 – don't use output function 1 – enable output function
Activate PTO output from vehicle control unit	P1SJT	0 – don't use PTO output pin 1 – Use PTO output pin
Type of PTO	P1SKO	This parameter is of use with the BBM unit which is currently not available for Mack trucks. However, it needs to remain at 1 for mDRIVE transmissions. 0 None 1 Transm. #1 2 Transm. #2 3 Engine #1 4 Engine #2
Enable brake condition for PTO	P1TTH	0 – no condition on 1 – pressing brake pedal will disable output
Parking brake condition to activate PTO1	P1SQY	0 – no condition on parking brake 1 – Parking brake must be applied for PTO output
Enable clutch condition for PTO	P1TTH	0 – no condition on clutch pedal 1 – pressing clutch pedal will disable output
Gear in neutral condition to activate PTO1	P1TTH	0 – transmission gear has no effect 1 – Output will only be active in neutral
Enable max engine speed condition to activate PTO1	P1SQY	0 – output will be active regardless of engine speed 1 – output will be active below engine speed (P1TTH)
Max engine speed to activate PTO1	P1TTH	RPM limit for PTO output
Enable max VS condition to activate PTO1	P1SQY	0 – output will be active regardless of road speed 1 – output will be active below road speed (P1TTH)
Max VS to activate PTO1	P1TTH	Road Speed limit for PTO output

Driveshaft PTO

PTO 2 can be designated a driveshaft PTO. The purpose of the VECU parameter designating this is to disable the road speed pickup so that the speedometer and thereby the odometer are suppressed. However, this only works if the park brake is applied and the ABS does not pick up road speed. If the vehicle does need to move while in driveshaft PTO, it is recommended to move the road speed sensor to a shaft driving road speed.

Also of concern is that there is normally an engine torque limit at low road speed to protect the driveline at takeoff in low gear. If full power is expected while stationary this torque limit needs to be disabled. Note that this parameter (P1JED) is in the EMS and that this parameter has a different code beginning with 2013 production.

Parameter name	Code	Description
Enable drive shaft PTO on PTO2	P1SXQ	0 – no driveshaft speed handling 1 – Road speed can be suppressed while PTO 2 is active
PTO is DRIVE SHAFT PTO	EMS Parameter Code: P1JED	0 – no PTO exception for torque limit 1 – Low gear torque limit is disabled if PTO is on (any PTO)

mDRIVE PTO ratio

The mDRIVE Transmission PTOs have selectable output ratio.

Parameter name	Code	Description
Split gear for Transmission PTO 1	P1AO5	0 Selectable 1 Low Split 2 High Split
Split gear for Transmission PTO 2	P1AO6	0 Selectable 1 Low Split 2 High Split

Fan Engage with PTO

The fan will engage with a digital input to any of the 4 PTO inputs if enabled. This is not recommended if the PTO is used with frequent on-off cycles.

Parameter name	Code	Description
Enable cooling fan activation from PTO	P1SMW	0 = Off 1 = On

Remote Engine Stop

Note: See section 3 for programming and wiring instructions.

Parameter name	Code	Description
Enables the function remote engine stop	P1SLD	Set to 2 Enables remote engine stop function by VECU Input.
Engine stop demand filter time	P1SL5	The time the button must be held to shut off engine. Note: Set to 0
Remote stop activation condition	P1SL4	Vehicle speed is a condition for engine shutdown Note: Set to 0
Max VS to activate remote engine stop	P1EK5	Road speed above which remote engine shutdown will not work. [1] = 1, [2] = 1, [3] = 60 mph

PTO Indicator

Instrument clusters have a PTO indication. This PTO indication is normally driven based on the PTO inputs to the VECU, ECM or TCM.

Note: This parameter is OEM only and is not visible in Premium Tech Tool (PTT). This can only be changed by tech support.

Parameter name	Code	Description
Sets the PTO lamp source (on some instrument clusters)	IEC	0 Off 1 Undefined 2 Undefined 3 Use EEC1 (PTO Lamp with Engine Speed Control) 4 Use VP2 (PTO Lamp with VECU PTO inputs)

Examples

Following are practical examples to be copied or as reference to build other applications. These examples may depend on other settings being set as standard from the factory. Standard settings for all parameters are listed in the last section.

Trash Packer – PTO Single Speed Control

Customer Request:

When the Packer is started the RPM should ramp to 1200 rpm. The truck will be parked. Buttons or acc pedal cannot change speed.

Wiring:

12 V to PTO 2 input when Packer is to start. Note that this can also be done on PTO 1 but with different parameter codes.

Settings:

PTO 1	PTO 2	Enable cruise button for engine speed of PTO	0=Off
VECU = P1TQV	VECU = P1TRE		
This disables the set+/decel- buttons which allows the "default resume speed" to be the set speed.			
PTO 1	PTO 2	Enable activation of engine speed control by engaging PTO	1=On
VECU = P1TQX	VECU = P1TRF		
This allows the PTO 2 input to start engine speed control without using the Cruise buttons.			
PTO 1	PTO 2	Resume engine speed PTO	1200 rpm
VECU = P1VTG	VECU = P1V5K		
This is the speed that the rpm will jump to.			
PTO 1	PTO 2	Disable accelerator pedal for engine speed control PTO	2= accelerator pedal ignored
VECU = P1TQ4	VECU = P1TRL		
This disables the accelerator pedal.			

Trash Packer – PTO with Secondary Enable

Customer Request:

When the packer is engaged the rpm should stay at idle regardless of standard inputs. RPM should ramp to 1200 rpm when a second switch is engaged and only if the Cruise control button is “ON”.

Wiring:

12 V to PTO 2 input when Packer is to start. Note that this can also be done on PTO 1 but with different parameter codes.

Settings:

PTO 1	PTO 2	Enable cruise button for engine speed of PTO	0=Off
VECU = P1TQV	VECU = P1TRE		
This disables the set+/decel- buttons which allows the “default resume speed” to be the set speed.			
PTO 1	PTO 2	Enable activation of engine speed control by engaging PTO	2= On if CC Enable active
VECU = P1TQX	VECU = P1TRF		
This allows the PTO 2 input to start engine speed control but only while the Cruise Control ON/Off button is On.			
PTO 1	PTO 2	Resume engine speed PTO	1200 rpm
VECU = P1VTG	VECU = P1V5K		
This is the speed that the rpm will jump to.			
PTO 1	PTO 2	Disable accelerator pedal for engine speed control PTO	2= accelerator pedal ignored
VECU = P1TQ4	VECU = P1TRL		
This disables the accelerator pedal.			
PTO 1	PTO 2	Enable CDS cond for PTO temp dropout	3= CDS1 inactive
VECU = P1TQ0	VECU = P1TRH		
This keeps engine speed control for PTO 2 temporarily dropped out until CDS1 (VECU pin B21) is active.			

Hand Throttle PTO 0 as Low Speed “Cruise Control”

Customer Request:

Need to be able to set cruise control below 10 mph.

Note: Cruise control can't set a target road speed as low as 10 mph. However, “hand throttle”(PTO 0) can set a target engine speed thereby holding a road speed while in a fixed gear. Standard PTO 0 road speed dropout is 10 mph. PTO 0 will still work parked as well. However, setting the Park brake will not drop out control.

Wiring:

No extra inputs.

Settings:

VECU – P1SX0	Enable parking brake cond for high idle	0=Off
This allows PTO 0 to work without having the park brake set.		

Notes

Concrete Pumper - Driveshaft PTO with Limits

Customer Request:

When in Driveshaft PTO, the speedometer and Odometer should not increase. Engine limited to 1800 rpm but settable with buttons and controllable with acc pedal. RPM should jump to 800 when set button is pressed.

Wiring:

12 V to PTO input when PTO is engaged.

Note: The speed suppression only works on PTO 2.

Settings:

PTO 1	PTO 2	Engine speed control activation on Min-Max engine speed	0=Off
VECU – P1SXP	VECU – P1SXP		

This keeps engine speed control from “dropping out” when the maximum speed FDK is reached.

PTO 1	PTO 2	Enable "Jump to min engine speed" for PTO	1= On
VECU – P1TQU	VECU – P1TRD		

This allows the engine speed to “jump” to the “resume speed” FCU/P1V5K when engine speed control is activated.

PTO 1	PTO 2	Enable drive shaft PTO on PTO 2	1= On
<i>Not Applicable</i>	VECU – P1SXQ		

This sets vehicle speed broadcast to 0 which stops odometer increase while Park brake is set, ABS road speed is 0 and PTO 2 input is active. This is only available for PTO 2.

PTO 1	PTO 2	Resume engine speed PTO	800 rpm
VECU – P1VTG	VECU – P1V5K		

This is the speed that the rpm will jump to when the set button is pressed.

PTO 1	PTO 2	Max engine speed for PTO	1800 rpm
VECU – P1UWV	VECU – P1UWW		

Speed will be limited to this while PTO is active.

Line Painter – PTO Road Speed Limit

Customer Request:

When the paint is started the road speed should be limited to 8 mph. Cruise buttons should work to set speed.

Wiring:

12 V to PTO input when paint is started.

Settings:

PTO 1	PTO 2	Road speed limit value for PTO	8 mph
VECU – P1TQ2	VECU – P1TRJ		

VECU:-

This is the road speed limit. Note that for software for VECU also has the same effect as parameters P1VT1 and P1VT6 in that control will drop out when the speed is reached. P1VT1 and P1VT6 are otherwise normally out of the way at 10 mph. For VECU P1TRJ will not affect drop out of speed control.

PTO 1	PTO 2	PTO road speed limit activation	1= On
VECU – P1TQ2	VECU – P1TRJ		

This makes the PTO road speed limit active.

PTO 1	PTO 2	Enable parking brake cond for High Idle	0= Off
VECU – P1SXO	VECU – P1SXO		

This allows control regardless of park brake condition. Note this also affects hand throttle and other PTO controls.

Notes

Line Painter – PTO Set Road Speed

Customer Request:

When the paint is started the road speed should be limited to 10 mph. When the set button is pressed, the vehicle should jump to a set speed of 8 mph.

Wiring:

12 V to PTO input when paint is started.

Settings

This is basically a combination of the above two examples.

PTO 1	PTO 2	Road speed limit value for PTO	8 mph
VECU – P1TQ2	VECU – P1TRJ		

VECU:-

This is the road speed limit. Note that for software for VECU also has the same effect as parameters P1VT1 and P1VT6 in that control will drop out when the speed is reached. P1VT1 and P1VT6 are otherwise normally out of the way at 10 mph. For VECU P1TRJ will not affect drop out of speed control.

PTO 1	PTO 2	PTO road speed limit activation	1= On
VECU – P1TQ2	VECU – P1TRJ		

This makes the PTO road speed limit active.

PTO 1	PTO 2	Enable parking brake cond for High Idle	0= Off
VECU – P1SXO	VECU – P1SXO		

This allows control regardless of park brake condition. Note this also affects hand throttle and other PTO controls.

PTO 1	PTO 2	Enable "Jump to min engine speed" for PTO	1= On
VECU – P1TQU	VECU – P1TRD		

This allows the engine speed to "jump" to the "resume speed" P1VTG when the set button is pressed.

PTO 1	PTO 2	Engine speed control, re-suspend engine speed (speed selector 0)	1292 rpm
VECU – P1VTG	VECU – P1V5K		

This is the speed that the rpm will jump to when the set button is pressed.

The engine speed can be figured from the Road speed, the ratio of the transmission gear to be used and the desired road speed. Set speed will only be correct in that gear.

$$\text{RPM} = (\text{parameter MH}) * (\text{transmission gear ratio}) * (\text{desired Road speed}) / (16 * 60)$$

Take note that the units for MH and the road speed should both be either miles or kilometers. The last factor is 16 shaft pulses per rev and 60 min/h.

For example: MH = 181919 pulses/km transmission gear ratio = 5.33 (T310M 2-low) desired Road speed = 8 mph = 12.8 km/h
 $\text{RPM} = 18191 * 5.33 * 12.8 / (16 * 60) = 1292 \text{ RPM}$

Dump Truck – Configuring “Hand Throttle” PTO 0

Customer Request:

When the lift drive is connected the rpm should be limited to 1100 rpm. At that time the rpm should increase to 800 rpm. The accelerator pedal shall be disabled but the rpm can be raised using the Accel/Decel buttons up to the limit. A fast button response is desirable. The controls should be disabled unless the truck is parked. There is no feedback from the drive so the operator will use the cruise buttons to activate this control.

Wiring: None

Therefore “hand throttle” PTO 0 will be the lift drive control.

Settings

VECU = P1TQC	Disable accelerator pedal for engine speed control PTO 0	2 = Gas pedal ignored
This disables the throttle pedal while a set speed is active.		
VECU = P1VTR	Maximum engine speed for the engine speed control PTO 0	1100 RPM
This is the maximum speed.		
VECU = P1SXP	Engine speed control activation on Min-Max engine speed	0 = Off
This keeps engine speed control from “dropping out” when the maximum speed AND is reached.		
VECU = P1TQQ	Enable “jump to min engine speed” for PTO 0	1= On
VECU: This allows the engine speed to “jump” to the “resume speed” P1VTF when engine speed control is activated.		
VECU = P1VTF	Resume or target engine speed for PTO 0	800 rpm
This is the initial target engine speed.		
VECU = P1TP8	Engine speed control trim ramp up	250 rpm/s
VECU = P1TP8	Engine speed control trim ramp down	250 rpm/s
These increase the ramp rate for button control while the Accel/Decel button is held. Note that this doesn’t affect the jump-to speed. otherwise = 50 rpm/s		

VECU = P1TQD	Engine speed control step down factor (PTO 0)	100 rpm
VECU = P1TP8	Engine speed control step up rpm (PTO 0)	100 rpm

These are how far the RPM jumps if the Accel/Decel button is stabbed.

Brake and speed settings can be left at factory settings since they will disable control if the vehicle does not have the park brake set. It will drop out of control if the brake or clutch is pressed.

Trash Container Truck – Limits for PTO

Customer Request:

When the hydraulic pump is active the RPM should be limited to 1600 rpm. The truck may need to move up to 5 mph at times and in other situations would be parked and the Accel/Decel buttons would be remotely activated. These should work independently of the Cruise On/Off button position.

Wiring:

12 V to the PTO pin while the hydraulic pump is running.

Settings:

PTO 1	PTO 2	Enable parking brake cond for high idle	0=Off
VECU = <i>P1SXO</i>	VECU = <i>P1SXO</i>		

This allows control regardless of park brake condition. Note this also affects hand throttle and other PTO controls.

PTO 1	PTO 2	Engine speed control PTO, Max engine speed	1600 rpm
VECU = <i>P1UWV</i>	VECU = <i>P1V5K</i>		

This is the RPM limit.

PTO 1	PTO 2	Engine speed control activa- tion on Min-Max engine speed	0 = Off
VECU = <i>P1SXP</i>	VECU = <i>P1SXP</i>		

This keeps engine speed control from “dropping out” when the maximum speed BXU is reached.

This affects all engine speed control.

PTO 1	PTO 2	Enable activation of engine speed control by engaging PTO	1=On
VECU = <i>P1TQX</i>	VECU = <i>P1TRF</i>		

This allows engine speed control to start based on PTO input regardless of cruise on/off setting.

PTO 1	PTO 2	Enable cruise button for en- gine speed of PTO	1=On
VECU = <i>P1TQV</i>	VECU = <i>P1TRE</i>		

This allows the set+/decel- button to change engine set speed while PTO is on independent of the Cruise On/Off.

Two Speed Control for Driveshaft PTO

Customer Request:

A concrete pump on a driveshaft PTO needs to run at 1200 rpm while in 9th gear but 1000 rpm in 10th gear. Road speed must be disabled in either gear.

Wiring:

12 V to the PTO 1 pin while the hydraulic pump is running.

Settings:

VECU = P1TQX	Enable activation of engine speed control by engaging PTO 1	1=On
This allows engine speed control to start based on PTO 1 input regardless of cruise on/off setting.		
VECU = P1TRF	Enable activation of engine speed control by engaging PTO 2	1=On
This allows engine speed control to start based on PTO 2 input regardless of cruise on/off setting.		
VECU = P1TQV	Enable cruise button for engine speed of PTO 1	0=Off
This disables the set+/decel- buttons which allows the "default resume speed" to be the set speed.		
VECU = P1TRE	Enable cruise button for engine speed of PTO 2	0=Off
This disables the set+/decel- buttons which allows the "default resume speed" to be the set speed.		
VECU = P1VTG	Engine speed control PTO1, resume engine speed (speed selector 0)	1000 rpm
This is the speed that the rpm will jump to when PTO 1 is active.		
VECU = P1V5K	Resume engine speed PTO 2	1200 rpm
This is the speed that the rpm will jump to when PTO 2 is active.		
VECU = P1UWV	Engine speed control PTO 1, Max engine speed	1000 rpm
This is the RPM limit when PTO 1 is active.		
VECU = P1SXP	Engine speed control activation on Min-Max engine speed	0 = Off
VECU: This keeps engine speed control from "dropping out" when the maximum speed P1UWV is reached.		
VECU = P1WHS	PTO priority	0 = PTO 1 then 2
VECU: This makes PTO 1 limits apply when PTO 1 and 2 are on at the same time. i.e., PTO speed will be limited to 1000 by P1UWV.		

VECU = P1SXQ	Enable drive shaft PTO on PTO 2	1= On
This sets vehicle speed broadcast to 0 which stops odometer increase while Park brake is set, ABS road speed is 0 and PTO 2 input is active. This works based on PTO 2 regardless of PTO 1.		

Rolling Start for mDRIVE: New Generation AMT-F



W9118175

Certain dump trucks are used to re-fill a road paver's hopper throughout the paving process. In this case, the paver pushes the dump truck. When the dump truck needs to move away from the paver, it is important that it does not cause the paver to change speed or the paver will leave a ripple in the road surface. Rolling Start allows the driver to go from neutral to drive without first applying the brake.

Rolling Start is **not** enabled by default. To enable Rolling Start, use Premium Tech Tool to toggle the desired parameter below.

Rolling Start can be enabled via the parameter (P1OM4 = True) setting in Premium Tech Tool (PTT). If the parameter (P1OM4) is not visible in Premium Tech Tool, contact Body Builder Support @ 877-770-7575.

Operating Instructions — When a truck is being pushed in neutral, hold the + button for two seconds while in neutral, and then let go. Move the gear selector from neutral to drive, at this point you can choose the start gear. This will override the brake interlock, when you step on the throttle you will be able to accelerate without braking. Every time you want to override the brake interlock the same action will be taken, because the instant the truck moves forward into drive the brake interlock will be re-engaged. This can only be done with a premium shifter.

Parameter	Value	Effect	Result
P1OM4	TRUE	Deactivates brake interlock	Vehicle can go from neutral to drive without brake application (Rolling Start enabled).
P1OM4	FALSE	Activates brake interlock	The brake is required to go from neutral to drive. (Roller Start disabled.)

mDRIVE Auto Neutral

Auto neutral is now available on vehicles equipped with GHG 2017 engines and the new “F” generation mDRIVE. This feature is offered on the following Mack mDRIVE transmissions:

- mDRIVE (Standard)
- mDRIVE for Severe Duty
- mDRIVE with Crawler Gears

Auto neutral will put the mDRIVE transmission into neutral when the parking brake is set. Once the park brake is released, the shifter will need to be placed in either drive (D) or reverse (R) for the transmission to go back into gear. Auto neutral improves jobsite safety for a variety of applications such as mixers where remote throttle is often utilized.

Auto neutral can be enabled via the parameter (P1NFD = True) setting in Premium Tech Tool (PTT). If the parameter (P1NFD) is not visible in Premium Tech Tool contact Body Builder Support @ 877-770-7575.

Standard Settings

The following are VECU settings if no alternate PTO options are selected. These are the settings assumed from which the above examples start. These allow a cruise button control of engine speed in any PTO including PTO 0/“hand throttle”. Control will only work while the park brake is set. Brake or clutch pedal applications will dropout control.

VECU: Standard Settings				
MID	VECU Parameter ID	Name	Default Value	Unit
144	P1BEW	Cruise control	1	
144	P1BXX	Cruise control max speed	130	km/h
144	P1TPI	Idling automatic shut-off	0	
144	P1VTR	Maximum engine speed for the engine speed control PTO 0	2500	r/min
144	P1VTF	Resume or target engine speed for PTO 0	1000	r/min
144	P1VTP	High idle/PTO 0 min engine speed	500	r/min
144	P1STP	Cruise control Trim step, resume	2	km/h/s
144	P1SXO	Enable parking brake cond for High Idle	0	
144	P1S6T	Enable second speed axle	0	
144	P1BXY	Cruise control Min set speed	30	km/h
144	P1BYF	Cruise control Min speed to resume	15	km/h
144	P1SXN	Enable engine speed control	1	
144	P1WHS	PTO priority	2	
144	P1TP8	Engine speed control trim ramp up	50	r/min/s
144	P1TP8	Engine speed control trim ramp down	50	r/min/s
144	P1TQD	Engine speed control Step Down Factor (PTO0)	50	r/min
144	P1VTG	Engine speed control PTO1, resume engine speed (speed selector 0)	600	r/min
144	P1UWV	Engine speed control PTO1, Max engine speed	2500	r/min
144	P1UW4	Engine speed control PTO1, Min engine speed	500	r/min

VECU: Standard Settings				
MID	VECU Parameter ID	Name	Default Value	Unit
144	P1TQR	Enable cruise buttons for engine speed mode (PTO 0)	1 (On if CC Enable active)	
144	P1VTL	Engine speed control PTO1, activation condition, max VS	12	km/h
144	P1VTK	Max VS to activate PTO 0 engine speed Control	16	km/h
144	P1VT5	Engine speed control PTO 1, de-activation condition, min VS	12	km/h
144	P1VT4	Max VS to deactivate PTO0 engine speed control	250	km/h
144	P1TP5	Engine speed control PTO 0, activation cond. on brakes	2	
144	P1TQX	Engine speed control PTO1, activation condition on brakes	2	
144	P1TP6	Enable brake pedal cond for PTO 0 deactivation	2	
144	P1TQY	Enable brake pedal cond for PTO 1 deactivation	2	
144	P1SZD	Enable secured neutral cond for PTO 0 activation	0	
144	P1SZD	Enable secured neutral cond for PTO 1 activation	0	
144	P1SZE	Enable secured neutral cond for PTO 0 deactivation	0	
144	P1SZE	Enable secured neutral cond for PTO 1 deactivation	0	
144	P1BT7	Enable clutch cond for PTO 1 activation	0	
144	P1BT7	Engine speed control PTO 0, activation condition on clutch	0	
144	P1TQY	Enable clutch cond for PTO 1 deactivation	0	
144	P1TP6	Enable clutch cond for High Idle/PTO 0 deactivation	2	
144	P1TTH	Max VS to activate PTO 1	2	km/h
144	P1R9F	Clutch delay before cruise deactivation	5	s
144	P1SAI	Cruise reference speed mode	0	s
144	P1GJJ	Default cruise reference speed	0	km/h
144	P1SEM	Enable velocity limit for power down	0	
144	P1SJH	Enable RSL 2	0	
144	P1SJI	Enable RSL 3	0	
144	P1SLD	Enables the function remote engine stop Note: Engine stop from chassis via J1939 message.	1	
144	P1SLC	Enable engine start from chassis	0	
144	P1SL5	Engine stop demand filter time	1.0	s
144	P1EK5	Max VS to activate remote engine stop	5	km/h
144	P1SEP	Time delay before power down	6	s
144	P1SMB	Air conditioning installed	0	
144	P1HDG	Time before push is seen as a ramp	0.25	s

VECU: Standard Settings				
MID	VECU Parameter ID	Name	Default Value	Unit
144	P1SVI	Brake cruise control, default speed	1792	
144	P1SXG	Max vspd for activation of PTO 0.1	12	km/h
144	P1SXH	Min vspd for deactivation of PTO 0.1	12	km/h
144	P1BTS	Ramp up value at increased engine speed for PTO 1	100	r/min/s
144	P1BTR	Ramp down value at decreased engine speed for PTO 1	100	r/min/s
144	P1YJK	Speed sensor tamper detection	0	
144	P1S8D	Speed sensor tamper detection torque limit	50	%
144	P1R2P	Accelerator pedal calibration required	0	
144	P1SMU	Allow manual cooling fan act, vehicle moving	0	
144	P1SMU	Allow manual cooling fan activation vehicle parked	0	
144	P1SMW	Enable cooling fan activation from PTO	0	
144	P1SMU	Extended cooling fan time when AC is active	0	
144	P1TQC	Disable accelerator pedal for engine speed control PTO 0	0	
144	P1TQ4	Disable accelerator pedal for engine speed control PTO 1	0	
144	P1TRL	Disable accelerator pedal for engine speed control PTO 2	0	
144	P1TRZ	Disable accelerator pedal for PTO 3	0	
144	P1TQP	Enable engine speed limit when PTO active (PTO 0)	0	
144	P1SVA	Enable brake cruise	Enabled switch / stalk dependent / 1	
144	P1TQ2	Road speed limit value for PTO 1	161	km/h
144	P1TRJ	Road speed limit value for PTO 2	161	km/h
144	P1TRX	Road speed limit value for PTO 3	161	km/h
144	P1TSF	Road speed limit value for PTO 4	161	km/h
144	P1SJL	Road speed limit with air suspension lowered	24	km/h
144	P1SJD	Enable air suspension road speed limit	0	
144	P1SJF	Enable drive shaft speed limit	0	
144	P1SNX	Enable the Smart Engine Idle function	0	
144	P1BXN	Differential lock control enable	0	
144	P1SBZ	Disable or enable the different modes in DRL.	0	
144	P1SB0	Vehicle speed threshold for DRL	24	km/h
144	P1SB3	Override timer for DRL	300	s
144	P1SB3	Adjustable interrupt timer for DRL	10	s
144	P1SJP	Filter time for changing state of RSL 2	30	s

VECU: Standard Settings				
MID	VECU Parameter ID	Name	Default Value	Unit
144	P1SJQ	Filter time for changing state of RSL 3	30	s
144	P1SEQ	Enable low voltage disconnect	0	
144	P1SE5	Enable wireless download	0	
144	P1SEO	Power down torque limitation percentage	0	%
144	P1SEN	Power down +velocity limitation	5	km/h
144	P1TRI	Trim factor at increased set engine speed for PTO 2	0	r/min/s
144	P1TRW	Trim factor at increased set engine speed for PTO 3	0	r/min/s
144	P1TSE	Trim factor at increased set engine speed for PTO 4	0	r/min/s
144	P1TRI	Trim factor at decreased set engine speed for PTO 2	0	r/min/s
144	P1TRW	Trim factor at decreased set engine speed for PTO 3	0	r/min/s
144	P1TSE	Trim factor at decreased set engine speed for PTO 4	0	r/min/s
144	P1BTU	Trim factor at engine speed trim ramp up for PTO 2	50	r/min/s
144	P1BTW	Trim factor at engine speed trim ramp up for PTO 3	50	r/min/s
144	P1BTY	Trim factor at engine speed trim ramp up for PTO 4	50	r/min/s
144	P1BTT	Trim factor at engine speed trim ramp down for PTO 2	50	r/min/s
144	P1BTV	Trim factor at engine speed trim ramp down for PTO 3	50	50
144	P1BTX	Trim factor at engine speed trim ramp down for PTO 4	50	r/min/s
144	P1IZB	Engine speed step up factor for PTO 1	50	r/min
144	P1UXA	Engine speed step up factor for PTO 2	50	r/min
144	P1IZD	Engine speed step up factor for PTO 3	50	r/min
144	P1IZD	Engine speed step up factor for PTO 4	50	r/min
144	P1IZH	Engine speed step down factor for PTO1	50	r/min
144	P1UXA	Engine speed step down factor for PTO 2	50	r/min
144	P1IZ	Engine speed step down factor for PTO 3	50	r/min
144	P1IZK	Engine speed step down factor for PTO 4	50	r/min
144	P1V5K	Resume engine speed PTO 2	600	r/min
144	P1V5L	Resume engine speed PTO 3	600	r/min
144	P1VTJ	Resume engine speed PTO 4	600	r/min
144	P1TQT	PTO1 engine speed limit activation	0	
144	P1TQT	PTO2 engine speed limit activation	0	
144	P1TRQ	PTO3 engine speed limit activation	0	
144	P1TR5	PTO4 engine speed limit activation	0	
144	P1UW0	Max engine speed for PTO 2	2100	r/min
144	P1UWY	Max engine speed for PTO 3	2500	r/min
144	P1UWZ	Max engine speed for PTO 4	2500	r/min

VECU: Standard Settings				
MID	VECU Parameter ID	Name	Default Value	Unit
144	P1UW0	Min engine speed for PTO 2	500	r/min
144	P1UW1	Min engine speed for PTO 3	500	r/min
144	P1UW3	Min engine speed for PTO 4	500	r/min
144	P1TQV	Enable cruise button for engine speed of PTO 1	1	
144	P1TRE	Enable cruise button for engine speed of PTO 2	1	
144	P1TRS	Enable cruise button for engine speed of PTO 3	2	
144	P1TR7	Enable cruise button for engine speed of PTO 4	2	
144	P1TRB	Acc pedal cond for PTO 2 activation	0	
144	P1TRP	Acc pedal cond for PTO 3 activation	0	
144	P1TR4	Acc pedal cond for PTO 4 activation	0	
144	P1TRA	Acc pedal cond for PTO 2 deactivation	0	
144	P1TRO	Acc pedal cond for PTO 3 deactivation	0	
144	P1TR3	Acc pedal cond for PTO 4 deactivation	0	
144	P1VT1	Max vspd for activation of PTO 2	12	km/h
144	P1VT2	Max vspd for activation of PTO 3	12	km/h
144	P1VT3	Max vspd for activation of PTO 4	12	km/h
144	P1VT6	Min vspd for deactivation of PTO 2	12	km/h
144	P1VT7	Min vspd for deactivation of PTO 3	12	km/h
144	P1VT8	Min vspd for deactivation of PTO 4	12	km/h
144	P1TRF	Enable brake pedal cond for PTO 2 activation	2	
144	P1TRT	Enable brake pedal cond for PTO 3 activation	2	
144	P1TSA	Enable brake pedal cond for PTO 4 activation	2	
144	P1TRG	Enable brake pedal cond for PTO 2 deactivation	2	
144	P1TRU	Enable brake pedal cond for PTO 3 deactivation	2	
144	P1TSB	Enable brake pedal cond for PTO 4 deactivation	2	
144	P1SZD	PTO2 activation neutral condition	0	
144	P1SZD	PTO3 activation neutral condition	0	
144	P1SZD	PTO4 activation neutral condition	0	
144	P1SZE	PTO2 deactivation neutral condition	0	
144	P1SZE	PTO3 deactivation neutral condition	0	
144	P1SZE	PTO4 deactivation neutral condition	0	
144	P1BT7	Enable clutch cond for PTO 2 activation	0	
144	P1BT7	Enable clutch cond for PTO 3 activation	0	
144	P1BT7	Enable clutch cond for PTO 4 activation	0	
144	P1TRG	Enable clutch cond for PTO 2 deactivation	0	
144	P1TRU	Enable clutch cond for PTO 3 deactivation	0	

VECU: Standard Settings

MID	VECU Parameter ID	Name	Default Value	Unit
144	P1TSB	Enable clutch cond for PTO 4 deactivation	0	
144	P1TQX	Enable activation of engine speed control by engaging PTO 1	0	
144	P1TRF	Enable activation of engine speed control by engaging PTO 2	0	
144	P1TRT	Enable activation of engine speed control by engaging PTO 3	0	
144	P1TSA	Enable activation of engine speed control by engaging PTO 4	0	
144	P1TSH	Disable accelerator Pedal for PTO 4	0	
144	P1TP7	Enable brake cond for PTO 0 temp dropout	2	
144	P1TQ0	Enable brake cond for PTO 1 temp dropout	2	
144	P1TRH	Enable brake cond for PTO 2 temp dropout	2	
144	P1TRV	Enable brake cond for PTO 3 temp dropout	2	
144	P1TSD	Enable brake cond for PTO 4 temp dropout	2	
144	P1TP7	Enable clutch cond for PTO 0 temp dropout	0	
144	P1TQ0	Enable clutch cond for PTO 1 temp dropout	0	
144	P1TRH	Enable clutch cond for PTO 2 temp dropout	0	
144	P1TRV	Enable clutch cond for PTO 3 temp dropout	0	
144	P1TSD	Enable clutch cond for PTO 4 temp dropout	0	
144	P1TP7	Enable CDS cond for PTO 0 temp dropout	0	
144	P1TQ0	Enable CDS cond for PTO 1 temp dropout	0	
144	P1TRH	Enable CDS cond for PTO 2 temp dropout	0	
144	P1TRV	Enable CDS cond for PTO 3 temp dropout	0	
144	P1TSD	Enable CDS cond for PTO 4 temp dropout	0	
144	P1TP6	Enable CDS cond for PTO 0 temp dropout	0	
144	P1TQY	Enable CDS cond for PTO 1 dropout	0	
144	P1TRG	Enable CDS cond for PTO 2 dropout	0	
144	P1TRU	Enable CDS cond for PTO 3 dropout	0	
144	P1TSB	Enable CDS cond for PTO 4 dropout	0	
144	P1SXQ	Enable Drive Shaft PTO on PTO2	0	
144	P1SYE	Engine speed control Hold To Nearest RPM Activation	0	
144	P1TQF	"Hold to nearest" step value for PTO 0	50	r/min
144	P1TQ6	"Hold to nearest" step value for PTO 1	50	r/min
144	P1TRN	"Hold to nearest" step value for PTO 2	50	r/min
144	P1TR1	"Hold to nearest" step value for PTO 3	50	r/min
144	P1TSJ	"Hold to nearest" step value for PTO 4	50	r/min

VECU: Standard Settings				
MID	VECU Parameter ID	Name	Default Value	Unit
144	P1SXP	Engine speed control Activation on Min-Max Engine Speed	0	
144	P1SXU	Enable CC Set+ as cond for engine speed control activation	1	
144	P1SXL	engine speed control Dropout Activation	0	
144	P1TQQ	Enable "jump to min engine speed " for PTO 0	0	
144	P1TQU	Enable "jump to min engine speed " for PTO 1	0	
144	P1TRD	Enable "jump to min engine speed " for PTO 2	0	
144	P1TRR	Enable "jump to min engine speed " for PTO 3	0	
144	P1TR6	Enable "jump to min engine speed " for PTO 4	0	
144	P1SKR	Enable PTO 3 enable switch	0	
144	P1SKS	Enable PTO 4 enable switch	0	
144	P1B72	Second accelerator pedal installed	0	
144	P1SOV	Idle shutdown warm-up temperature	480	
144	P1SOP	Idle shutdown warm-up timer	300	s
144	P1K6B	Enable theft deterrent	0	
144	P1SMI	Enable Idle cool down	0	
144	P1TQ2	PTO1 road speed limit activation	0	
144	P1TRJ	PTO2 road speed limit activation	0	
144	P1TRX	PTO3 road speed limit activation	0	
144	P1TSF	PTO4 road speed limit activation	0	
144	P1F09	Parking brake buzzer mode	0	
144	P1TP5	PTO 0 Min, enable engine speed	0	r/min
144	P1SQY	Enable min engine speed condition to activate PTO 1	0	
144	P1SAT	Cruise trim factor plus	2	km/h/s
144	P1S8B	Allowed relative ABS speed deviation	39	%
144	P1SJNI	Limit value for PDLO RSL	24	km/h
144	P1SJJG	Enable PDLO road speed limit	0	
144	P1SMX	Time delay before fan act upon APM compressor req	20	s
144	P1S8C	Vehicle speed factor	16667	
144	P1SJV	PTO basic function enable	1	
144	P1SAS	Cruise trim factor, minus	2	km/h/s
144	P1HED	Cruise step factor	2	km/h
144	P1TQD	Engine speed control step up rpm (PTO 0)	50	r/min
144	P1UVZ	Qualified idle threshold time	120	s
144	P1C0K	LOV engine over load Thrs	90	%

VECU: Standard Settings				
MID	VECU Parameter ID	Name	Default Value	Unit
144	P1SQY	Parking brake condition to activate PTO 1	0	
144	P1U7N	Snapshot data enabled	0	
144	P1SKO	Type of PTO (Transm. #1)	3	
144	P1SXO	Enable brake pedal cond for High Idle	1	

Installation of Single and Double PTOs on mDRIVE Generation F Transmissions

With the release of GHG 2017, the mDRIVE Generation "F" was introduced into production. With the new transmission, there are several changes that will affect the PTO set-up and operation.

PTO 1 and 2 is controlled by the new VECU5. No body builder module is offered.

On trucks ordered with a Single or Double PTO or PTO Prep Kit, only Customer Parameters will be required after PTO installation.

Trucks ordered without a Single PTO or PTO Prep Kit; software accessory kit, 85137335 will need to run using the Premium Tech Tool (PTT) after the PTO has been installed.

Trucks ordered without a Double PTO or PTO Prep Kit will require software accessory kit 85151840 will need to run using the Premium Tech Tool after the PTO has been installed.

Split Shaft PTO Functionality with mDRIVE HD Transmissions

Factory builds as of November 13, 2017 and after have Split Shaft PTO functionality available. This programming enables the mDRIVE HD transmission to be used in applications requiring "Split Shaft" PTO to provide high horsepower and torque input. This is a common requirement for the Concrete Pumps, Vacuum Body or High Pressure Liquid Transfer applications.

This new functionality also allows transmission start in **7th thru 12th** gears and shift to a desired continuous operation gear of 11th or 12th. This is useful if the application has a high moment of inertia.

This programming can be enabled locally using the Premium Tech Tool. This feature is not a factory selectable option. It is not an MSS selectable option.

Accessory Kit Part No. 85151005 will program the TECU and VECU for Splitbox Functionality.

Any truck with F - Series mDRIVE HD transmission built prior to the above date can also have this functionality by updating the VECU and TECU software.

Assistance from Body Builder Support Group would be required to perform the update.

Functionality and Software Parameter Flexibility (Premium Shift Pad is required for some):

- P1ISL. Select Start Gears (7 – 12) with Split Shaft PTO engaged. Gear changing is done using the plus (\pm) button with the gear lever in position “M”.
- P1P04. Automatic Upshift Minimum Engine Speed Limit. Transmission will start on selected split shaft start gear. When engine speed reach parameter value, transmission will upshift to next gear. Transmission will upshift automatically until direct drive gear. If the parameter value is set to maximum, manual upshifts can be done with the upshift button. Automatic upshift will be used for starting high mass equipment like wood chippers that can not start on direct drive gear.
- P1NL8. **Lowest gear for continuous split shaft operation (7 – 12).** Gear 11 for overdrive transmissions and Gear 12 for direct drive transmission recommended since 1:1 gear ratio provides strongest gear and lowest friction loss. Gear shifting is done using the plus (\pm) button with the gear lever in position “M”.
- mDRIVE PTO. If gearbox PTO is requested, PTO will engage when reaching direct drive gear.

mDRIVE Split - Shaft (formally Drive shaft PTO)

To Setup and Enable Split - Shaft Functionality Run Accessory Kit Part No. 85151005

Split - Shaft Functionality is primarily used for High PTO Loads such as Concrete Pumps, VAC Trucks, Hydro Excavators, and other specialty-use vehicles.

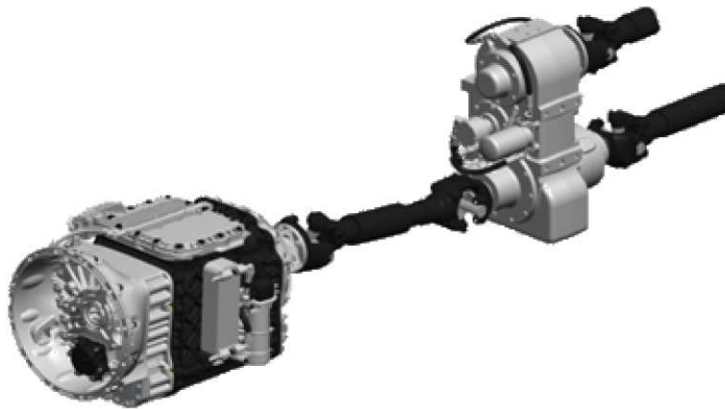
For Split - Shaft (Drive shaft PTO) set the following parameters after Running the Accessory Kit and Calibrating the Transmission and Clutch.

Level	Parameter Code	Value	Description
4	P1JED ¹	1	The PTO is Drive Shaft PTO
4	VECU: P1SKO	1	Type of PTO (Trans # 1)
4	VECU: P1SJT	1	Activate PTO output from VECU
4	VECU: P1SXC	1	Park brake switch, PTO Exit Condition
4	VECU: P1SXB	0	ABS Vehicle Speed Condition, Enable
2	P1APB ²	1	APF - ENH Enable (Parameter set with Accessory Kit)
4	P1ISL ²	11	Select Start Gear (7 –12)
4	P1NL8 ²	11	Lowest Gear for Continuous Split - Shaft Operation (7 –12)

1 EMS Parameter

2 TECU Parameter

The Parameters above require some tweaking depending on the Application.



W9132851

Any Questions Please Contact Mack Trucks Body Builder Support Group at **877-770-7575**